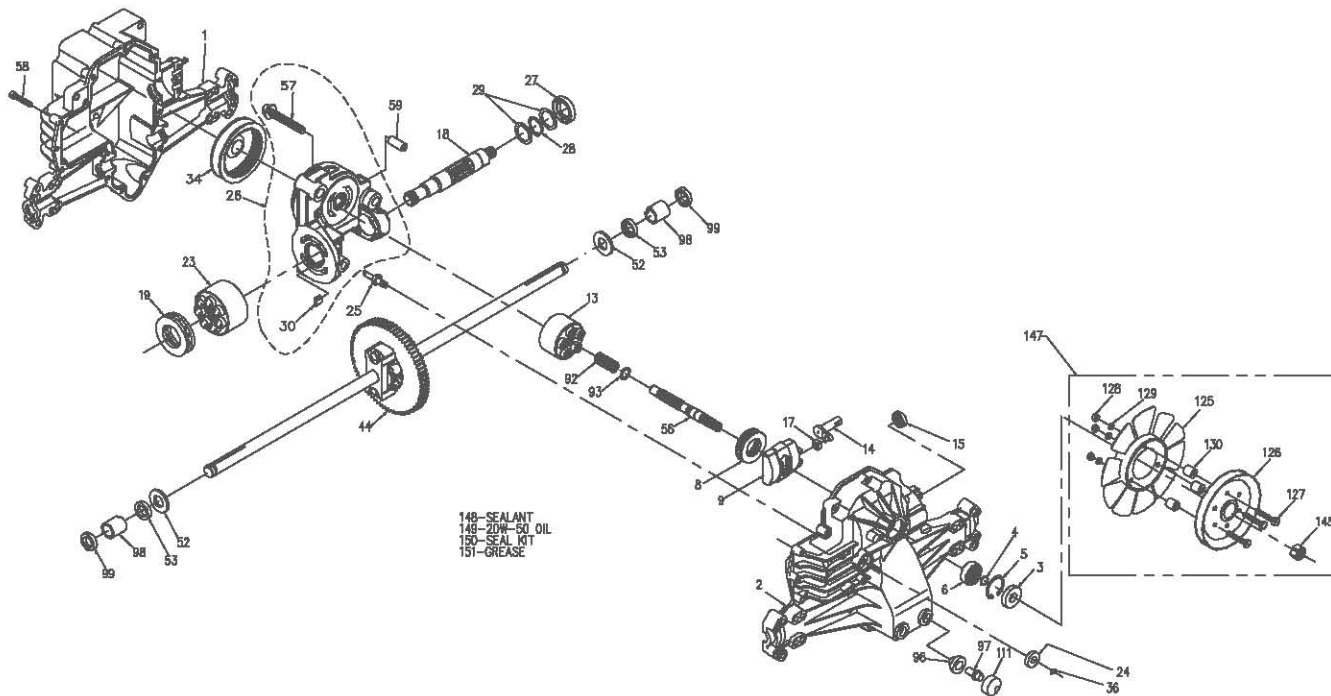


D48001
325-0500



D48001
325-0500

| ITEM NO | HYDRO-GEAR PART NO | QTY | DESCRIPTION | ITEM NO | HYDRO-GEAR PART NO | QTY | DESCRIPTION |
|---------|--------------------|-----|--------------------------|---------|--------------------|------|-----------------------------|
| 1 | 44863RM | 1 | HOUSING, LOWER | 44 | 70126 | 1 | DIFFERENTIAL ASSEMBLY |
| 2 | 70124 | 1 | ASSEMBLY, UPPER HOUSING | 2 | | 2 | AXLE SHAFT |
| | | 1 | UPPER HOUSING | 1 | | 1 | 72T DIFFERENTIAL GEAR |
| | | 1 | TRUNNION JOURNAL BEARING | 2 | | 2 | DIFFERENTIAL HOUSING |
| | | 2 | CRADLE BEARING | 2 | | 2 | 14T BEVEL GEAR |
| 3 | 9008000-0128 | 1 | SEAL-LIP | 2 | | 2 | 10T PLANET GEAR |
| 4 | 2003016 | 1 | RING-WIRE RETAINING | 2 | | 2 | RETAINING RING |
| 5 | 2003052 | 1 | RING-RETAINING | 2 | | 2 | DIFFERENTIAL LOCKING BOLT |
| 6 | 2003043 | 1 | BEARING-SHAFT BALL | 1 | | 1 | DIFFERENTIAL SPACER |
| 8 | 50551 | 1 | BEARING-THRUST 30X52X13 | 52 | 44875 | 2 | WASHER-3/4 X 1.5 X .13 |
| 9 | 2003087 | 1 | SWASHPLATE-VARIABLE | 53 | 45076 | 2 | SEAL- .75 X 1.25 X .250 |
| 13 | 70331 | 1 | BLOCK-CYLINDER ASS'Y. | 56 | 50005 | 1 | SHAFT-INPUT |
| | | 1 | BLOCK-CYLINDER | 57 | 50016 | 3 | BOLT, 3/8-24 X 2.5 |
| | | 5 | PISTON | 58 | 44876 | 20 | BOLT- 1/4-20 X 1.38 |
| | | 5 | PISTON SPRING | 59 | 50002 | 2 | PIN- .5 OD X .43 ID X .750 |
| | | 5 | PISTON SPRING WASHER | 92 | 2003014 | 1 | SPRING, BLOCK |
| 14 | 2003005 | 1 | ARM-TRUNNION | 93 | 2003017 | 1 | WASHER, BLOCK THRUST |
| 15 | 9008000-0126 | 1 | SEAL-LIP | 96 | 50133 | 1 | BUSHING, VENT |
| 17 | 2000015 | 1 | GUIDE-SLOT | 97 | 50134 | 1 | VENT |
| 18 | 50449 | 1 | SHAFT-MOTOR | 98 | 50137 | 2 | SLEEVE BEARING |
| 19 | 50552 | 1 | BEARING-THRUST 42X68X16 | 99 | 50941 | 2 | SEAL, LIP .75 X 1.00 X .158 |
| 23 | 70608 | 1 | BLOCK-CYLINDER ASS'Y. | 111 | 50196 | 1 | VENT CAP |
| | | 1 | BLOCK-CYLINDER | 125 | 50307 | 1 | FAN |
| | | 7 | PISTON | 126 | 51173 | 1 | PULLEY |
| | | 7 | PISTON SPRING | 127 | 44276 | 3 | SCREW, 1/4-20 X 1-1/2 |
| | | 7 | PISTON SPRING WASHER | 128 | 43178 | 3 | NUT, 1/4-20 |
| 24 | 45074 | 1 | SEAL-LIP 10X25X7 | 129 | 43177 | 3 | LOCK WASHER |
| 25 | 2003555 | 1 | ACTUATOR-BYPASS | 130 | 50259 | 3 | SPACER |
| 26 | 70494 | 1 | KIT, CENTER SECTION | 145 | 44133 | 1 | HEX NUT 1/2-20 (PATCH) |
| | | 1 | PLATE, BYPASS | 147 | 70418 | 1 | FAN/PULLEY KIT |
| | | 2 | CHECK PLUG ASSEMBLY | | | 1 | FAN |
| | | 1 | CENTER SECTION | | | 1 | PULLEY |
| | | 2 | BUSHINGS | | | 3 | SCREW, 1/4-20 X 1-1/2 |
| | | 3 | BOLT, 3/8-24 X 2.5 | | | 3 | NUT, 1/4-20 |
| 27 | 45075 | 1 | SEAL-LIP 26X42X8 | | | 3 | LOCK WASHER |
| 28 | 50007 | 1 | RING-RETAINING | | | 3 | SPACER |
| 29 | 44872 | 2 | WASHER-26X35X1 | | | 1 | HEX NUT 1/2-20 (PATCH) |
| 30 | 70680 | 1 | KIT, BYPASS PLATE | 148 | 50928 | 1 | SEALANT |
| 34 | 44964 | 1 | OIL FILTER ELEMENT | 149 | | 77oz | 20W-50 OIL |
| 36 | 44870 | 1 | RING-RETAINING | 150 | 70312 | 1 | SEAL KIT |
| | | | | 151 | 50416 | 1 | GREASE |