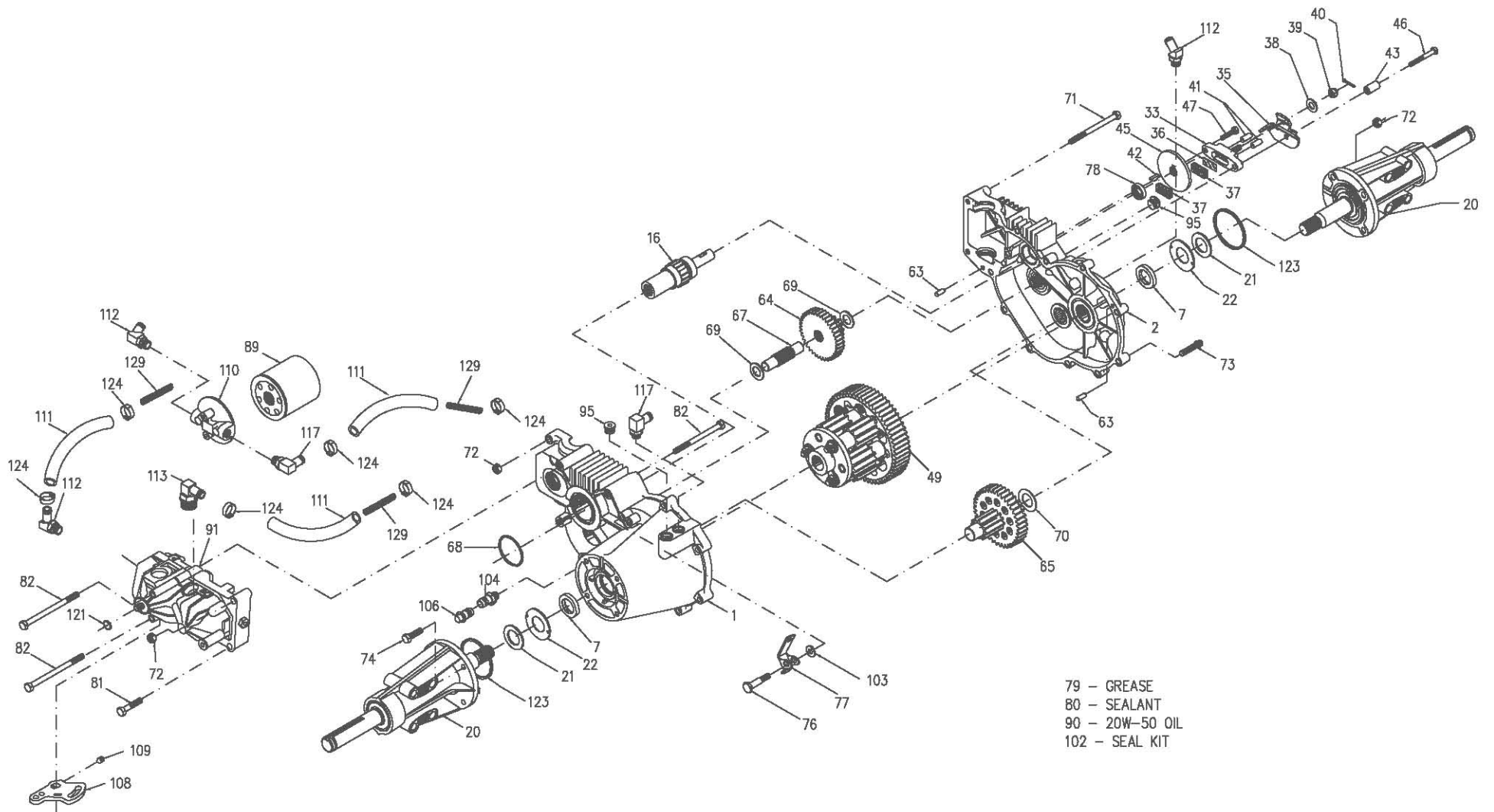


163198
222-3010L



P.1 of 2. 70347-S2

163198
222-3010L

ITEM NO.	HYDRO-GEAR PART NO.	QTY	DESCRIPTION	ITEM NO.	HYDRO-GEAR PART NO.	QTY	DESCRIPTION
1	70365	1	ASSEMBLY, L H HOUSING	63	44757	2	PIN, DOWEL
		1	L H HOUSING	64	44776	1	GEAR, REDUCTION 14T-38T
		1	DISC, THRUST 1-1/8 OD	65	70051	1	FINAL DRIVE PINION ASSEMBLY
		1	BEARING, NEEDLE SCE1412			1	GEAR 38T
		1	BEARING, BALL 25MM X 52MM			1	GEAR 12T
		1	BEARING, NEEDLE - SCH 1012	67	44779	1	SHAFT, JACK
		1	SEAL, OIL .984 X 1.5 X .25	68	44781	1	O-RING
2	70366	1	ASSEMBLY, R H HOUSING	69	44795	2	WASHER, FL 5/8ID X 1-1/4 X .05
		1	HOUSING, R H TRANSAXLE	70	44794	1	WASHER, FL 7/8ID X 1-1/2OD HT
		1	BOLT, RIB NECK 5/16-18	71	44827	2	BOLT, HEX HD 5/16-18 X 3-1/2
		1	WASHER, RUBBER 5/8 OD X .313 ID X .04	72	43083	4	HEX NUT 5/16-18
		1	BEARING, NEEDLE SCE1412	73	50868	11	TORX HEAD SCREW, 5/16-18
		1	BEARING, BALL 25MM X 52MM	74	45089	7	CAP SCREW, HEX 5/16-18 X 1 GR5
		1	BEARING, NEEDLE - SCH 1012				
		1	SEAL, OIL .984 X 1.5 X .25				
7	44782	2	OIL SEAL .984 X 1.5 X .25	76	44785	1	BOLT, SHOULDER
16	62877	1	BRAKE SHAFT ASSEMBLY	77	44786	1	ARM, FREEWHEEL ACTUATING
		1	SHAFT, BRAKE	78	44761	1	SEAL, OIL .625 X 1.0 X .25
		2	BEARING, BALL .62 X 1.38 X .43	79	50416	1	GREASE (10 OZ. TUBE)
		1	GEAR, 17T	80	50928	1	SEALANT
		1	COUPLING	81	43084	1	BOLT, HEX 5/16-18 X 1-3/4 GR 5
20	70087	2	AXLE MOUNTING HORN ASSEMBLY	82	44820	3	BOLT, 5/16-18 X 4-1/2 GR 5
		1	AXLE MOUNTING HORN	89	50037	1	SPIN-ON FILTER
		1	BEARING, 25MM ID (W/ SEALS)	90		66.6oz	20W-50 OIL
		1	WASHER, 1.0 X 1.63 X .08 HT	91	BDU-10L-122	1	BDU-10L-122
		1	WASHER, 1.0 X 2.06 X .09 HT	95	9005110-5600	2	PLUG, STRAIGHT THREAD
		1	SHAFT, AXLE	102	70052	1	SEAL KIT
		1	RING, RETAINING	103	50169	1	WASHER
21	44805	2	WASHER, 1.0 X 1.63 X .08 HT	104	70109	1	CAP VENT ASSEMBLY
22	44806	2	WASHER, 1.0 X 2.06 X .09 HT			1	VENT
33	62589	1	BRAKE YOKE ASSEMBLY			1	CAP
		1	YOKE, BRAKE	106	70110	1	FITTING-O RING ASSEMBLY
		1	BOLT, SQ HD 5/16-24			1	O-RING
35	50214	1	ARM, BRAKE			1	FITTING
36	44134	1	PLATE, PUCK	108	45007	1	CONTROL ARM
37	44132	2	PUCK, BRAKE	109	50018	1	SET SCREW
38	44130	1	WASHER, 7/8OD X 7/16 X .060 HT	110	50207	1	FILTER HEAD
39	44142	1	NUT, SLOTTED HEX	111	50632	3	1/2" HOSE, 12" LONG
40	44101	1	PIN, COTTER	112	50604	3	1/2" BEADED 60° 9/16 SAE FITTING
41	44127	2	PIN, BRAKE ACTUATING	113	50592	1	1/2" BEADED 90° 7/8 SAE FITTING
42	44143	1	KEY, HI-PRO 3/16 X 5/8	117	50589	2	1/2" BEADED 90° 9/16 SAE FITTING
43	50259	1	SPACER	121	2003016	1	WIRE RETAINING RING
45	44090	1	DISC, BRAKE	123	50405	2	O RING
46	44276	1	BOLT, 1/4-20 X 1-1/2	124	50590	6	PINCH CLAMP
47	44433	1	BOLT, 1/4-20 X 1 W/NYLOK GR5	129	50667	3	SPRING, LONG
49	70251	1	DIFFERENTIAL ASSEMBLY				
		2	GEAR, 12T DIFFERENTIAL				
		6	GEAR, 10T PLANET DIFFERENTIAL				
		6	SPACER, DIFFERENTIAL				
		3	SPACER, SHAFT				
		1	DIFFERENTIAL END CAP				
		3	BOLT, 3/8-24 X 4.5 GD8				
		3	NUT, HEX LOCK 3/8-24 GD8				
		3	SHAFT, DIFFERENTIAL				
		1	GEAR, 60T DIFFERENTIAL				



P.2 of 2. 70347-S2