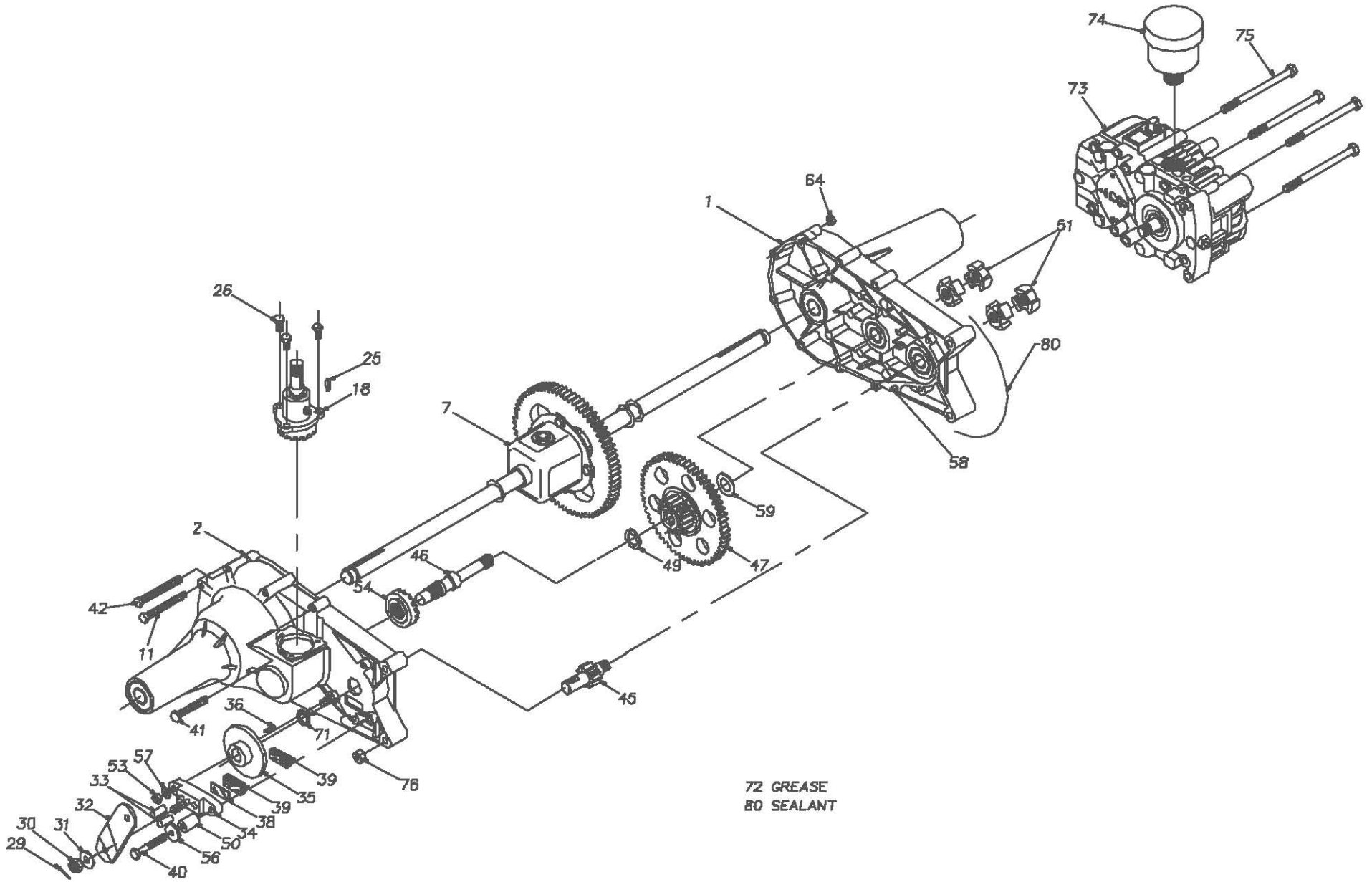



53036
215-1010S




P.1 of 2. 70074-SB

53036
215-1010S

REF	HYDRO-GEAR PART NO	QTY	DESCRIPTION	REF	HYDRO-GEAR PART NO	QTY	DESCRIPTION
1	62781	1	ASSY HOUSING, LH	30	44142	1	NUT, CASTLE 5/16-24
		1	HOUSING, LH	31	44130	1	WASHER, FLAT .343 ID X .88 OD X .062 THK
		2	BALL BEARING, 3/4 ID X 40MM X 12MM	32	44613	1	ARM, BRAKE ACTUATOR
2	62780	2	BALL BEARING, .62 ID X 1.38 X .44	33	44127	2	PIN, BRAKE ACTUATING
		1	ASSY HOUSING, RH	34	62589	1	ASSY BRAKE YOKE
		1	HOUSING, RH			1	SQUARE HEAD BOLT
		2	BALL BEARING, 3/4 ID X 40MM X 12MM			1	BRAKE YOKE
		1	BALL BEARING, .35 OD X 15 ID	35	44090	1	DISC, BRAKE
		1	BALL BEARING, .62 ID X 1.38 X .44	36	44143	1	KEY, HI-PRO 3/16 X 5/8 DIA
7	70040	1	ASSY DIFFERENTIAL (COMPLETE)	38	44134	1	PLATE, PUCK
		1	LH AXLE, 3/4 DIA.	39	44132	2	PUCK, BRAKE
		1	RH AXLE, 3/4 DIA.	40	44300	1	BOLT, HEX W/PATCH 1/4-20 X 2.00 LG
		2	MITER GEAR (SPUNED)	41	44125	4	BOLT, HEX SELF-TAP 1/4-20 X 2.00 LG
		2	HEX JAM NUT, 1/2-20	42	44124	4	BOLT, HEX SELF-TAP 1/4-20 X 3.00 LG
		1	FLANGE BEARING, 3/4 ID X 7/8 OD	45	44083	1	SHAFT, PINION W/11 TOOTH GEAR
		1	DIFFERENTIAL HOUSING	46	44080	1	SHAFT, DRIVE
		1	FLANGE BEARING, 3/4 ID X 1.0 OD	47	62758	1	ASSY REDUCTION GEAR
		1	DIFFERENTIAL GEAR			1	REDUCTION GEAR
		2	MITER GEAR, 1/2 ID			1	NEEDLE BEARING
		1	CROSS SHAFT			1	DOWEL PIN
		2	THRUST BEARING, 1/2 X 1 OD			1	SEAL, 7/8 OD X 5/8 ID X 3/32
		2	RETAINING RING			1	THRUST WASHER
		4	DIFFERENTIAL LOCKING BOLT	49	44371	1	WASHER, FLAT .62 ID X 1.0 OD X .05 THK
11	44806	2	BOLT, 5/16-18 X 3.75 LG	50	23711	1	WASHER, FLAT .62 ID X 1.0 OD X .03 THK
18	62838	1	ASSY INPUT PINION HSG	51	44084	4	WASHER, FLAT .62 ID X 1.0 OD X .05 THK
		1	INPUT SHAFT			1	SPACER
		1	RETAINING RING #5100-62	53	43178	1	COUPLING (HALF)
		1	RETAINING RING #5100-43	54	44079	1	NUT, HEX 1/4-20
		1	INPUT HOUSING	56	44278	1	GEAR, DRIVE PINION 17T
		1	NEEDLE BEARING	57	43177	1	WASHER, .265 ID X 7/8 OD X .125 THK
		1	THRUST BEARING NTA-1018	58	44289	2	WASHER, 1/4" SPRING LOCK
		2	THRUST RACE TRA-1018	59	44125	1	PIN, ROLL 3/16 DIA X 1/2 LG
		1	KEY, HI-PRO	64	43083	2	WASHER, FLAT .62 ID X 1.0 OD X .03 THK
		1	INPUT 17T PINION	71	44378	1	NUT, 5/16-18
		1	WASHER	72	50416	2	SEAL, GREASE
		1	NEEDLE BEARING (WITH SEAL)	73	BDU10S-120	1	GREASE (10 OZ TUBE)
25	44136	1	GREASE FITTING	74	2003081	1	TRANSMISSION
26	44122	3	KEY, #4 HI-PRO 3/32 X 5/8 DIA	75	44820	4	RESERVOIR
29	44101	1	SCREW, HEX W/PATCH 1/4-20 X 3/4 LG	76	43083	2	BOLT, 5/16-18 X 4-1/2
		1	PIN, COTTER	80	50928	1	HEX NUT, 5/16-18
						1	SEALANT


P.2 of 2. 70074-SB