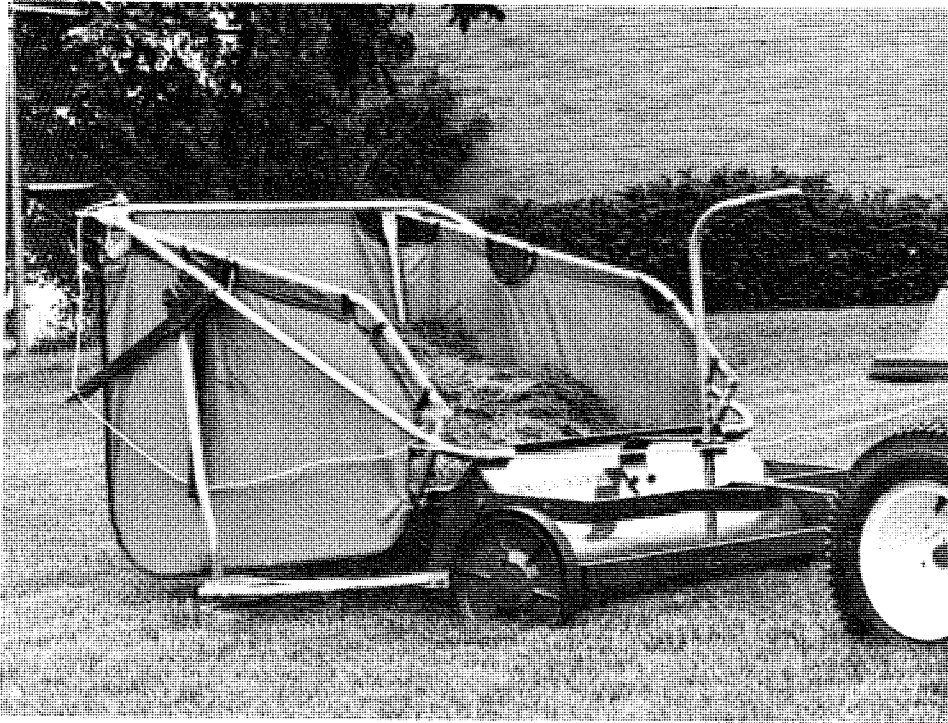


PARTS LIST AND INSTRUCTIONS

LAWN SWEEPERS

FACTORY ORDER NUMBERS 7-2513 (31") & 7-2522 (38")



DESCRIPTION

You will find many work-saving uses for your lawn-sweeper. Use it in early spring to give your lawn a good healthful scrubbing. Use it throughout the spring and summer both before and after mowing. Sweeping before mowing stands up grass for a clean, even cut — and protects your mower from sticks, stones, or nuts which might damage the blades of your mower. After mowing, your lawnsweeper will whisk away unsightly grass clippings — leaving your lawn velvety smooth.

Your new Trailer-Sweeper is precision manufactured by experienced craftsmen, using the finest in tools and materials. Although it is ruggedly constructed do not subject it to misuse. **CAUTION: DO NOT PULL YOUR UNIT TOO CLOSE TO FIRE** — the brushes and hamper will burn. Be sure to wipe off your unit after each use. Store in a dry place out of direct sunlight. Don't permit the sweeper to stand in the hot sun unless it is in actual use.

OPERATION

1. BRUSH ADJUSTMENT: Your new trailer-sweeper is equipped with a handy, "from the tractor seat," brush adjustment. To raise, push adjustment tube back and down until desired sweeping height is attained. To lower, push adjustment tube back and pull up to desired sweeping height. See Fig. 4. For best results, brush should merely flick tops of grass blades. Brushes should be raised when transporting to and from sweep area.

2. SWEEPING SPEED: For best results, the tractor should travel at a speed of 3 or 4 M.P.H.

3. DUMPING: Exclusive Flip-O-Matic rear dump action with Lift-Out Hamper feature. To dump merely pull on nylon rope until hamper turns over dumping debris. Return hamper slowly to its original position by keeping pressure on rope.

IN THE FALL: Sweep **REGULARLY** when the leaves are dropping . . . don't wait until they're all down . . . you'll get better sweeping action if your lawn is cut short.



WHEEL HORSE

lawn & garden tractors

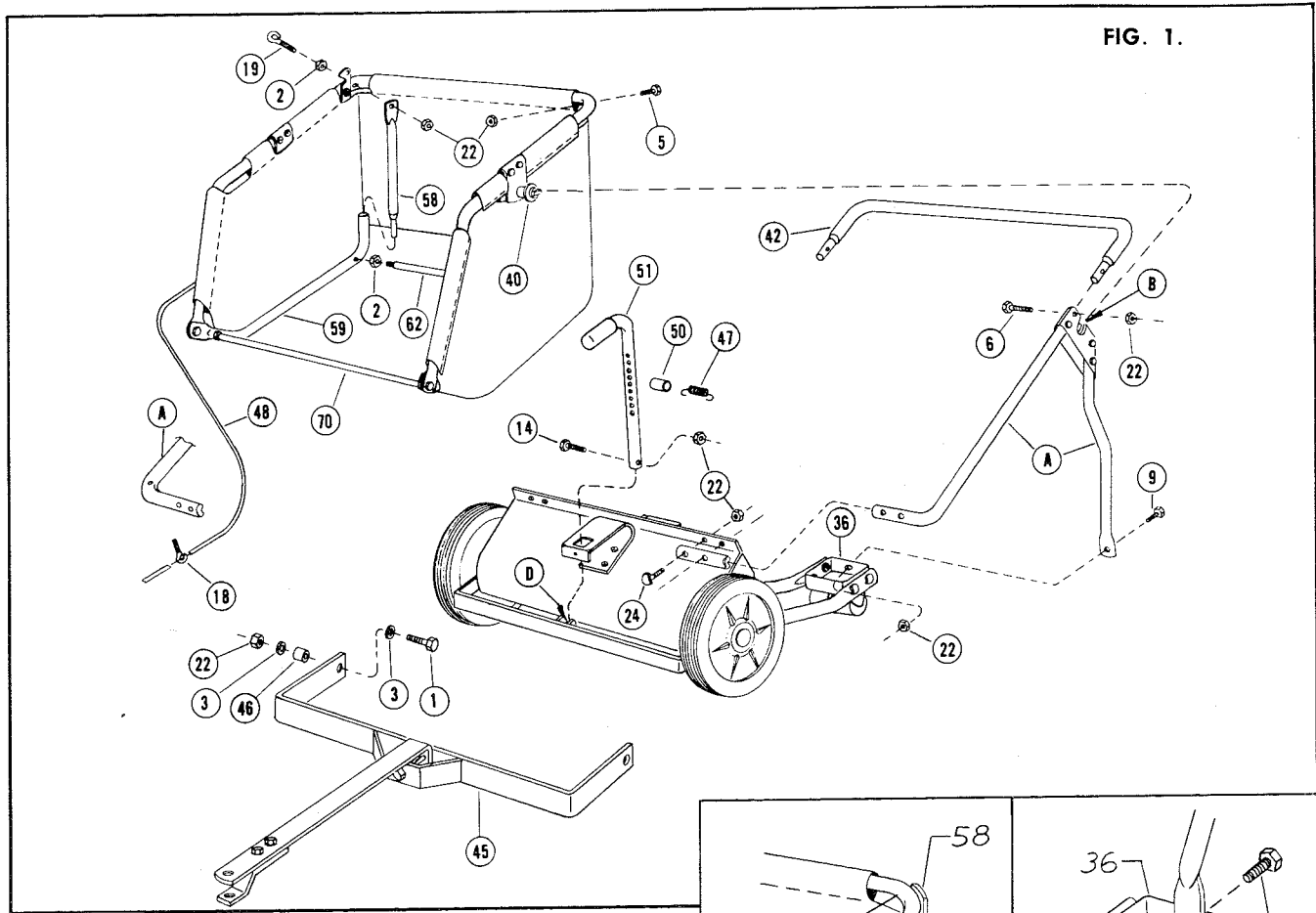


FIG. 1.

ASSEMBLY

1. Be certain all sweeper parts, parts bag and literature are removed from carton. NOTE: Save the two triangle shaped wheel blocks, they can be used for winter storage. See Fig. 8.

2. All "right" and "left" directions are in reference to position behind sweeper.

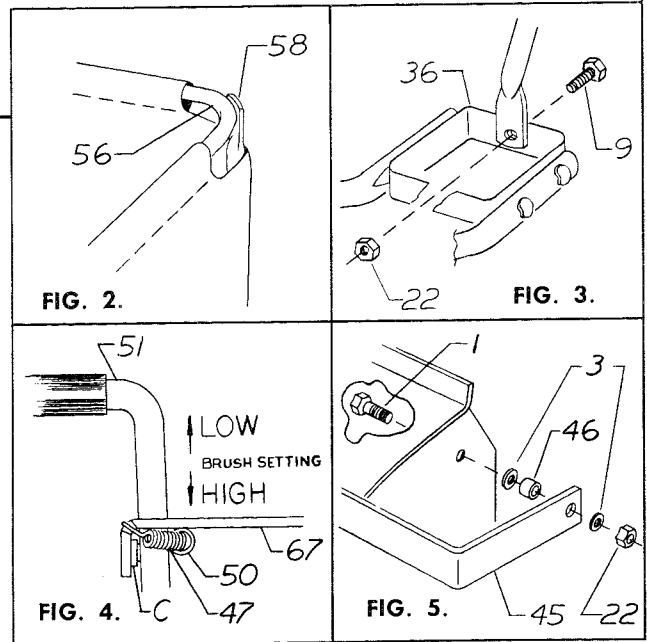
3. Only two 1/2" wrenches are required to assemble your new trailer-lawn sweeper. Lay all parts on a flat surface, have tools handy and follow these few simple instructions.

4. To assemble hamper, insert tie rod (62) (found packed with hitch) in holes of bottom hamper tubes (59). See Fig. 1. Tighten nuts (2) against tubes until hamper is just taut. Adjust the nuts to make sure that the tie rod ends do not protrude through the hamper tubes (59) and damage the hamper. DO NOT OVER STRETCH.

5. Insert reduced ends of support tubes (58) in bottom hamper tubes (59). Make certain top ends of tubes (58) are OUTSIDE tubes (56). See Fig. 2. Fasten top left tube with bolt (5) and nut (22); use eye bolt (19) and nuts (2, 22) at top of tube (58) on right side. See Fig. 1.

6. Install pivot support assemblies (A) on chassis using bolts (24) and nuts (22). Fasten vertical tube INSIDE caster plate (36) using bolt (9) and nut (22). See Figs. 1, 3.

7. Install pivot brace tube (42) in ends of pivot supports and secure with bolt (6) and nut (22). See Fig. 1.



8. Hang hamper (70) inside pivot frame by placing under brace tube (42) and sliding pivot pins (40) in slots (B). See Fig. 1.

9. Feed dump rope (48) through eye bolt (18) on right side pivot support tube (A). See Fig. 1.

10. To install adjustment tube (51), push spring (47) and retainer tube (50) to rear and force adjustment tube between tube (50) and lock pin (C). See Fig. 4. Slide tube down between lugs (D) on bumper and secure with bolt (14) and nut (22). See Fig. 1.

11. Remove hex nut (22) and one washer (3) from both sides of chassis and place ends of hitch "U" bar over spacer (46). Place washer (3) on bolt (1) making sure spacer enters hole of hitch "U" bar, secure with nut (22). See Fig. 5.

LUBRICATION:

1. Pinion and wheel gear: Remove wheel and apply grease to teeth on wheel and pinion gear (Lubriplate 130AA or equal.) **Caution: Do not apply grease to center area of pinion.**

2. Pin pawl: Apply light oil to pin pawl. Heavy oil or grease causes pawl to hang up inside pinion gear.

3. Bearings: Light oil, **not grease**, should be applied to brush axle once or twice a season.

4. Wheel axle: Lubricate wheel axle once or twice a season.

5. Pivot pins: An occasional drop of oil on pivot pins will prevent rust and insure free movement.

STORAGE:

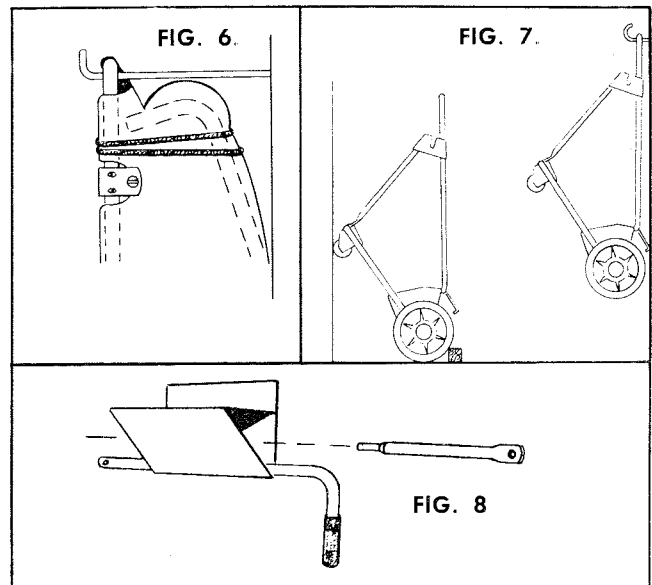
1. Before storing unit for winter, clean it thoroughly.

2. Lubricate unit and wipe metal parts with oily rag.

3. Remove support tubes, fold bottom hamper tubes and wrap dump rope around hamper and secure for compact storage. Hang folded hamper from hooks on wall. See Fig. 6.

4. Remove brush adjustment tube (51).

5. Remove hitch assembly. Lean or hang complete assembly on wall.



6. Block sweeper wheels and lean unit against wall or hang complete chassis and frame assembly on heavy hooks. See Fig. 7.

7. Store adjustment tube and support tubes in wheel blocks nailed to storage area wall. See Fig. 8.

8. **IMPORTANT:** Store unit in a safe, protected, clean dry area.

PARTS LIST — LAWN SWEEPERS

FACTORY ORDER NUMBERS 7-2513 (31") & 7-2522 (38")

Parts available only through Authorized Dealers.
When ordering parts always list Part No. and Description.
(Specifications subject to change without notice.)

ITEM NO.	PART NO.	DESCRIPTION	NUMBER REQ'D.	
			7-2513 (31")	7-2522 (38")
1	908017	Screw — $\frac{5}{16}$ -18 x $\frac{3}{4}$ Hex	6	6
2	915112	Nut $\frac{5}{16}$ -18	5	5
3	920008	Washer — $\frac{5}{16}$ Flat	7	7
4	920011	Washer — $\frac{1}{2}$ Flat	6	6
5	908019	Hex Cap Screw $\frac{5}{16}$ -18 x 1	5	5
6	908020	Hex Cap Screw $\frac{5}{16}$ -18 x $1\frac{1}{4}$	12	12
7	908021	Hex Cap Screw $\frac{5}{16}$ -18 x $1\frac{1}{2}$	1	2
8	4736	"E" Ring — $\frac{5}{8}$	4	4
9	908015	Hex Cap Screw $\frac{5}{16}$ -18 x $\frac{1}{2}$	4	8
10	908058	Hex Cap Screw $\frac{1}{2}$ -13 x $1\frac{1}{4}$	2	2
11	915111	Locknut $\frac{1}{4}$ -20	3	1
12	915002	Locknut $\frac{3}{8}$ -24	2	2
13	101551	Nut — Pilot $\frac{5}{16}$ -18	1	1
14	908022	Hex Cap Screw $\frac{5}{16}$ -18 x $1\frac{3}{4}$	1	1
15	101552	Bolt — Carriage $\frac{5}{16}$ -18 x $\frac{5}{8}$	4	4
16	101553	Spring — Brush Holder	12	18
17	915002	Locknut — $\frac{3}{8}$ -24	2	2
18	101554	Bolt — Eye $\frac{1}{4}$ -20 x 2	1	1
19	101555	Bolt — Eye $\frac{5}{16}$ -18 x $2\frac{3}{4}$	1	1
20	101556	Stud — Caster	2	2
21	915115	Locknut — $\frac{1}{2}$ -13	2	2
22	915112	Locknut — $\frac{5}{16}$ -18	53	53
23	101557	Bolt — Tube $\frac{5}{16}$ -18 x $1\frac{1}{4}$	4	4
24	101558	Bolt — Tube $\frac{5}{16}$ -18 x 1	12	8
25	908005	Hex Cap Screw $\frac{1}{4}$ -20 x 1	2	0
25	933186	Rollpin — $\frac{3}{16}$ x $\frac{7}{8}$	0	4
26	4733	Hub Cap	2	2
27	101559	Bearing — Flanged	2	2
28	4705	Wheel Assembly	2	2
29	4715	Gear — Pinion	2	2
30	101560	Pawl — Pinion	2	2
31	101561	Bracket — Caster	2	2
32	101562	Axle — Brush Stud	2	0
32	102500	Axle — Brush Stud	0	2
33	101563	Caster — Roller	2	2
34	101564	Brush — Strip	1	0
34	102501	Brush — Strip	0	6
35	102492	Tire 10" x 2.25	2	2
36	101566	Caster Plate Assembly	2	2
37	101567	Shield — Wheel	2	2
38	101568	Bracket — Frame Pivot	4	4
39	101569	Bracket — Hamper Pivot	1	1
40	101570	Pin — Pivot	2	2
41	101571	Axle — Wheel Stud	2	2
42	101572	Tube — Pivot Stand	1	0
42	102502	Tube — Pivot Stand	0	1
43	101573	Rod — Hamper Tie	1	0
43	102503	Rod — Hamper Tie	0	1

PARTS LIST — LAWN SWEEPERS

FACTORY ORDER NUMBERS 7-2513 (31") & 7-2522 (38")

Parts available only through Authorized Dealers.
When ordering parts always list Part No. and Description.
(Specifications subject to change without notice.)

ITEM NO.	PART NO.	DESCRIPTION	NUMBER REQ'D.	
			7-2513 (31")	7-2522 (38")
44	101574	Oiler	2	2
45	102493	Hitch — U Bar	1	0
45	102504	Hitch — U Bar	0	1
46	101576	Spacer	0	0
46	101577	Spacer	2	4
47	101578	Spring — Adjustment	1	1
48	101579	Rope — Dump	1	1
49	102497	Tongue — Hitch	1	0
49	102505	Tongue — Hitch	0	1
50	101581	Tube — Spring	1	1
51	101582	Tube — Adjustment	1	1
52	101583	Brace — Pivot Stand	2	2
53	102494	Brace — Pivot Stand	2	0
53	102506	Brace — Pivot Stand	0	2
54	101585	Tube — R. H. Support	1	1
55	101586	Tube — L. H. Support	1	1
56	101587	Tube — Top Hamper	1	0
56	102507	Tube — Top Hamper	0	1
57	101588	Tube — Side Hamper	2	2
58	101589	Tube — Hamper Support	2	2
59	101590	Tube — Bottom	2	2
60	101591	Support — R. H. Pivot	1	1
60	101592	Support — L. H. Pivot	1	1
61	102495	Stiffner — Bar	1	0
61	102508	Stiffner — Bar	0	1
62	101594	Rod — Rear Hamper	1	0
62	102509	Rod — Rear Hamper	0	1
63	101595	Grip — Handle	1	1
64	102496	Bumper Assembly	1	0
64	102510	Bumper Assembly	0	1
65	101597	Bracket — Pivot Assembly	1	1
66	101598	Lever — Dump	2	2
67	101599	Bracket — Adjustment	1	1
68	101600	Axle — Brush	1	0
68	102511	Axle — Brush	0	1
69	101601	Shield — Assembly	1	0
69	102512	Shield — Assembly	0	1
70	101602	Hamper — Assembly	1	0
70	102513	Hamper — Assembly	0	1
71	101603	Latch — Hamper	1	1
72	101604	Spring — Latch	1	1
73	101605	Sleeve — Rubber	2	2
75	915002	Nut — Hex $\frac{3}{8}$ -24	2	2
76	920083	Lockwasher — $\frac{3}{8}$ Split	2	2
77	101606	Bracket — Hitch Pin	1	1
*	102491	Decal, Adjustment	1	1
*	103174	Decal, Wheel Horse	1	1

PARTS DRAWING

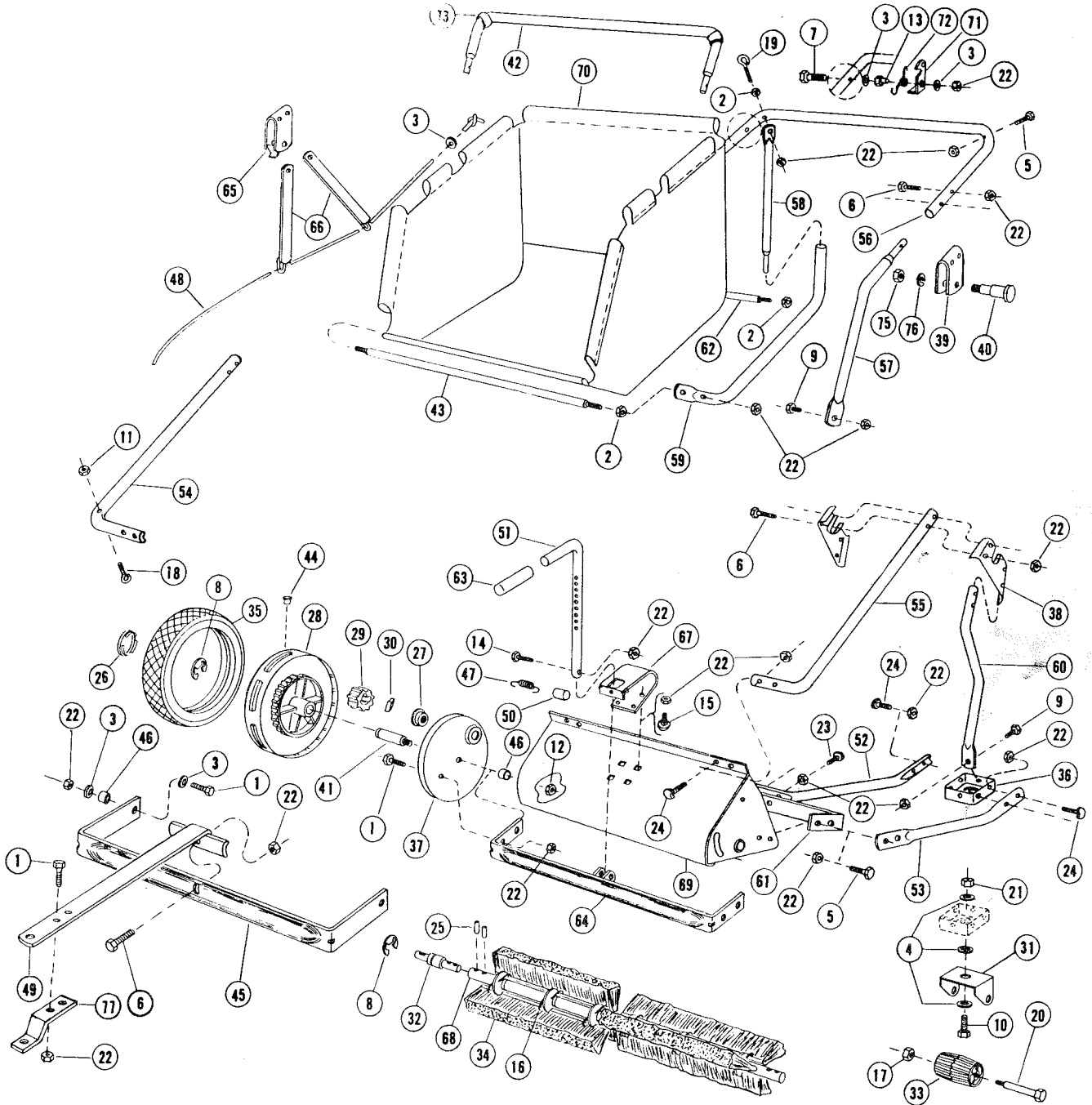


FIG. 9

WHEEL HORSE PRODUCTS, INC.

515 W. Ireland Road

South Bend, Indiana 46614