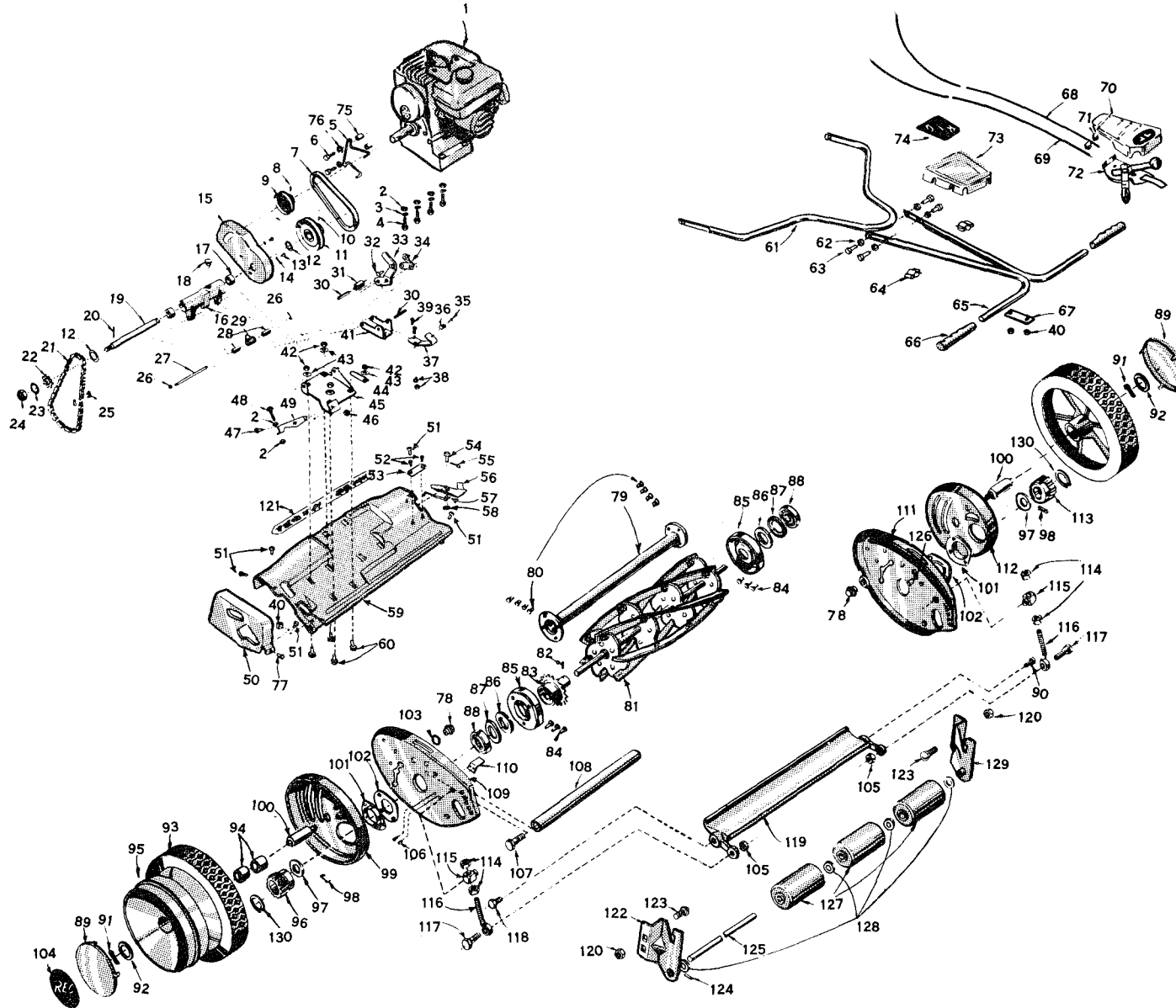


REO FOUR CYCLE POWER MOWER MODEL 421LR



ORDER PARTS BY PART NUMBER ONLY...NOT BY INDEX NUMBER
SEE PARTS LIST ON REVERSE SIDE

ORDER PARTS FROM YOUR REO SERVICE DISTRIBUTOR

21" REEL TYPE
REO 4 CYCLE ENGINE
MODEL 421LR

REO FOUR CYCLE POWER MOWER MODEL 421LR PARTS LIST

Order Parts by Part Number Only – Not Index Number

INDEX NUMBER	PART NUMBER	DESCRIPTION	INDEX NUMBER	PART NUMBER	DESCRIPTION
1	MW-8632	Engine	67	MW-9373	Clamp
2	MW-9283	Nut	68 thru 72	MW-9806	Throttle-Clutch Control Assy.
3	MW-9303	Lockwasher	68	MW-9810	Throttle Cable
4	MW-9326	Bolt	69	MW-9811	Clutch Cable
5	MW-9787	Belt Stop	70	MW-9809	Control Cover
6	MW-9320	Screw	71	MW-9369	Clip
7	MW-9363	"V" Belt	72	MW-9393	Throttle-Clutch Control
8	MW-9317	Set Screw	73	MW-9807	Cover
9	MW-9788	Pulley	74	MW-8624	Label
10	MW-9341	Rollpin	75	MW-9351	Spacer
11	MW-9789	Pulley Assy.	76	MW-9332	Washer
12	MW-9331	Washer	77	MW-9288	Screw
13	MW-9322	Screw	78	MW-9774	Nut
14	MW-9333	Washer	79	MW-9763	Spacer Tube
15	MW-9790	Belt Guard	80	MW-9278	Rivet
16,17,18	MW-9791	Jackshaft Housing Assy.	81	MW-9765	Reel
16	MW-9792	Jackshaft Housing	82	MW-9339	Rollpin
17	MW-9364	Bearing	83	MW-9766	Sprocket
18	MW-9370	Oiler	84	MW-9273	Rivet
19	MW-9356	Jackshaft	85	MW-9355	Retainer
20	MW-9336	Pin	86	MW-9284	Felt Washer
21	MW-9365	Chain	87	MW-9285	Retainer
22	MW-9358	Sprocket	88	MW-9272	Bearing
23	MW-9304	Washer	89	MW-9767	Hub Cap
24	MW-9330	Nut	90	MW-9321	Screw
25	MW-9310	Connecting Link	91	MW-9291	Cotter Pin
26	MW-9361	Retaining Ring	92	MW-9290	Washer
27	MW-9337	Pin	93,94,95	MW-9768	Wheel and Tire Assy.
28	MW-9349	Spacer	93	MW-9386	Tire
29	MW-9793	Spring	94,95	MW-9769	Wheel and Bearings
30	MW-9342	Rollpin	94	MW-9289	Bearing
31	MW-9367	Roller	95 use	MW-9769	Wheel
32,33,34	MW-9794	Roller Lever Assy.	96	MW-9371	L.H. Pinion Gear
32	MW-9273	Rivet	97	MW-9286	Felt Washer
33	MW-9795	L.H. Roller Lever	98	MW-9295	Pawl
34	MW-9376	R.H. Roller Lever	99	MW-9770	L.H. Gear Housing
35	MW-9311	Screw	100	MW-9771	Axle
36	MW-9374	Clamp	101	MW-9772	Retainer
37	MW-9796	Control Bracket	102	MW-9777	Spacer
38	MW-9328	Nut	103	MW-9773	Washer
39	MW-9280	Screw	104	MW-8606	Decal
40	MW-9808	Nut	105	MW-9292	Nut
41	MW-9797	Bracket	106	MW-9311	Screw
42	MW-9282	Nut	107	MW-9319	Screw
43	MW-9301	Lockwasher	108	MW-9387	Rear Spacer
44	MW-9350	Spacer	109	MW-9775	L.H. End Plate
45	MW-9798	Bracket	110	MW-9378	Scraper
46	MW-9279	Nut	111	MW-9776	R.H. End Plate
47	MW-9324	Bolt	112	MW-9778	R.H. Gear Housing
48	MW-9325	Bolt	113	MW-9372	R.H. Pinion Gear
49	MW-9390	Lever	114	MW-9281	Nut
50	MW-9799	Guard	115	MW-9274	Pivot
51	MW-9323	Bolt	116	MW-9297	Bolt
52	MW-9302	Screw	117	MW-9298	Screw
53	MW-8613	Nameplate	118	MW-9299	Screw
54	MW-9335	Clevis Pin	119	MW-9780	Cutter Bar
55	MW-9338	Cotter Pin	120	MW-9781	Nut
56	MW-9353	Latch	121	MW-8602	Decal
57	MW-9392	Spring	122	MW-9782	L.H. Roller Bracket
58	MW-9306	Washer	123	MW-9784	Bolt
59	MW-9803	Support Shield	124	MW-9340	Rollpin
60	MW-9327	Bolt	125	MW-9357	Roller Shaft
61	MW-9402	Lower Handle	126	MW-9360	Pivot Pin
62	MW-9329	Nut	127	MW-9366	Grass Roller
63	MW-9318	Bolt	128	MW-9334	Washer
64	MW-9368	Clip	129	MW-9783	R.H. Roller Bracket
65	MW-9394	Upper Handle	130	MW-9362	Retaining Ring
66	MW-8503	Handle Grip			

Wheel Horse Service Bulletins 1961 - 1990: **#3** Issued: December 1965

Engine Cross Reference

[Table of Contents](#) [Next](#)

This list provides the engine manufacturers model number for the engine used on Reo equipment. This information will be of assistance to you when ordering engine replacement parts. Models from 1964 through 1966 are included. Reminder: All "Reo Raider" engines with the prefix of M or MW were manufactured by Lauson. Lauson's model number may be located in the "Reo Engine Interchangeable Parts List."

SNOW THROWERS

Reo Model Numbers	Lauson Model Numbers
415 ST-3	HT22B-3452 & H22-15016
417 ST-3	HTC30B-3434 & H30-35008
420 ST-3	HTR35B-3453 & H35-45005
ST-420	H35-45059E
STE-420	H35-45061E
ST-626 & STE-626	H60-75072B
ST-267	H60-75179E

MOWERS

418LR, 421LR	H22-15029C
418L	LAV22-10021
421L, 421LI, 421LC	LAV25-20019
421LCP	LAV25-20020A
425L	V40-50030
L-158	LAV25-20098C
LC-521	LAV35-40126C
LCP-521	LAV35-40127C
RR-46 (1965)	V40-50077C
RR-65	V60-70066C
RE-65	V60-70067C
L-618	LAV30-30268E
LC-621	LAV35-40126E
LCP-621	LAV35-40127E
RR-46 (1966)	V40-50077D
RR-66	V60-70066D
RE-66	V60-70067D

 Wheel Horse Service Bulletins 1961 - 1990: **#301e** Issued: February 1987

Engine Cross Reference Listing
[Previous](#) [Table of Contents](#) [Next](#)

THIS SERVICE BULLETIN SUPERSEDES ALL PREVIOUS

ENGINE CROSS REFERENCE SERVICE BULLETINS (3, 9, 18, 71, 79, 93, 121, 129, 135, 153, 171, 187, 208, 234, 246, 276, 301, 301A, 301B, 301C, 301D)

CONTENTS	
REO PRODUCTS	
YEAR	PAGE
1964-1966	301 A-2
1967-68	301 A-3

WHEEL HORSE

1958-66	301 A-4
1967-68	301 A-5
1969-70	301 A-6
1971-72	301A-7 & 8
1973-74	301 A-9 & 10
1975-76	301A-11 & 12
1977-78	301 A-13 & 14
1979-80	301A-15 & 16
1981-82	301A-17,18 & 19
1983	301B-20 & 21
1984	301C-22
1985	301D-23
1986	301D-24 & 25
1987	301E-26 & 27

1964 thru 1966 REO PRODUCTS ENGINE CROSS REFERENCE LISTING

This list provides the engine manufacturers model number for the engine used on Reo equipment. This information will be of assistance to you when ordering engine replacement parts. Models from 1964 through 1966 are included.

Reminder: All "Reo Raider" engines with the prefix of M or MW were manufactured by Lauson. Lauson's model numbers may be located in the "Reo Engine Interchangeable Parts List."

SNOW THROWERS

REO MODEL	LAUSON MODEL
415 ST-3	HT22B-3452 & H22-15016
417 ST-3	HTC30B-3434 & H30-35008
420 ST-3	HTR35B-3453 & H35-45005
ST-420	H35-45059E
STE-420	H35-45061E
ST-626 & STE-626	H60-75072B
ST-267	H60-75179E

MOWERS

418LR, 421LR	H22-15029C
418L	LAV22-10021
421L, 421L1, 421LC	LAV25-20019
421LCP	LAV25-20020A
425L	V40-50030
L-158	LAV25-20098C
LC-521	LAV35-40126C
LCP-521	LAV35-40127C
RR-46 (1965)	V40-50077C
RR-65	V60-70066C
RE-65	V60-70067C
L-618	LAV30-30268E
LC-621	LAV35-40126E
LCP-621	LAV35-40127E
RR-46 (1966)	V40-50077D
RR-66	V60-70066D
RE-66	V60-70067D

1967 REO PRODUCTS ENGINE CROSS REFERENCE LISTING

The information below provides the engine manufacturer's model number for the engine used on 1967 model Reo equipment.

REO MODEL NUMBER	MOWERS	
	POWER PRODUCTS MODEL NUMBER	LAUSON MODEL NUMBER
LS-1827 (Challenger)	AV-52 Type 638-30	
LS-2027 (Challenger II)	AV-52 Type 638-26	
LS-2047 (Challenger IV)		LAV30-30268F
LC-2127 (Custom II)	AV-52 Type 638-26	
LC-2147 (Custom IV)		LAV35-40126F
LCP-2147 (Regal IV)		LAV35-40127F
LL-217 (Royal IV)		H25-25100F
RR-47		V40-50077E
RR-67		V60-70066E
RE-67		V67-0067E

SNOW THROWERS

ST-420	H35-45059E
STE-420	H35-45061E
ST-268	H60-75179F

1968 REO PRODUCTS ENGINE CROSS REFERENCE LISTING

The information below provides the engine manufacturers model number for the engines used on 1968 model Reo equipment.

REO MODEL NUMBER	LAUSON MODEL NUMBER
LCP-2147 Regal IV	LAV 35-40127G
LCP-2147-1 Regal IV	LAV 35-40127G
LC-2147 Custom IV	LAV 35-40126G
LL-217 Reel Royal	H 25-25100F
4-2631 26" Snow Thrower	H 60-75179G
4-2632 26" Trailblazer	H 60-75179G
4-1031 20" Pathfinder	H 35-45176F
2-1231 Lawn Skiff Elec.	V 60-70067G
2-2231 Lawn Skiff Recoil	V 60-70066G

ENGINE CROSS REFERENCE LISTING FOR 1955 THRU 1966 MODELS

All Wheel Horse Part Numbers are for reference only All engine and engine parts must be ordered from the Engine Manufacturers Sales and Service outlets.

VEHICLE IDENTIFICATION MODEL NUMBER	KOHLER MODEL NUMBER	CLINTON NUMBER MODEL NUMBER	LAUSON MODEL NUMBER
RJ 35, RJ 58, RJ 59	K-90	B1290-1107	
ST 400, 401	K91-31388A	B1290-1107	
ST 550, 551			H55B-1170 H55D-2113
701, 702	K161S-28622E		
32-R, 502			HT55C-3088
32-E, 552			HT55C-3089
33-R, 603			H60-75016
33-E, 653			H60-75009
633	K141T-29102A		
753	K161S-28626E		
953	K241S-40135A		
34-R, 604			H60-75004B
34-E, 654			H60-75063B
704	K161T-28937E		
854, 855, 875	K181S-30108A		
1054, 1054-A	K241S-46215A &		