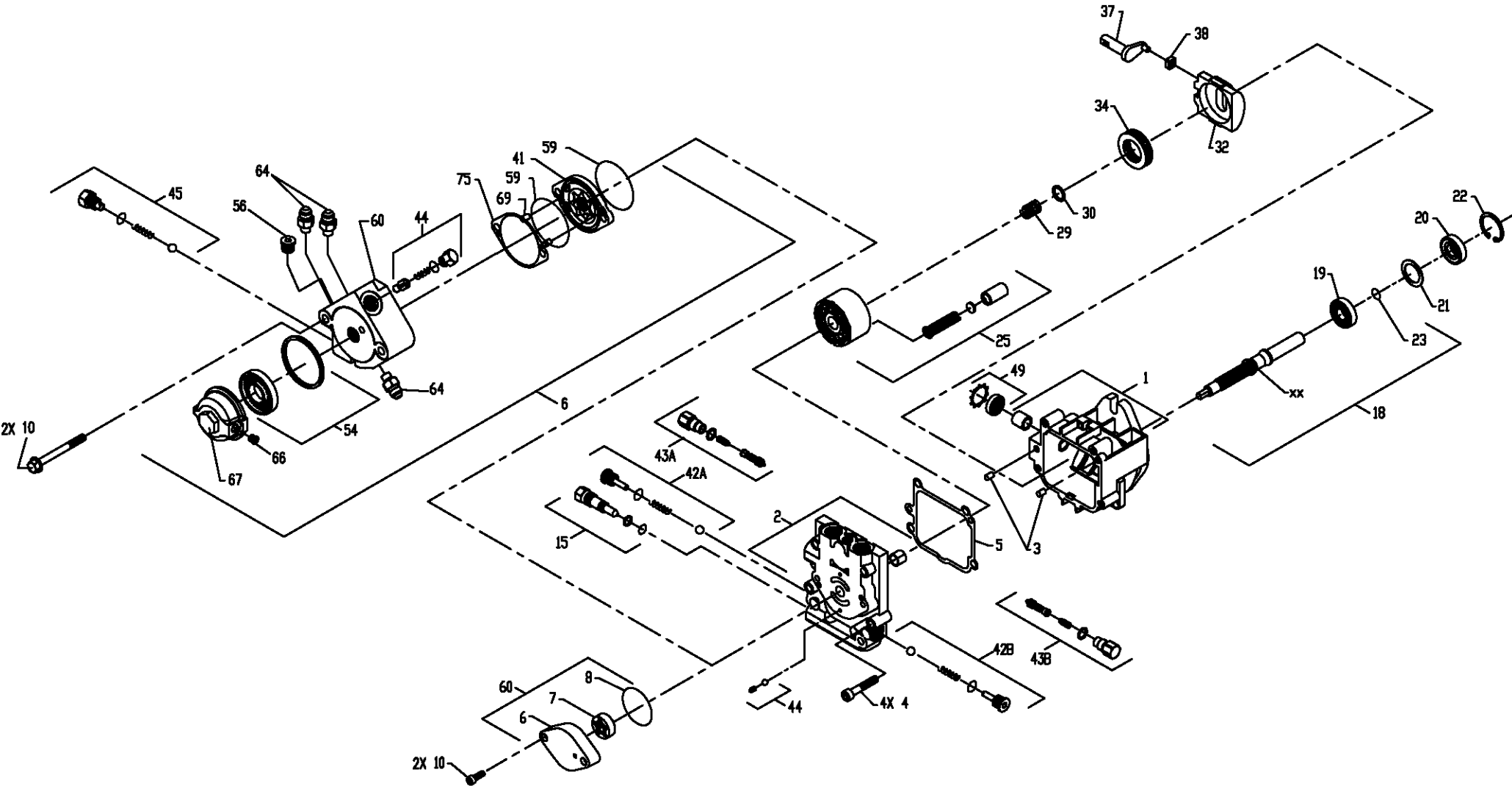
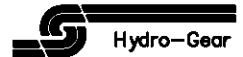


PL SERIES SERVICE SCHEMATIC




85 SEAL KIT



PL SERIES CROSS REFERENCE MATRIX

| REFERENCE NO | MODEL NO | PUMP SHAFT (KIT #18) | HOUSING (KIT #1) | ENDCAP (KIT #2) | BYPASS VALVE (KIT #15) | CHECK VALVE(LH) (KIT #42B) | CHECK VALVE(RH) (KIT #42A) | TRUNNION ARM | CHARGE PUMP (KIT #6) | CHARGE RELIEF (KIT #44) | INPUT ROTATION |
|--------------|-------------------|-------------------------|---------------------|--------------------|---------------------------|-------------------------------|-------------------------------|--------------|-------------------------|----------------------------|----------------|
| BDP-10L-110 | PL-BAVV-DY1X-XXXX | 2513038 | 2513017 | 2513016 | 2513030 | 2510008 | 2510008 | RH | 2513027 | 2510064 | CW |
| BDP-10L-111 | PL-BGVV-DY1X-XXXX | 2513038 | 2513017 | 2513016 | 2513030 | 2510008 | 2510008 | RH | 2513027 | 2510064 | CCW |
| BDP-10L-112 | PL-AAVV-DY1X-XXXX | 70763 | 2513017 | 2513016 | 2513030 | 2510008 | 2510008 | RH | 2513027 | 2510064 | CW |
| BDP-10L-113 | PL-AGVV-DY1X-XXXX | 70763 | 2513017 | 2513016 | 2513030 | 2510008 | 2510008 | RH | 2513027 | 2510064 | CCW |
| BDP-10L-117 | PL-BGQQ-DY1X-XXXX | 2513038 | 2513017 | 2513016 | 2513030 | 2510027 | 2510027 | RH | 2513027 | 2510064 | CCW |
| BDP-10L-118 | PL-BGVV-DY2X-XXXX | 2513038 | 2513017 | 2513016 | 2513031 | 2510008 | 2510008 | RH | 2513027 | 2510064 | CCW |
| BDP-10L-119 | PL-BGVV-DY1X-XXXX | 2513038 | 2513017 | 2513016 | 2513030 | 2510008 | 2510027 | RH | 2513027 | 2510064 | CCW |
| BDP-10L-121 | PL-BGVQ-DY1X-XXXX | 2513038 | 2513017 | 2513016 | 2513030 | 2510027 | 2510008 | RH | 2513027 | 2510064 | CCW |
| BDP-10L-122 | PL-BAVV-DY2X-XXXX | 2513038 | 2513017 | 2513016 | 2513031 | 2510008 | 2510008 | RH | 2513027 | 2510064 | CW |
| BDP-10L-123 | PL-BAQQ-DY1X-XXXX | 2513038 | 2513017 | 2513016 | 2513030 | 2510027 | 2510027 | RH | 2513027 | 2510064 | CW |
| BDP-10L-124 | PL-BAQV-DY1X-XXXX | 2513038 | 2513017 | 2513016 | 2513030 | 2510008 | 2510027 | RH | 2513027 | 2510064 | CW |
| BDP-10L-125 | PL-BAVQ-DY1X-XXXX | 2513038 | 2513017 | 2513016 | 2513030 | 2510027 | 2510008 | RH | 2513027 | 2510064 | CW |
| BDP-10L-126 | PL-AAVV-DY2X-XXXX | 70763 | 2513017 | 2513016 | 2513031 | 2510008 | 2510008 | RH | 2513027 | 2510064 | CW |
| BDP-10L-127 | PL-AGVV-DY2X-XXXX | 70763 | 2513017 | 2513016 | 2513031 | 2510008 | 2510008 | RH | 2513027 | 2510064 | CCW |
| BDP-10L-129 | PL-BGPP-DY1X-XXXX | 2513038 | 2513017 | 2513016 | 2513030 | 2510062 | 2510062 | RH | 2513027 | 2510064 | CCW |
| BDP-10L-130 | PL-BGQQ-DYZX-XXXX | 2513038 | 2513017 | 2513016 | 50918 | 2510027 | 2510027 | RH | 2513027 | 2510064 | CCW |
| BDP-10L-131 | PL-AAQV-DY1X-XXXX | 70763 | 2513017 | 2513016 | 2513030 | 2510008 | 2510027 | RH | 2513027 | 2510064 | CW |
| BDP-10L-132 | PL-BGRQ-DY1X-XXXX | 2513038 | 2513017 | 2513016 | 2513030 | 2510027 | 2510034 | RH | 2513027 | 2510064 | CCW |
| BDP-10L-133 | PL-DGVQ-DY1X-XXXX | 70499 | 2513017 | 2513016 | 2513030 | 2510027 | 2510008 | RH | 2513027 | 2510064 | CCW |
| BDP-10L-134 | PL-AAQQ-DY1X-XXXX | 70763 | 2513017 | 2513016 | 2513030 | 2510027 | 2510027 | RH | 2513027 | 2510064 | CW |
| BDP-10L-135 | PL-BAVP-DY1X-XXXX | 2513038 | 2513017 | 2513016 | 2513030 | 2510062 | 2510008 | RH | 2513027 | 2510064 | CW |
| BDP-10L-136 | PL-BGVV-DYYX-XXXX | 2513038 | 2513017 | 2513016 | 2510084 | 2510008 | 2510008 | RH | 2513027 | 2510064 | CCW |
| BDP-10L-137 | PL-BGRR-DY1X-XXXX | 2513038 | 2513017 | 2513016 | 2513030 | 2510034 | 2510034 | RH | 2513027 | 2510064 | CCW |
| BDP-10L-300 | PL-BAQP-DY1X-XXXX | 2513038 | 2513017 | 2513016 | 2513030 | 2510062 | 2510027 | RH | 2513027 | 2510064 | CW |
| BDP-10L-301 | PL-BAPP-DY1X-XXXX | 2513038 | 2513017 | 2513016 | 2513030 | 2510062 | 2510062 | RH | 2513027 | 2510064 | CW |
| BDP-10L-302 | PL-BAPV-DY1X-XXXX | 2513038 | 2513017 | 2513016 | 2513030 | 2510008 | 2510062 | RH | 2513027 | 2510064 | CW |
| BDP-10L-500 | PL-AGQQ-DY1X-XXXX | 70763 | 2513017 | 2513016 | 2513030 | 2510027 | 2510027 | RH | 2513027 | 2510064 | CCW |
| BDP-10L-501 | PL-DGQQ-DY1X-XXXX | 70499 | 2513017 | 2513016 | 2513030 | 2510027 | 2510027 | RH | 2513027 | 2510064 | CCW |
| BDP-10L-502 | PL-BGVP-DY1X-XXXX | 2513038 | 2513017 | 2513016 | 2513030 | 2510062 | 2510008 | RH | 2513027 | 2510064 | CCW |
| BDP-10L-503 | PL-BGAC-DY1X-XXXX | 2513038 | 2513017 | 2513016 | 2513030 | 70743 | 70741 | RH | 2513027 | 2510064 | CCW |
| BDP-10L-504 | PL-BGCC-DY1X-XXXX | 2513038 | 2513017 | 2513016 | 2513030 | 70743 | 70743 | RH | 2513027 | 2510064 | CCW |
| BDP-10L-700 | PL-CARR-VY1X-XXXX | 70764 | 2513017 | 2513045 | 2513030 | 2510034 | 2510034 | RH | 70505 | 2510081 | CW |
| BDP-10L-900 | PL-CGQQ-RY1X-XXXX | 70764 | 2513017 | 2513045 | 2513030 | 2510027 | 2510027 | RH | 70386 | 2510081 | CCW |
| BDP-10L-901 | PL-CGQQ-UY1X-XXXX | 70764 | 2513017 | 2513045 | 2513030 | 2510027 | 2510027 | RH | 70582 | 2510081 | CCW |
| BDP-10L-902 | PL-CGCC-UY1X-XXXX | 70764 | 2513017 | 2513045 | 2513030 | 70743 | 70743 | RH | 70582 | 2510081 | CCW |

HYDRO-GEAR Drawing Note: See IDEAS Drawing 70385 for Sheet 1 of 3.


| | | | |
|---|--|---|----------|
|  | | 1411 S. HAMILTON ST. SULLIVAN, IL 61951 PHONE: (217) 728-2581 | |
| SERVICE DRAWING - PL (10L) | | P 2 of 3 | |
| PART NUMBER: | | DATE: | 01/22/04 |
| | | 70385 | REV: P9 |

PL SERIES ITEM # LISTING

| ITEM / KIT # | HYDRO-GEAR PART # | DESCRIPTION |
|--------------|-------------------|--|
| 1 | 2513017 | HOUSING KIT |
| 2 | 2513016 | END CAP KIT (STD) |
| | 2513045 | END CAP KIT (AUX) |
| 3 | 9004800-2506 | STRAIGHT HEADLESS PIN |
| 4 | 9007314-0810 | SOCKET HEAD SCREW |
| 5 | 2003067 | HOUSING GASKET |
| 6 | 2513027 | CHARGE PUMP KIT (STD) |
| | 70582 | AUX PUMP KIT (AL, SPLINED, 9/16 TUBING FITTINGS) |
| | 70386 | AUX PUMP KIT (AL, SPLINED, 7/16 SAE PORTS) |
| | 70505 | AUX PUMP KIT (AL, SPLINED, 7/16 SAE PORTS, AUX POPPET) |
| 7 | 50273 | GEROTOR ASSEMBLY |
| 8 | 9004101-1340 | O-RING |
| 10 | 50095 | SOCKET HEAD SCREW |
| | 50969 | HEX FLANGE BOLT 8M-1.25 x 60mm |
| 15 | 2513030 | BYPASS VALVE KIT (BLANK) |
| | 2513031 | BYPASS VALVE KIT (.031") |
| | 2510084 | BYPASS VALVE KIT (.043") |
| | 50918 | (SPECIAL: PROPRIETARY) |
| 18 | 2513038 | KIT, PUMP SHAFT (BLIND KEYWAY) |
| | 70763 | KIT, PUMP SHAFT (9 TOOTH SPLINE) |
| | 70499 | KIT, PUMP SHAFT (KEYED TAPER) |
| | 70764 | KIT, PUMP SHAFT (AUX-BLIND KEYWAY) |
| 19 | 2003043 | BALL BEARING |
| 20 | 9008000-0128 | LIP SEAL 15 x 35 x 7 |
| 21 | 2003018 | SPACER |
| 22 | 2003052 | RETAINING RING |
| 25 | 70331 | CYLINDER BLOCK KIT |
| 29 | 2003014 | BLOCK SPRING |
| 30 | 2003017 | BLOCK THRUST WASHER |

| ITEM / KIT # | HYDRO-GEAR PART # | DESCRIPTION |
|--------------|-------------------|---|
| 32 | 2003087 | SWASHPLATE |
| 34 | 50551 | BALL THRUST BEARING |
| 37 | 2003005 | TRUNNION ARM |
| 38 | 2000015 | SLOT GUIDE |
| 41 | 51049 | AUX GEROTOR & HSG ASSEMBLY |
| 42 | 2510008 | CHECK VALVE KIT (3/8" BALL) |
| | 2510062 | CHECK VALVE KIT (.024" ORIFICE) |
| | 2510027 | CHECK VALVE KIT (.031" ORIFICE) |
| | 2510034 | CHECK VALVE KIT (.044" ORIFICE) |
| 43 | 70741 | KIT, SHOCK VALVE (NO ORIFICE) |
| | 70742 | KIT, SHOCK VALVE (.024" ORIFICE) |
| | 70743 | KIT, SHOCK VALVE (.031" ORIFICE) |
| | 70744 | KIT, SHOCK VALVE (.044" ORIFICE) |
| 44 | 2510064 | CHARGE RELIEF VALVE KIT (1/4" STEEL BALL) |
| | 2510081 | CHARGE RELIEF VALVE KIT (w/ 9/16" SAE PLUG) |
| 45 | 2510082 | AUX RELIEF VALVE KIT (1/4" BALL) |
| | 70504 | AUX RELIEF VALVE KIT (AUX POPPET) |
| 47 | 2003023 | CRADLE BEARING |
| 49 | 2513043 | TRUNNION SEAL / RETAINER KIT |
| 54 | 2510090 | AUXILIARY FILTER KIT |
| 56 | 9005110-4400 | STRAIGHT THREAD PLUG |
| 59 | 9004100-1430 | O-RING |
| 60 | 50260 | CHARGE COVER |
| 60 | 51074 | AUX PUMP MANIFOLD (AL, SAE PORTS) |
| 64 | 51359 | CONNECTOR, -6 -4 37 DEG SAE STR THD |
| 66 | 9005110-3100 | 5/16" SAE PLUG |
| 67 | 50994 | FILTER COVER |
| 69 | 50408 | STRAIGHT HEADLESS PIN |
| 75 | 51148 | CHARGE PUMP SHIM (RED) |
| 85 | 2513018 | OVERHAUL SEAL KIT |

HYDRO-GEAR Drawing Note: See IDEAS Drawing 70385 for Sheet 1 of 3.

| | | | |
|---|--|---|----------------------|
|  | | 1411 S. HAMILTON ST. SULLIVAN, IL 61951 PHONE: (217) 728-2581 | |
| | | SERVICE DRAWING - PL (10L) | |
| PART NUMBER: | | DATE: | P 3 of 3 01/22/04 |
| 70385 | | REV: | P9 |