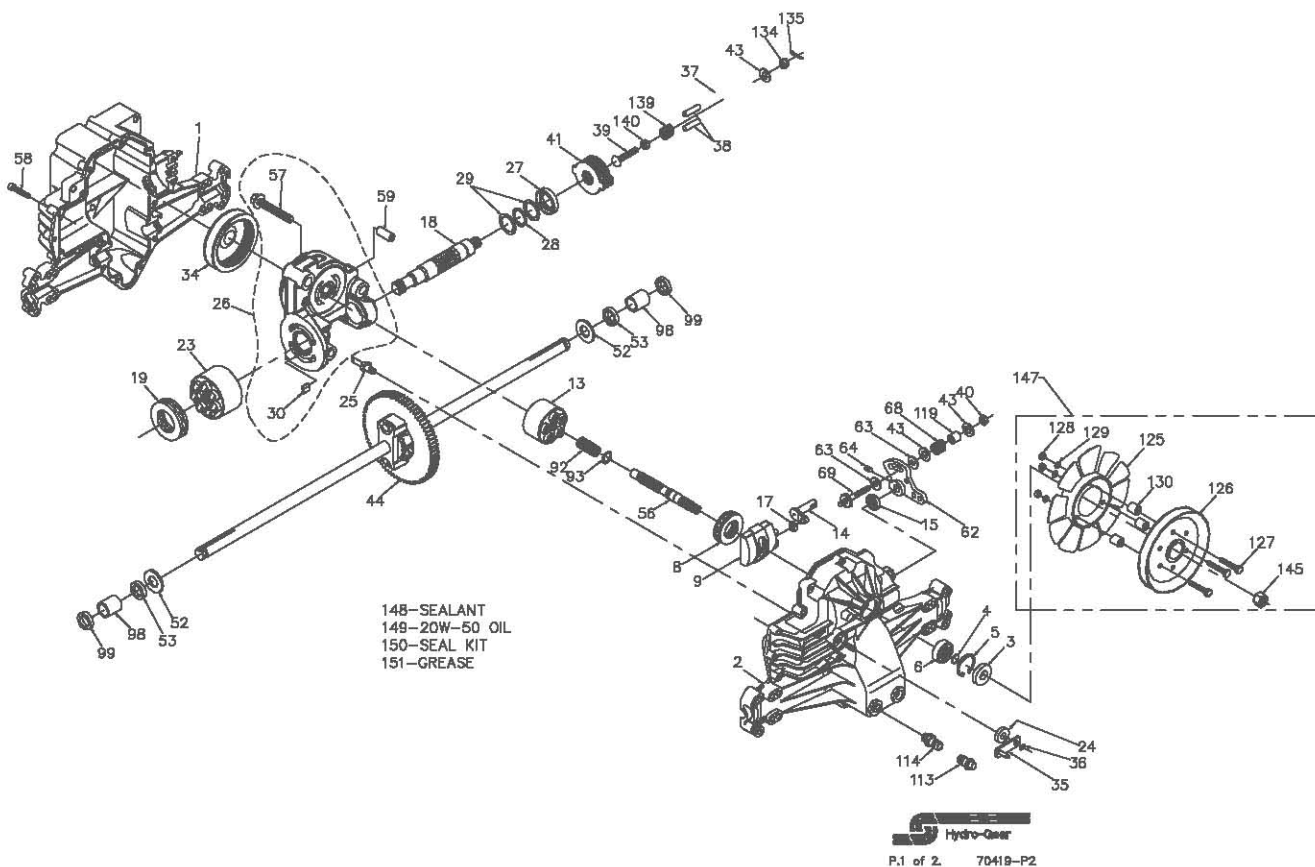


514728
324-0500



514728
324-0500

ITEM NO	HYDRO-GEAR PART NO	QTY	DESCRIPTION	ITEM NO	HYDRO-GEAR PART NO	QTY	DESCRIPTION
1	44863RM	1	HOUSING, LOWER	43	44130	3	WASHER-7/16 X 7/8 X .060
2	70254	1	ASSEMBLY, UPPER HOUSING	44	70417	1	DIFFERENTIAL ASSEMBLY
		1	UPPER HOUSING			2	AXLE SHAFT
		1	TRUNNION JOURNAL BEARING			1	72T DIFFERENTIAL GEAR
3	9008000-0128	1	SEAL-LP			2	DIFFERENTIAL HOUSING
4	2003018	1	RING-WIRE RETAINING			2	14T BEVEL GEAR
5	2003052	1	RING-RETAINING			2	10T PLANET GEAR
6	2003043	1	BEARING-SHAFT BALL			2	RETAINING RING
8	50561	1	BEARING-THRUST 30X52X13			2	DIFFERENTIAL LOCKING BOLT
9	2003087	1	SWASHPLATE-VARIABLE			1	DIFFERENTIAL SPACER
13	70331	1	BLOCK-CYLINDER ASS'Y.	52	44875	2	WASHER-3/4 X 1.5 X .13
		1	BLOCK-CYLINDER	53	45078	2	SEAL-.75 X 1.25 X .250
		5	PISTON	55	50005	1	SHAFT-INPUT
		5	PISTON SPRING	57	50016	3	BOLT, 3/8-24 X 2.5
14	2003005	1	ARM-TRUNNION	58	44876	20	BOLT-1/4-20 X 1.38
15	9008000-0128	1	SEAL-LP	59	50002	2	PIN-.500 X .43 ID X .750
17	2003015	1	GUIDE-SLOT	62	50254	1	ARM-CONTROL
18	50449	1	SHAFT-MOTOR	63	50281	2	PUCK-DAMPENER
19	50562	1	BEARING-THRUST 42X68X16	64	50018	1	SET SCREW
23	70082	1	BLOCK-CYLINDER ASS'Y.	68	50277	1	SPRING
		1	BLOCK-CYLINDER	69	50284	1	5/16-24 STUD
		7	PISTON	92	2003014	1	SPRING, BLOCK
		7	PISTON SPRING	93	2003017	1	WASHER, BLOCK THRUST
		7	PISTON SPRING WASHER	98	50137	2	SLEEVE BEARING
24	45074	1	SEAL-LP 10X25X7	99	50841	2	SEAL, LIP 0.75X1.00X0.158
25	2003555	1	ACTUATOR-BYPASS	113	70108	1	CAP-VENT ASSEMBLY
26	70250	1	KIT, CENTER SECTION			1	CAP-POPPET VALVE
		1	PLATE, BYPASS	114	70110	1	PLASTIC VENT
		2	CHECK PLUG ASSEMBLY			1	FITTING-O RING ASSEMBLY
		1	CENTER SECTION			1	O-RING
		1	OU BEARING			1	PLASTIC HOSE FITTING
		3	BOLT, 3/8-24 X 2.5	119	50278	1	SPACER
		1	BUSHING, 1.02 X 1.1 X .57	125	50307	1	FAN
27	45076	1	SEAL-LP 28X42X8	126	51173	1	PULLEY
28	50007	1	RING-RETAINING	127	44276	3	SCREW 1/4-20 X 1-1/2
29	44872	2	WASHER-28X35X1	128	43178	3	NUT, 1/4-20
30	70680	1	KIT, BYPASS PLATE	129	43177	3	LOCK WASHER
34	44864	1	OIL FILTER ELEMENT	130	50259	3	SPACER
35	50270	1	ARM-BYPASS	134	44142	1	CASTLE NUT, 5/16-24
36	44870	1	RING-RETAINING	135	44101	1	COTTER PIN
37	44813	1	ARM-ACTUATING	139	50431	1	COMPRESSION SPRING
38	44891	2	PIN-ACTUATING	140	50269	1	NUT, HEX 5/16-24
39	50316	1	BOLT-5/16-24 X 1-3/4	142	50584	2	CHECK PLUG ASSEMBLY
40	50317	1	NUT-HEX LOCK 5/16-24 UNJC	144	50550	1	BUSHING
41	70135	1	BRAKE ROTOR/STATOR KIT	145	44133	1	HEX NUT 1/2-20 (PATCH)
		4	BRAKE STATOR	146	51172	1	SHAFT, AXLE
		2	BRAKE ROTOR	147	70418	1	FAN/PULLEY KIT
						1	FAN
						1	PULLEY
						3	SCREW, 1/4-20 X 1-1/2
						3	NUT, 1/4-20
						3	LOCK WASHER
						3	SPACER
						1	HEX NUT 1/2-20 (PATCH)
148	50928	1	SEALANT	148	50928	1	SEALANT
149	70312	1	20W-50 OIL	149	776z	1	20W-50 OIL
150	50416	1	SEAL KIT	150	70312	1	SEAL KIT
151		1	GREASE	151	50416	1	GREASE