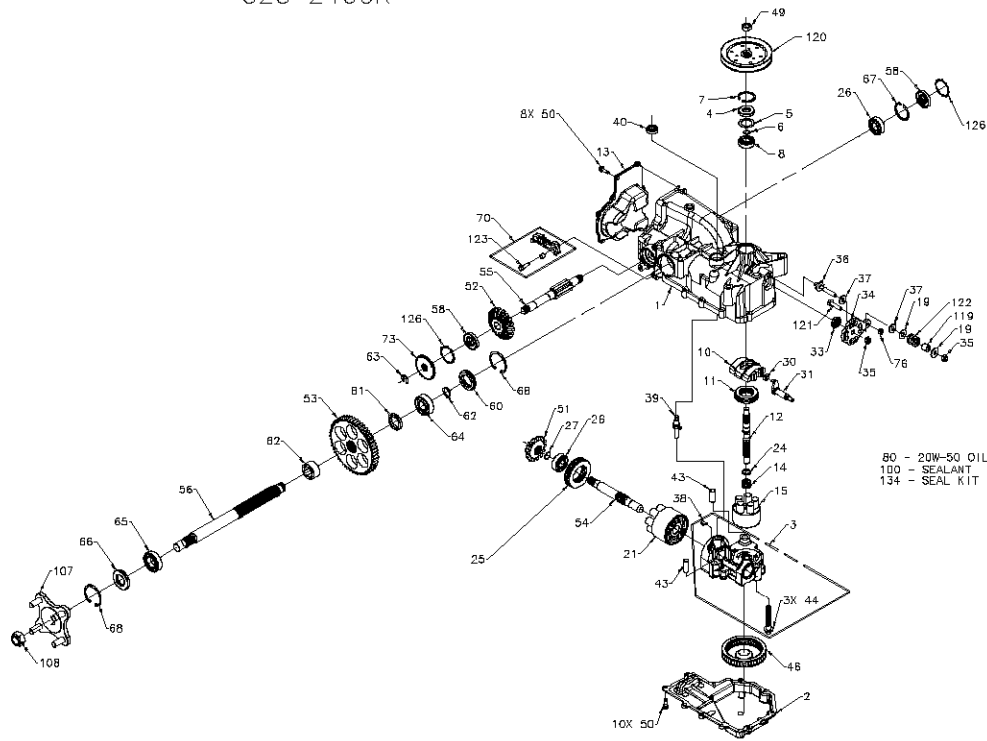


5750A  
323-2400R



80 - 20W-50 OIL  
100 - SEALANT  
134 - SEAL KIT

5750A  
323-2400R

ITEM #	PART #	QTY	DESCRIPTION	ITEM #	PART #	QTY	DESCRIPTION
1	70590	1	KIT, HOUSING-MAIN	54	51298	1	MOTOR SHAFT
		1	HOUSING, MAIN	55	51298	1	BRAKE SHAFT
		2	CRADLE BEARING	56	50749	1	AXLE SHAFT
		1	LIP SEAL	58	91161	2	SEAL, LIP 17 X 40 X 7
2	50890RM	1	TRUNNION BUSHING	60	50895	1	SEAL PLUG - SIDE
3	70667	1	KIT, CENTER SECTION	62	50759	1	RETAINING RING - AXLE
		1	CENTER SECTION	63	51109	1	RETAINING RING KIT
		1	BUSHING .67 X 1.03 X .75	64	50743	1	BEARING-BALL 20X47X14(6204)
		1	PLATE, BYPASS	65	50740	1	BEARING-BALL 25X47X12(6005)
		2	SCREW 3/8-24 X 2.5	66	50751	1	SEAL
		2	CHECK PLUG ASSEMBLY, .027	67	50329	1	RETAINING RING
		1	LIP SEAL	68	50760	2	RETAINING RING-AXLE
4	9008000-0128	1	SPACER	70	70391	1	LH. BRAKE ARM SERVICE ASSEMBLY
5	2003018	1	WIRE RETAINING RING			1	BRAKE ARM
6	2003016	1	RETAINING RING			1	CLEVIS PIN
7	2003052	1	BALL BEARING			1	BUSHING .255 X .381 X .330
8	2003043	1	VARIABLE SWASHPLATE	73	50754	1	HEX WASHER HEAD SCREW, 1/4-20 X 7/8
10	2003067	1	THRUST BEARING 30 X 52 X 13	76	43083	1	BRAKE DISC
11	50551	1	INPUT SHAFT	80		79oz	NUT, HEX 5/16-18
12	50005	1	COVER-BACK	81	50942-2	1	20W-50 OIL
13	50891RM	1	SPRING, BLOCK	82	50942-1	1	AXLE BUSHING
14	2003014	1	10cc CYLINDER BLOCK ASS'Y	100	50928	1	AXLE BUSHING
15	70331	1	10cc CYLINDER BLOCK	107	70314	1	SEALANT
		5	10cc PISTON SPRING			1	HUB ASSEMBLY
		5	PISTON SEAT WASHER			1	HUB
		5	10cc PISTON			1	BOLT, LUG
19	44130	2	WASHER, BLOCK THRUST	108	50863	1	NUT, HEX 3/4-16
21	70082	1	THRUST BEARING 42 X 68 X 16	119	50278	1	SPACER
		1	21cc CYLINDER BLOCK ASS'Y	120	51182	1	PULLEY, 4.5
		1	21cc CYLINDER BLOCK	121	51047	1	BOLT 5/16-18 X 1-1/4
		7	21cc PISTON SPRING	122	50277	1	HELICAL COMP. SPRING
		7	PISTON SEAT WASHER	123	51076	1	HEX WASHER HEAD SCREW, 1/4-20 X 7/8
		7	21cc PISTON	126	51316	2	RING, RETAINING
24	2003017	1	WASHER, BLOCK THRUST	134	70553	1	KIT, SEAL
25	50552	1	THRUST BEARING 30 X 52 X 13			1	SEAL, LIP 15 X 35 X 7
26	50315	2	BALL BEARING			1	RING, RETAINING
27	2000022	1	WIRE RETAINING RING			1	SEAL, LIP 12 X 25 X 7
30	2000015	1	SLOT GUIDE			1	SEAL, LIP 10 X 25 X 7
31	50807	1	TRUNNION ARM			1	RING, RETAINING
33	9009000-0126	1	LIP SEAL			2	SEAL, LIP 17 X 40 X 7
34	50749	1	CONTROL ARM			1	SEAL, LIP 1.85 X .32
35	50317	2	NUT			1	RING, RETAINING
36	50284	1	STUD - LONG 5/16-24			1	RING, RETAINING, 440 EXTERNAL
37	50281	2	FRICITION PUCK			1	SEAL, LIP .98 X 1.85 X .276
38	70680	1	KIT, BYPASS PLATE			1	RING, RETAINING
39	2003555	1	BYPASS ACTUATOR			2	RING, RETAINING
40	45074	1	LIP SEAL			2	RING, RETAINING
43	50002	2	PIN			2	SEAL, LIP 17 X 40 X 5
44	50016	3	SCREW				
46	50990	1	FILTER				
49	44133	1	HEX NUT 1/2-20				
50	50752	18	SCREW, 1/4-20 X .75 LONG				
51	50744	1	14T BEVEL GEAR				
52	50745	1	19T BEVEL GEAR				
53	50746	1	53T SPUR GEAR				