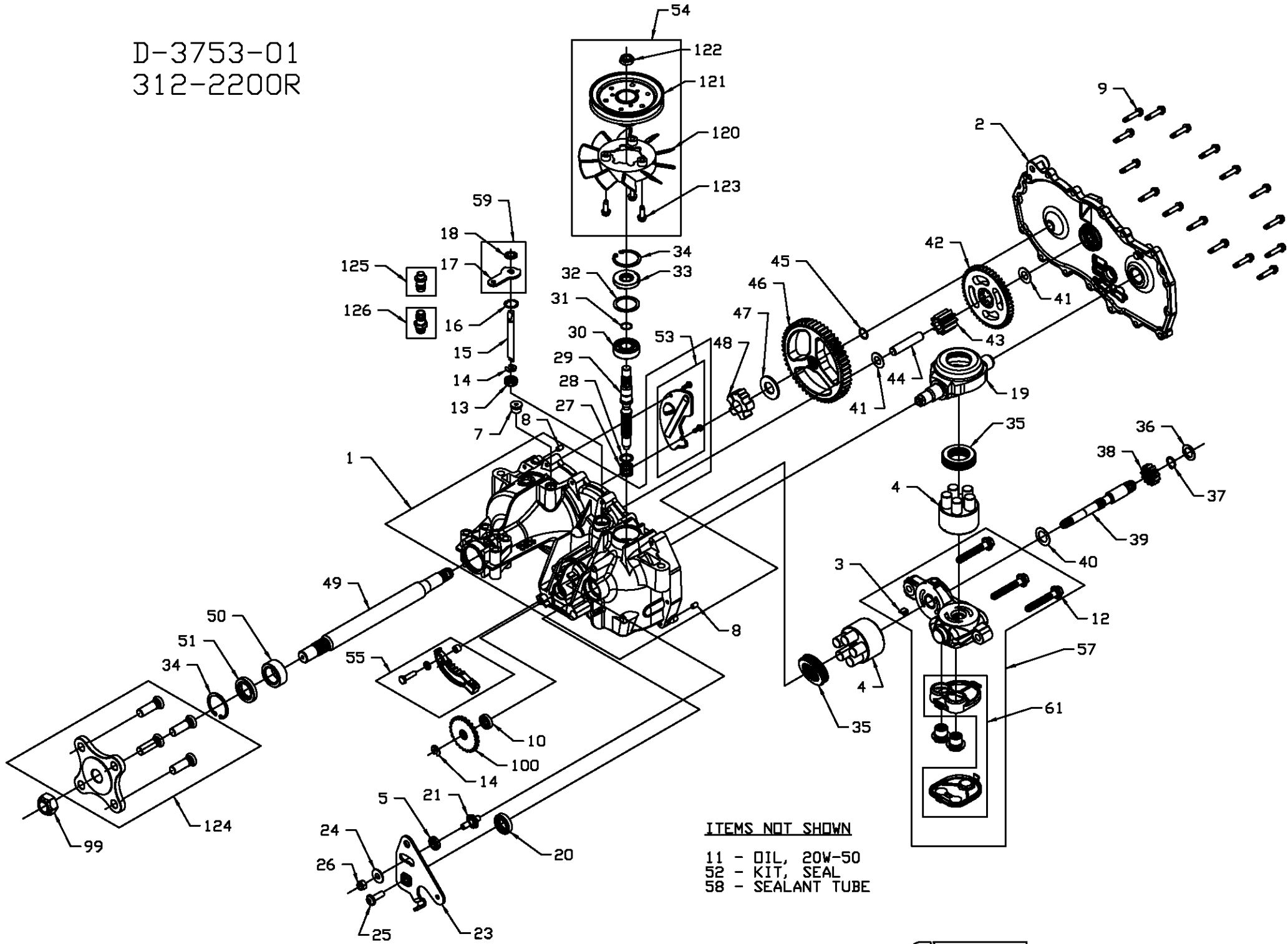
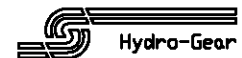


D-3753-01  
312-2200R



ITEMS NOT SHOWN

- 11 - OIL, 20W-50
- 52 - KIT, SEAL
- 58 - SEALANT TUBE



D-3753-01  
312-2200R

| ITEM | PART #       | QTY    | DESCRIPTION  |
|------|--------------|--------|--|
| 1    | 70974R       | 1      | ASSEMBLY, MAIN HOUSING-RH<br>HOUSING, MAIN RH-MACHINED<br>BUSHING, .865 X .985 X .790<br>PLATE, EXPANSION RH<br>SCREW, 10-32 X 1/2 (SELF-TAPPING)<br>PIN, STANDARD, HEADLESS<br>SEALANT TUBE, 10.3 oz<br>SEAL, LIP .375 X .75 X .25<br>BEARING-JOURNAL<br>SEAL, LIP .50" X .88" X .25" |
| 2    | 70983R       | 1      | ASSEMBLY, SIDE-RH<br>HOUSING, SIDE RH-MACHINED<br>BUSHING, .865 X .985 X .790  |
| 3    | 51448        | 1      | PLATE, BYPASS  |
| 4    | 70331        | 2      | ASSEMBLY, BLOCK<br>BLOCK, CYLINDER<br>PISTON<br>SPRING, COMPRESSION<br>WASHER, THRUST  |
| 5    | 51846        | 1      | SPACER   |
| 7    | 9005110-5600 | 1      | PLUG, SAE #6   |
| 8    | 9004800-2506 | 2      | PIN, STAINLESS, HEADLESS   |
| 9    | 51190        | 16     | HFCS 1/4-20 X 1.25 (SELF-TAPPING)  |
| 10   | 9008000-0125 | 1      | SEAL, LIP .50 X .88 X .25  |
| 11   |              | 56 oz. | OIL, 20W-50  |
| 12   | 50016        | 3      | BOLT, HEX FLANGE 3/8-24 X 2.5  |
| 13   | 51626        | 1      | SEAL, LIP .375 X .75 X .25   |
| 14   | 51628        | 2      | RING, RETAINING .375 EXT   |
| 15   | 51625        | 1      | ROD, BYPASS  |
| 16   | 51627        | 1      | RING, RETAINING .750 INT   |
| 17   | 51629        | 1      | ARM, BYPASS  |
| 18   | 51630        | 1      | RING, RETAINING .375 EXT (PUSHNUT)   |
| 19   | 51048        | 1      | SWASHPLATE, TRUNNION, MACHINED   |
| 20   | 51140        | 1      | SEAL, LIP 18 X 32 X 7  |
| 21   | 50426        | 1      | STUD, SHORT 5/16-24  |
| 23   | 51841        | 1      | ARM, CONTROL RH  |
| 24   | 44130        | 1      | WASHER, FLAT 11/32 ID X 7/8 OD X 1/16  |
| 25   | 51812        | 1      | TWCS 5/16-24 X 1.0   |
| 26   | 50317        | 1      | NUT, HEX LOCK 5/16-24 UNJF   |
| 27   | 2003014      | 1      | SPRING-HELICAL COMPRESSION   |
| 28   | 2003017      | 1      | WASHER .591 X .787 X .040  |
| 29   | 51062        | 1      | SHAFT, INPUT   |
| 30   | 50315        | 1      | BEARING, BALL 17MM ID X 40MM OD X 12MM   |
| 31   | 2000022      | 1      | RING, RETAINING WIRE .561 ID   |
| 32   | 50951        | 1      | SPACER   |
| 33   | 51161        | 1      | SEAL, LIP 17 X 40 X 7  |
| 34   | 50329        | 2      | RING, RETAINING  |

| ITEM | PART # | QTY | DESCRIPTION   |
|------|--------|-----|---|
| 35   | 50551  | 2   | BEARING, THRUST 30 X 52 X 13  |
| 36   | 44371  | 1   | WASHER, FLAT 5/8 ID X 1.0 OD X .05  |
| 37   | 44145  | 1   | RING, RETAINING   |
| 38   | 51130  | 1   | GEAR, PINTON, 13T   |
| 39   | 51845  | 1   | SHAFT, MOTOR  |
| 40   | 51069  | 1   | WASHER, MOTOR SHAFT .71 ID X 1.16 OD X .04  |
| 41   | 50132  | 2   | WASHER, HT .5 ID X 1.0 OD X .032  |
| 42   | 51129  | 1   | GEAR, 10T/48T   |
| 43   | 51043  | 1   | GEAR, 10T JACKSHAFT   |
| 44   | 51083  | 1   | PIN, JACKSHAFT  |
| 45   | 44871  | 1   | RING, SPIRAL RETAINING  |
| 46   | 51633  | 1   | GEAR, 52T BULL  |
| 47   | 44875  | 1   | WASHER, 3/4 ID X 1-1/2 OD X .13   |
| 48   | 51088  | 1   | BEARING, SLEEVE (INBOARD)   |
| 49   | 51858  | 1   | SHAFT, AXLE 1.00/.75 X 12.65 (FLANGE)   |
| 50   | 51517  | 1   | BUSHING, 1.003 X 1.571 X .625   |
| 51   | 51518  | 1   | LIP SEAL 1.00 X 1.577 X .25   |
| 52   | 70853  | 1   | KIT, SEAL<br>SEAL, LIP .625 X 1.000 X .250<br>SEAL, LIP .375 X .75 X .25<br>SEAL, LIP 18 X 32 X 7<br>SEAL, LIP 17 X 40 X 7<br>SEAL, LIP .750 X 1.577 X .250<br>SEAL, LIP 1.00 X 1.577<br>SEAL, LIP .50 X .88 X .25<br>RING, RETAINING .375 EXT<br>RING, RETAINING .750 INT<br>RING, RETAINING .375 EXT<br>RING, RETAINING 1.56 INT<br>RING, RETAINING WIRE .561<br>RING, RETAINING .62 EXT<br>RING, RETAINING, SPIRAL |
| 53   | 70868R | 1   | KIT, EXPANSION PLATE, RH<br>PLATE, EXPANSION RH<br>SCREW, 10-32 X 1/2 (SELF-TAPPING)  |
| 54   | 70591  | 1   | KIT, FAN-PULLEY<br>FAN, 6", 10 BLADE<br>PULLEY, 4.5"<br>NUT, HEX LOCK 1/2-20 (NYLON INSERT)<br>SCREW, HEX WASHER HEAD TAPPING 1/4-20 X .75  |

| ITEM | PART # | QTY | DESCRIPTION  |
|------|--------|-----|--|
| 55   | 70865  | 1   | KIT, BRAKE ARM<br>ARM, PARKING BRAKE<br>WASHER .28 X .50 X .063<br>BOLT, 1/4-20 X 1 W/PATCH<br>BUSHING, .260 X .394 X .330   |
| 57   | 70864R | 1   | KIT, CENTER SECTION-FILTER RH<br>CENTER SECTION, RH-MACHINED<br>BUSHING, .707 X .788 X .591<br>PLATE, BYPASS<br>BOLT, HEX FLANGE 3/8-24 X 2.5<br>FILTER, BASE<br>CHECK PLUG ASSEMBLY .027, WASHER<br>ASSEMBLY, COVER |
| 58   | 50928  | 1   | SEALANT TUBE, 10.3 oz  |
| 59   | 70891  | 1   | KIT, BYPASS ARM<br>ARM, BYPASS<br>RING, RETAINING .375 EXT (PUSHNUT)   |
| 61   | 70911  | 1   | KIT, FILTER<br>FILTER, BASE<br>ASSEMBLY, COVER   |
| 99   | 50863  | 1   | NUT, HEX 3/4-16  |
| 100  | 51635  | 1   | DISC, COG BRAKE  |
| 120  | 51365  | 1   | FAN, 6", 10 BLADE  |
| 121  | 50302  | 1   | HUB PULLEY KIT 4.5"  |
| 122  | 51244  | 1   | HEX LOCK NUT, 1/2-20 (NYLON INSERT)  |
| 123  | 50752  | 3   | HEX WASHER HEAD TAPPING SCREW 1/4-20 X .25   |
| 124  | 70314  | 1   | HUB ASSEMBLY, 1/2-20<br>HUB<br>STUD, 1/2-20 X 1.5 (RIB NECK)   |
| 125  | 70109  | 1   | CAP-VENT ASS'Y.<br>PLASTIC VENT<br>CAP-PUPPET VALVE  |
| 126  | 70110  | 1   | FITTING-D RING ASS'Y.<br>PLASTIC HOSE FITTING<br>D-RING  |