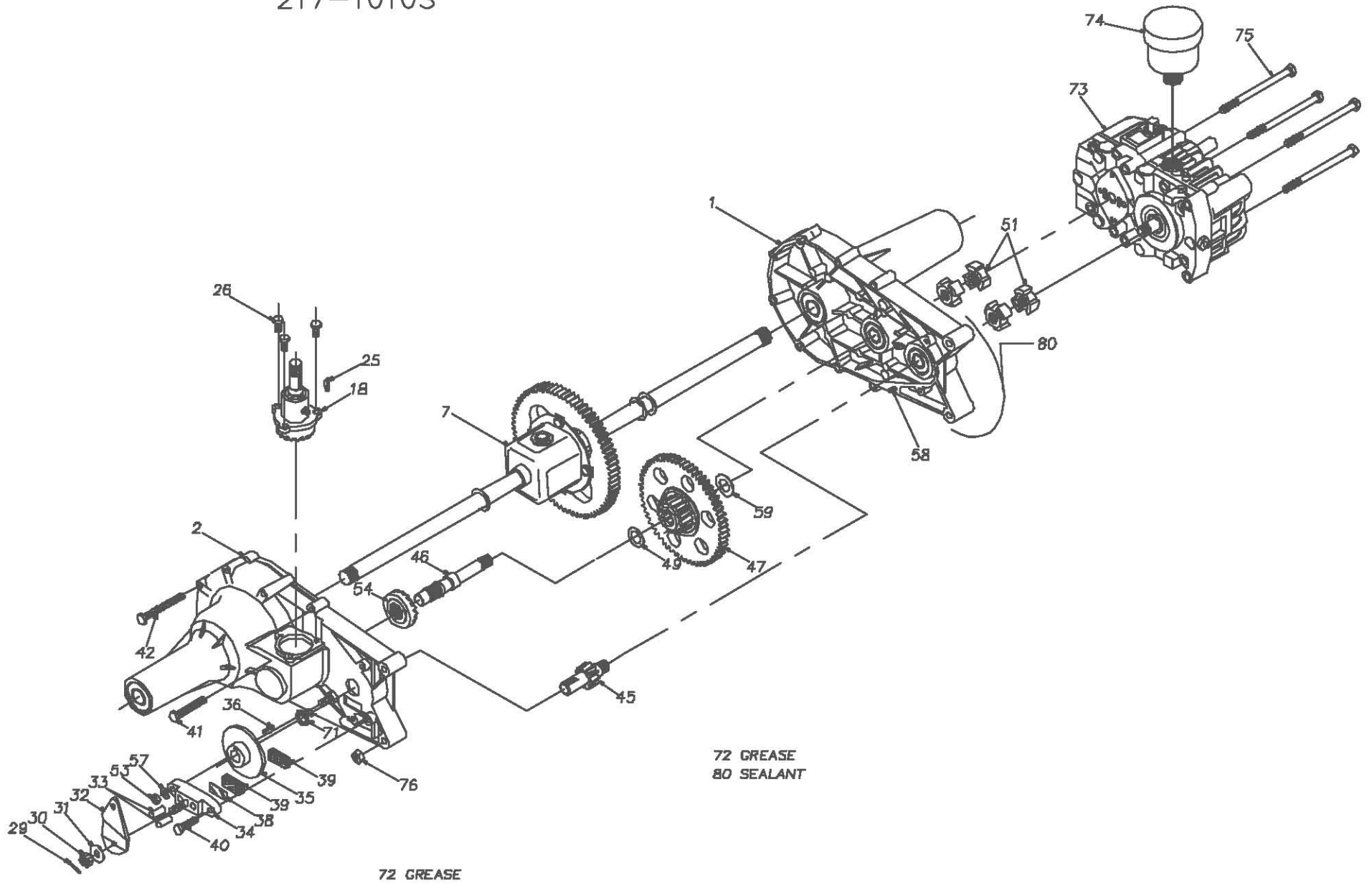


326769  
217-1010S



326769  
217-1010S

REF	HYDRO-GEAR PART NO	QTY	DESCRIPTION	REF	HYDRO-GEAR PART NO	QTY	DESCRIPTION
1	62783	1	ASSY HOUSING, LH	29	44101	1	PIN, COTTER
		1	HOUSING, LH	30	44142	1	NUT, CASTLE 5/16-24
		2	BALL BEARING, 3/4 ID X 40MM X 12MM	31	44130	1	WASHER, FLAT .343 ID X .88 OD X .082 THK
		2	BALL BEARING, .62 ID X 1.38 X .44	32	44094	1	ARM, BRAKE ACTUATOR
2	62586	1	ASSY HOUSING, RH	33	44127	2	PIN, BRAKE ACTUATING
		1	HOUSING, RH	34	62589	1	ASSY BRAKE YOKE
		2	BALL BEARING, 3/4 ID X 40MM X 12MM			1	SQUARE HEAD BOLT
		1	BALL BEARING, .35 OD X 15 ID			1	BRAKE YOKE
		1	BALL BEARING, .62 ID X 1.38 X .44	35	44090	1	DISC, BRAKE
7	62784	1	ASSY DIFFERENTIAL (COMPLETE)	36	44143	1	KEY, HI-PRO 3/16 X 5/8 DIA
		1	LH AXLE, 3/4 DIA.	38	44134	1	PLATE, PUCK
		1	RH AXLE, 3/4 DIA.	39	44132	2	PUCK, BRAKE
		2	MITER GEAR (SPLINED)	40	44433	1	BOLT, HEX W/PATCH 1/4-20 X 1.00 LG
		2	HEX JAM NUT, 1/2-20	41	44123	4	BOLT, HEX SELF-TAP 1/4-20 X 2.00LG
		1	FLANGE BEARING, 3/4 ID X 7/8 OD	42	44124	6	BOLT, HEX SELF-TAP 1/4-20 X 3.00LG
		1	DIFFERENTIAL HOUSING	45	44083	1	SHAFT, PINION W/11 TOOTH GEAR
		1	FLANGE BEARING, 3/4 ID X 1.0 OD	46	44080	1	SHAFT, DRIVE
		1	DIFFERENTIAL GEAR	47	62760	1	ASSY REDUCTION GEAR
		2	MITER GEAR, 1/2 ID			1	REDUCTION GEAR
		1	CROSS SHAFT			1	NEEDLE BEARING
		2	THRUST BEARING, 1/2 X 1 OD			1	DOWEL PIN
		2	RETAINING RING			1	SEAL, 7/8 OD X 5/8 ID X 3/32
		4	DIFFERENTIAL LOCKING BOLT			1	THRUST WASHER
18	62579	1	ASSY INPUT PINION HSG	49	44371	1	WASHER, FLAT .62 ID X 1.0 OD X .05 THK
		1	INPUT SHAFT	51	44084	4	WASHER, FLAT .62 ID X 1.0 OD X .03 THK
		1	RETAINING RING #5100-62	53	43178	1	WASHER, FLAT .62 ID X 1.0 OD X .05 THK
		1	RETAINING RING #5100-43	54	44079	1	COUPLING (HALF)
		1	INPUT HOUSING	57	43177	1	NUT, HEX 1/4-20
		1	NEEDLE BEARING	58	44269	1	GEAR, DRIVE PINION 17T
		1	THRUST BEARING NTA-1018	59	44125	1	WASHER, 1/4" SPRING LOCK
		2	THRUST RACE TRA-1018	71	44378	1	PIN, ROLL 3/16 DIA X 1/2 LG
		1	KEY, HI-PRO	72	50416	2	WASHER, FLAT .62 ID X 1.0 OD X .03 THK
		1	INPUT 17T PINION	73	BDU10S-116	1	SEAL, GREASE
		1	WASHER	74	2003081	1	GREASE (10 OZ TUBE)
		1	NEEDLE BEARING (WITH SEAL)	75	44820	4	TRANSMISSION
		1	GREASE FITTING	76	43083	2	RESERVOIR
25	44136	1	KEY, #4 HI-PRO 3/32 X 5/8 DIA	77	44820	4	BOLT, 5/16-18 X 4-1/2
26	44122	3	SCREW, HEX W/PATCH 1/4-20 X 3/4 LG	78	43083	2	HEX NUT, 5/16-18
				80	50928	1	SEALANT