



WHEEL HORSE PARTS MANUAL

1972
1973



COMMANDO 800 & 8 - 4 SPEED

MODEL AND SERIAL NUMBERS

Serial and model numbers are necessary to correctly identify your tractor and engine whenever you need repair parts. The tractor model and serial numbers are on a plate attached to the hood stand just below the control panel.

The engine model and serial numbers are on a plate attached to the engine shroud.

For your convenience and ready reference, enter the model and serial numbers in the spaces below.

Tractor Model No.

Tractor Serial No.

Engine Model & Spec. No.

Engine Serial No.

TO ORDER PARTS FROM THIS MANUAL

1. Find the illustration of the desired part and note its identifying number.

2. Locate the item number in the parts listing and determine the part number and description.
3. Make sure the part to be ordered is for your model tractor as designated in the Model Application Column.
4. Order the part from your local authorized Wheel Horse Dealer.

WHEEL-HORSE PRODUCTS, INC.

515 W. Ireland Road, South Bend, Indiana 46614

Plate 1.1

FRAME

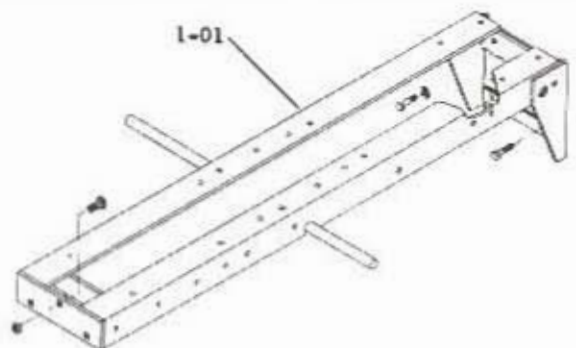


Plate 5.1 FRONT AXLE AND STEERING

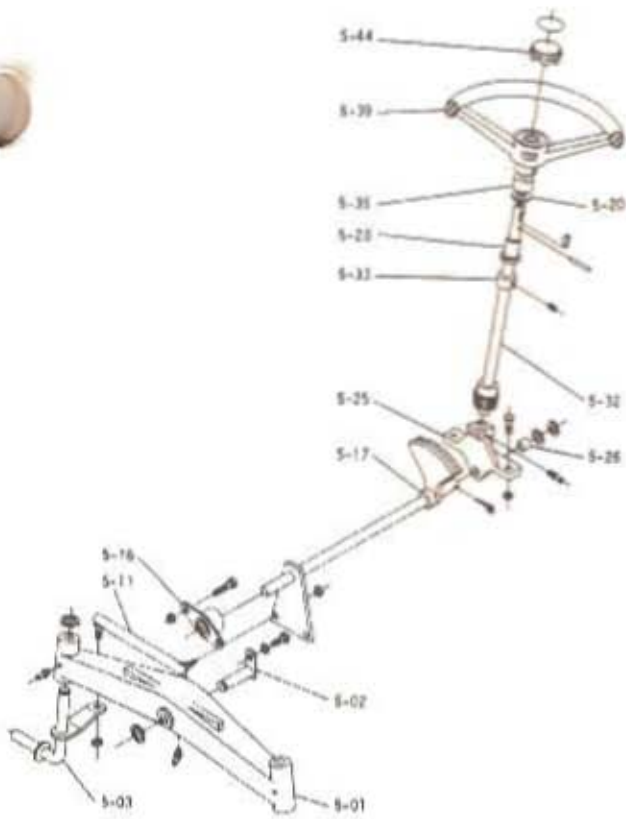


Plate 6.2 BRAKE/CLUTCH LINKAGE

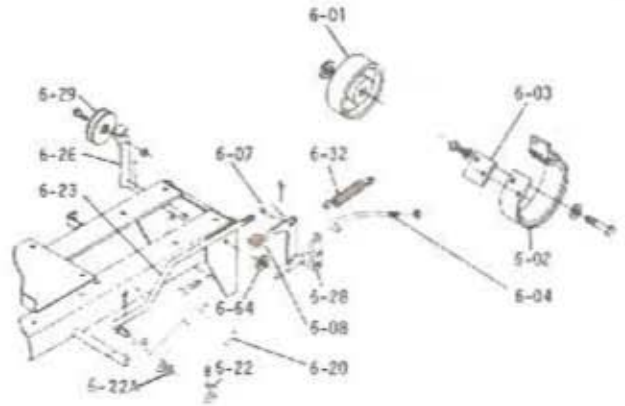
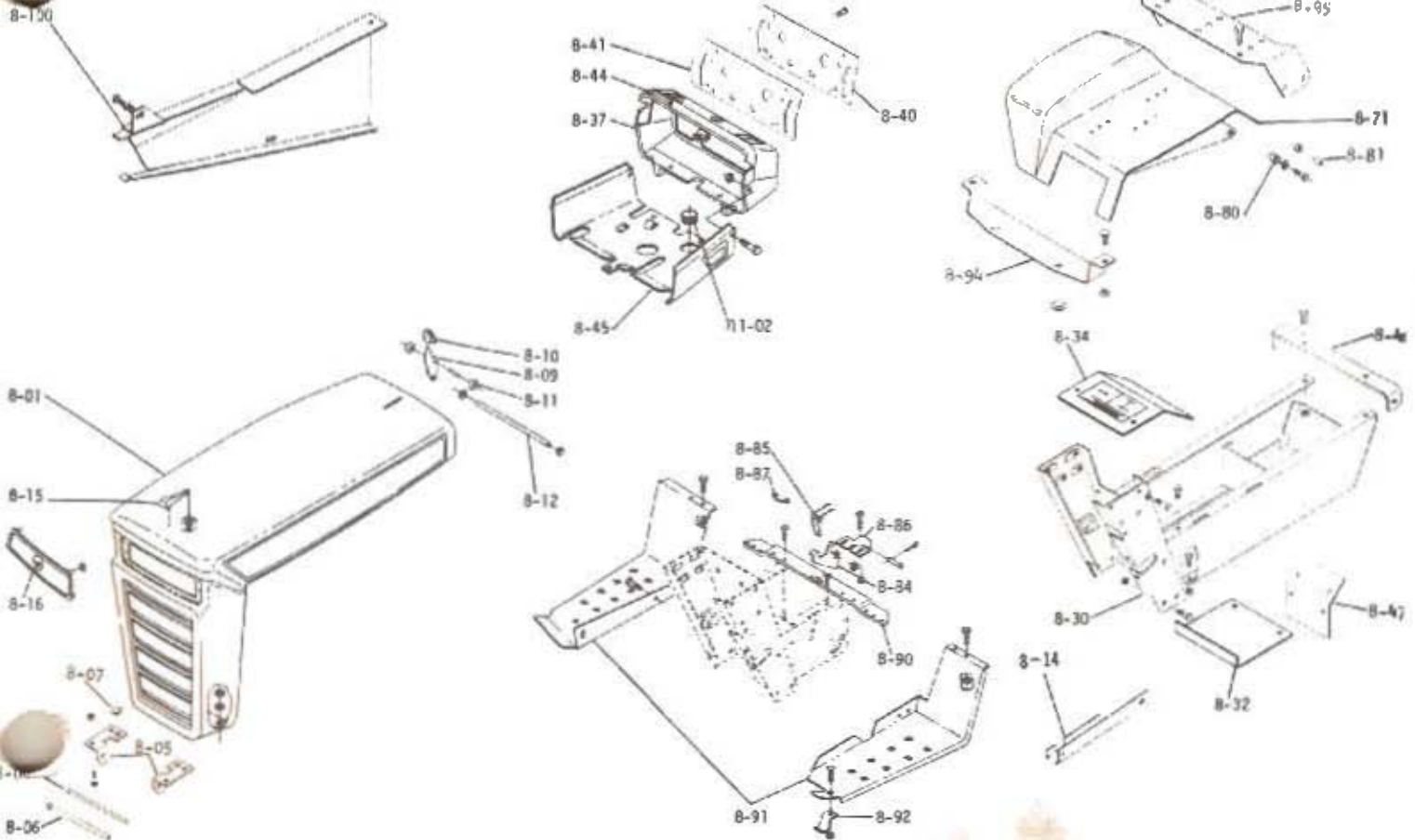


Plate 7.1 HITCHES



8.1

SHEET METAL AND COVERS



ITEM NO.	PART NO.	DESCRIPTION	MODEL APPLICATION	NO. REQ'D
1.000 FRAME ASSEMBLY (PLATE 1.1)				
1-01	102415	Frame Assy.	ALL	1
	908032-4	Bolt, $\frac{3}{8}$ -16 x $\frac{3}{8}$ Trans. Upper	"	2
	920083-4	Lockwasher, $\frac{3}{8}$ Upper Bolts	"	2
	908033-6	Bolt, Eslok $\frac{3}{8}$ 16 x $\frac{3}{8}$	"	2
		Wash. 1w.	"	
	900053-9	Bolt, Carriage $\frac{3}{8}$ -16 x 1 Front Hitch	"	3
	915113-6	Nut, Eslok $\frac{3}{8}$ -16	"	3
2.000 TRANSMISSION 3-SPEED (PLATE 2.1)				
2.010 COMPONENT PARTS, 5085 TRANS. (PLATE 2.2)				
2-10	3900	Case — R.H.	ALL	1
	3901	Case — L.H.	"	1
	908043-4	Bolt, $\frac{3}{8}$ -16 x $2\frac{1}{2}$, Case Lower Rear	"	1
	908038-4	Bolt, $\frac{3}{8}$ -16 x 2, Case	"	5
	915113-6	Nut, $\frac{3}{8}$ -16 Eslok	"	6
	943460	Plug, $\frac{1}{8}$ " Pipe, Oil Drain	"	1
	943420	Plug, $\frac{1}{8}$ " Pipe, Oil Filler	"	1
2-11	1533	Bearing — Ball, 1 $\frac{1}{2}$ " I.D.	"	2
2-12	1528	Bearing, Needle, 1" I.D.	"	2
2-13	1508	Bearing — Needle, $\frac{3}{4}$ " I.D.	"	2
2-14	1532	Bearing — Needle, 1" I.D.	"	2
2-15	1529	Bearing — Needle, $\frac{3}{4}$ " I.D.	"	1
2-16	100441	Seal — Oil, 1 $\frac{1}{2}$ " Shaft	"	2
2-17	100863	Seal — Oil, 1" Shaft	"	2
2-18	3915	Pin — Dewar	"	2
2-20	1523	Gear — Needle, $\frac{3}{4}$ " I.D.	"	1
2-21	1531	Gearing — Needle, $\frac{3}{8}$ " I.D.	"	1
2-22	101053	Case — Differential	"	2
	908146	Bolt, $\frac{3}{8}$ -18 x $3\frac{1}{2}$ Thru Bolt	"	4
	915062-4	Nut, $\frac{3}{8}$ -18 ES	"	4
2-23	3906	Gear — Differential Bull	"	1
2-24	101628	Gear — Differential Pinion	"	4
2-25	3909	Shaft	"	1
2-26	3908	Gear Axle	"	2
2-27	107487	Axle — Rear	"	2
	7939	Snap Ring — Axle	"	2
2-28	3522	Gear — Input	"	1
2-29	1518	Bearing — Needle, $\frac{3}{8}$ " I.D.	"	1
2-30	3523	Gear — Hi and 2nd	"	1
2-31	3907	Shaft — Spring	"	1
	936125	Snap Ring, $\frac{3}{8}$ Truarc	"	1
2-32	3524	Gear — Low and Reverse	"	1
2-33	3526	Gear — Pinion — Splined	"	1
2-34	5615	Rat — Front Shift	"	1
2-35	3616	Roll — Rear Shift	"	1
2-36	3503	Fork — Shift	"	2
	933156	Roll Pin, $\frac{1}{8}$ x 1	"	2
2-37	3517	Ball — Shift Stop	"	2
2-38	3518	Spring — Shift Stop	"	1
2-39	5614	Pin — Shift Stop	"	1
2-40	1243	Pin — Cup	"	1
2-41	3528	Gear — Cluster	"	1
2-42	1504	Bearing — Bronze, $\frac{3}{8}$ " I.D.	"	2
2-43	3527	Gear — Reduction	"	1
2-44	9840	Shift — Cluster Gear & Brake	"	1
	937014	Key, #9 Woodruff	"	1
2-45	4204	Gear — Reverse Idler	"	1
2-46	1316	Bushing — Bronze, $\frac{1}{2}$ " I.D.	"	1
2-47	101626	Gear — 4th	"	1
2-48	101625	Gear — 11T	"	1
2-49	101626	Washer — Thrust	"	1
2-52	3912	Gasket — Case	"	1
2-53	5632	Asy. — Shift Stick	"	1
2-54	1239	Set Screw — 14-20 x $\frac{1}{4}$ Dogpoint	"	1
	915111-4	Nut, $\frac{1}{2}$ -20	"	1
2-55	3577	Boot	"	1
2-56	102571	Knob	"	1

ITEM NO.	PART NO.	DESCRIPTION	MODEL APPLICATION	NO. REQ'D
5.000 FRONT AXLE AND STEERING (PLATE 5.1)				
5-01	5632	Axle — Front	ALL	1
	1000	Fitting — Grease	"	2
	1481	Fitting — Grease	"	1
5-02	6216	Pin and Plate Assy.	"	1
	908015-4	Bolt, $\frac{3}{8}$ -18 x $\frac{1}{2}$	"	1
	920082-2	Lockwasher, $\frac{3}{8}$	"	1
5-03	5630	Spindle Assy. — R.H.	"	1
	5631	Spindle Assy. — L.H.	"	1
	5618	E-Ring	"	3
5-11	102592	Ball Joint Assy. — R.H.	"	1
	102593	Ball Joint Assy. — L.H.	"	1
	9749	Stop, Steering	"	1
	915002-6	Nut, Eslok $\frac{3}{8}$ 24	"	4
5-16	6472	Bearing and Housing	"	1
	906034-4	Bolt, $\frac{3}{8}$ -16 x 1	"	2
	915113-6	Nut, Eslok $\frac{3}{8}$ -16	"	2
5-17	102402	Shaft Assy., Lower Steering	"	1
	5210	Washer, Shim (.015)	"	1
	1278	Washer, Shim (.030)	"	1
	932033-4	Cutter Pin, $\frac{3}{8}$ x $1\frac{1}{2}$	"	1
5-20	7894	Washer, Spring	"	1
5-25	6396	Support Assy., Lower Steering	"	1
	906035-4	Bolt, $\frac{3}{8}$ -15 x $1\frac{1}{2}$	"	2
	915113-6	Nut, $\frac{3}{8}$ -16 Eslok	"	2
	1030	Fitting — Grease	"	1
5-26	6897	Bushing, Lower Shaft	"	1
5-28	101442	Bushings, Steering Column	"	1
5-32	7447	Shaft Assy., Upper Steering	Co B	1
	102862	Shaft Assy., Upper Steering	8-4	1
5-33	1085	Collar, Set	ALL	1
	909848-5	Set Screw, $\frac{1}{4}$ -20 x $\frac{1}{4}$ Nylon	"	1
5-35	7468	Collar, Steering	"	1
5-39	7420	Wheel, Steering	"	1
	102715	Wheel, Steering	8-4	1
	932229	Pin — Splined $\frac{3}{4}$ x 2	ALL	1
	937014	Key — Woodruff #9	Co B	1
5-44	102856	Insert — Steering — Wheel	8-4	1
	7469	Insert, Steering Wheel	Co B	1
	7421	Decal, Steering Wheel Insert	Co B	1
6.000 BRAKE/CLUTCH LINKAGE (PLATE 6.1)				
6-01	102717	Drum — Brake	ALL	1
	908032-5	Bolt, $\frac{3}{8}$ -16 x $\frac{3}{4}$ Nylon	"	1
	2844	Washer, Special	"	1
6-02	9993	Brake Band Assy.	"	1
	908002-4	Bolt, $\frac{1}{4}$ -20 x $\frac{3}{8}$ Brake Anchor	"	2
	920081-4	Lockwasher, $\frac{1}{4}$	"	2
6-03	9598	Plate — Park Brake Stop	"	1
6-04	9599	Rod — Brake	"	1
	915063-4	Nut, $\frac{3}{8}$ -16 ES	"	1
	932017-4	Cutter Pin, $\frac{1}{8}$ x 1	"	1
6-07	1661	Stud — Clutch Rod	"	1
	932017-4	Cutter Pin, $\frac{1}{8}$ x 1	"	2
6-08	5544	Handle — Parking Brake	"	1
6-20	2267	Pedal	Co B	1
	102367	Pedal	8-4	1
6-22	1085	Collar	ALL	1
	909848-5	Set Screw, $\frac{1}{4}$ -20 x $\frac{1}{4}$ Nylon	"	1
6-22A	7896	Washer, Spring	"	1
6-23	2593	Rod and Guide Assy.	"	1
	932017-6	Cutter Pin, $\frac{1}{8}$ x 1	"	1
6-26	9757	Idler Arm Assy.	"	1
	933158	Roll Pin, $\frac{1}{8}$ x $1\frac{1}{2}$	"	1
6-28	4899	Arm — Clutch Rod Pivot	"	1
	933158	Roll Pin, $\frac{1}{8}$ x $1\frac{1}{2}$	"	1

ITEM NO.	PART NO.	DESCRIPTION	MODEL APPLICATION	NO. REQ'D.
6-29	7451	Pulley — Idler	"	1
	911404-4	Bolt, $\frac{3}{8}$ -16 x 1 $\frac{1}{2}$ Special	"	1
	913113-6	Nut, $\frac{3}{8}$ -16 Eslok	"	1
6-32	1014	Spring	"	1
6-64	3765	Washer, $\frac{3}{4}$ " Dia. Special	"	1
7.000 HITCH ASSEMBLIES (PLATE 7.1 & 7.2)				
7-01	6710	Latch and Shaft Assy.	Co 8	1
	102639	Latch and Shaft Assy.	B-4	1
	932120-4	Pin, Clevis	Co 8	1
	933503-4	Halfpin Cotter	"	1
7-02	4496	Plate — R.H. Mounting	Co 8	1
	908034-4	Bolt, $\frac{3}{8}$ -16 x 1	ALL	2
	913113-6	Nut, $\frac{3}{8}$ -16 Eslok	"	2
7-03	4497	Plate — L.H. Mounting	Co 8	1
	908034-4	Bolt, $\frac{3}{8}$ -16 x 1	ALL	2
	913113-6	Nut, $\frac{3}{8}$ -16 Eslok	"	2
7-12	101711	Hitch — Front	ALL	1
7-13	101741	Latch Assy. — Hitch	"	1
7-14	101750	Rod, Latch Pivot	"	1
7-15	101751	Rod, Lock	"	1
	100398	E-Ring — $\frac{3}{8}$	"	5
7-16	101707	Lock	"	1
7-17	8616	Spring	"	1
7-18	3680	Cap	"	1
7-20	3644	Hitch	"	1
7-22	1547	Pin — Hitch Mounting	"	1
	979120-4	Spacer	"	2
	936125	Snap Ring, $\frac{3}{8}$ Shaft	"	2
	1813	Tool Pin	"	1
7-24	102644	Plate — R.H. & L.H.	B-4	2
7-25	102672	Rod — Lock	"	1
7-26	101017	Lock	"	1
7.030 LIFT LINKAGE (PLATE 7.2)				
7-30	5448	Lift Lever Assy.	ALL	1
	933506-4	Halfpin Cotter, Mounting Block	"	1
	908015-4	Bolt, $\frac{3}{8}$ -18 x $\frac{1}{2}$ Mounting	"	3
	920082-4	Lockwasher, $\frac{3}{8}$	"	3
7-31	3680	Cap — Rod End	"	2
7-32	6542	Grip — Handle	"	1
7-33	3624	Spring	"	1
7-35	3578	Guide — Plunger Rod	"	1
7-36	5449	Plunger Rod	"	1
7-37	4438	Plunger	"	1
	933168	Bolt Pin, $\frac{3}{16}$ x $\frac{3}{16}$	"	1
7-38	102797	Plug	B-4	1
7-40	5640	Quad. Pin	ALL	1
7-41	2179	Rod — Height Control	"	1
7-42	5260	Knob — Height Control	"	1
	926715-4	Bolt, $\frac{3}{8}$ -16 x $\frac{3}{4}$ S.T.	"	2
7-43	8277	Conduit Assy.	"	1
7-56	102373	Lift Bar Assy.	"	1
7-57	6229	Bearing	"	1
	5701	E-Ring $\frac{1}{2}$ "	"	1
7-58	102385	Rod, Lift	"	1
7-59	6739	Trunnion	"	1
	933504-4	Halfpin Cotter	"	1
	932083-4	Cotter Pin, $\frac{3}{16}$ x $\frac{3}{4}$	"	1
	913663-4	Nut, $\frac{3}{8}$ -16 E.S.	"	1
8.000 SHEET METAL AND COVERS (PLATE 8.1)				
8-01	9698	Hood Assy.	ALL	1
8-05	102368	Bracket — Grille Pivot — R.H.	"	1
	102369	Bracket — Grille Pivot — L.H.	"	1
	900037-4	Bolt, $\frac{3}{8}$ -18 x $\frac{3}{4}$ Carriage	"	4
	913112-6	Nut, $\frac{3}{8}$ -18 Eslok	"	4
8-06	101710	Rod — Front	"	1
	100398	Ring, Retainer	"	2

ITEM NO.	PART NO.	DESCRIPTION	MODEL APPLICATION	NO. REQ'D.
8.06A	101850	Rod — Hood Stop	"	1
	932000-4	Cotter Pin, $\frac{3}{16}$ x $\frac{1}{2}$	"	2
8-09	5467	Lever — Hood Latch	"	1
	933182	Rail Pin, $\frac{3}{8}$ x $\frac{3}{8}$	"	1
8-10	5469	Knob — Hood Latch	"	1
8-11	5648	Ballot — Steel	"	2
8-12	5522	Rod — Hood Latch	"	1
	5460	Speed Nut, $\frac{1}{4}$ Push On	"	1
		$\frac{3}{8}$ Dia.	"	2
	935932-4	Nut, 70-32 Hi Crown	"	2
8-14	102870	Channel	B-4	1
8-15	5438	Ornament — Hood	ALL	1
	5437	Speed Nut, $\frac{1}{2}$ Dia. Push On	"	2
	100646	Washer, Rubber	"	2
8-16	7416	Plate Escutcheon	"	1
	7721	Clip	"	4
	100646	Washer, Rubber	"	4
8-30	102795	Hoodstand Assy.	B-4	1
	101898	Hoodstand Assy.	Co 8	1
	908034-4	Bolt, $\frac{3}{8}$ -16 x 1 To Frame	ALL	4
	913113-6	Nut, $\frac{3}{8}$ -16 Eslok	"	4
	908032-4	Bolt, Tool Box $\frac{3}{8}$ -16 x $\frac{3}{4}$	"	2
	920009-4	Washer, $\frac{3}{8}$ SAE	"	2
	920063-4	Lockwasher, $\frac{3}{8}$	"	2
8-32	6825	Cover — Dust	"	1
	908017-4	Bolt, $\frac{3}{8}$ -18 x $\frac{3}{4}$	"	2
	915172-6	Nut, $\frac{3}{8}$ -18 Eslok	"	2
8-34	3622	Plate, Cover	"	1
	960151-4	Bolt, $\frac{1}{4}$ -20 x $\frac{1}{2}$ Whitlock	"	2
8-37	5450	Mounting — Control Panel	"	1
	960152-4	Bolt, $\frac{1}{4}$ -20 x $\frac{3}{8}$ Whitlock	"	4
	915111-6	Nut, $\frac{1}{4}$ -20 Eslok	"	4
8-40	102864	Panel	B-4	1
	101882	Panel — Dash	Co 8	1
8-41	301841	Plate — Backup	ALL	1
	5447	Speednut #10-16, Tinnerman	"	4
	102168	Screw S.T. 10-16 x $\frac{3}{4}$ "	"	4
8-44	5606	Cap — Hood Insulation	"	AR
8-45	100542	Support — Fuel Tank	"	1
	926694-4	Screw, $\frac{3}{8}$ -18 x $\frac{3}{8}$ S.T.	"	4
	3023	Clip	"	AR
8-46	102304	Bracket — Seat Pivot	"	1
	908032-4	Bolt, $\frac{3}{8}$ -16 x $\frac{3}{4}$	"	2
	913113-6	Nut, $\frac{3}{8}$ -16 Eslok	"	2
8-47	102714	Bracket Instrument	"	1
	MW-4473	Clip, Tinnerman $\frac{1}{4}$ -20	"	2
	960151-4	Bolt, Whitlock $\frac{1}{4}$ -20 x $\frac{1}{2}$	"	2
8-71	102370	Fender	"	1
8-80	2579	Bushing — Bronze	"	2
8-81	4937	Spacer	"	2
	908035-4	Bolt, $\frac{3}{8}$ -16 x 1 $\frac{1}{2}$	"	2
	915653-4	Nut, $\frac{3}{8}$ -16 E.S.	"	2
	920009-4	Washer, $\frac{3}{8}$ — SAE	"	2
8-84	7464	Latch — Fender	"	1
8-85	MW-8863	Spring — Latch	"	1
	5977	Bushing	"	1
	7517	Pin, $\frac{3}{8}$ Rod End	"	1
	932008-4	Cotter Pin, $\frac{3}{16}$ x $\frac{3}{4}$	"	1
8-86	7616	Bracket — Fender Latch	"	1
	908035-4	Screw, $\frac{1}{4}$ -20 x 1	"	2
	913111-6	Nut, $\frac{1}{4}$ -20 Eslok	"	2
8-87	7882	Stop — Fender Latch	"	1
8-90	7463	Bracket — Foot Rest	"	1
	926694-4	Screw, $\frac{3}{8}$ -18 x $\frac{3}{8}$ S.T.	"	2
8-91	7454	Foot Rest — R.H.	Co 8	1
	7453	Foot Rest — L.H.	"	1
8-92	102798	Foot Rest — R.H.	B-4	1
	102799	Foot Rest — L.H.	"	1
	102788	Pad — Foot Rest — R.H.	"	1
	102789	Pad — Foot Rest — L.H.	"	1
	908017-4	Bolt, $\frac{3}{8}$ -18 x $\frac{3}{4}$ To Bracket	ALL	4
	915662-4	Nut, $\frac{3}{8}$ -18 E.S.	"	4
	960175-4	Bolt, $\frac{3}{8}$ -18 x $\frac{1}{2}$ To Bolt Good	"	3

ITEM NO.	PART NO.	DESCRIPTION	MODEL APPLICATION	NO. REQ'D.
8-92	7456	Bracket — Foot Rest Anchor	ALL	2
	900037-4	Bolt, $\frac{1}{2}$ " x $\frac{3}{4}$ " Carriage	"	2
	915662-4	Nut, $\frac{3}{8}$ " E.S.	"	2
8-94	102249	Bracket — Fender (Front)	"	1
	920007-4	Bolt, $\frac{1}{2}$ " x $\frac{5}{8}$ " Carriage	"	2
	915112-6	Nut, $\frac{3}{8}$ " Eslak	"	2
	5667	Bump per. Rubber	"	2
8-95	102249	Bracket — Fender Hinge	"	1
8-100	101958	Belt Guard Assy.	"	1
	908032-4	Bolt, $\frac{3}{8}$ " x $\frac{3}{4}$ "	"	1
	920003-4	Lockwasher, $\frac{3}{8}$ "	"	1
	920039-4	Washer, $\frac{3}{8}$ "	"	1
9 000 ENGINE (PLATE 9.1)				
9-02	101867	Engine 8 H.P. Kohler	ALL	1
	908035-4	Bolt, $\frac{3}{8}$ " x $\frac{1}{2}$ " Eng. Mount	"	4
	915663-4	Nut, $\frac{3}{8}$ " E.S.	"	4
9-03	102317	Base — Engine Mounting	"	1
	908034-4	Bolt, $\frac{1}{2}$ " x $\frac{1}{2}$ " To Frame	"	2
	915663-4	Nut, $\frac{3}{8}$ " E.S.	"	6
	928715-4	Screws, $\frac{1}{4}$ " x $\frac{3}{8}$ " S.T.	"	2
9-06	943335-4	Nipple, Special ... Drain	"	1
	5222	Elbow, $\frac{3}{8}$ " x 90°	"	1
	5274	Cap $\frac{3}{8}$ " Pipe	"	1
10 000 FUEL AND EXHAUST SYSTEMS (PLATE 10.1)				
10-02	101837	Choke Control Assy.	ALL	1
10-03	101935	Throttle Control Assy.	"	1
	8713	Screw, Pan Head 10-24 x $\frac{3}{4}$ "	"	4
	915964-4	Nut — Keys 10-24	"	4
10-04	102186	Knob, Choke	"	1
10-04A	102185	Knob, Throttle	"	1
10-13	100452	Strap, Engine (PTO Side)	"	1
	920007-4	Washer — $\frac{1}{2}$ " SAE	"	1
	910790-4	Screw — 10-24 x $\frac{3}{4}$ "	"	2
	915538-4	Nut — 10-24 Eslak	"	2
10-14	100729	Clip, To Fuel Tank Support	"	2
	7922	Clip	"	2
10-20	8028	Tank, Fuel	"	1
10-21	102321	Cap, Fuel Tank	"	1
10-22	108147	Wire, Tank Hold Down	"	1
10-23	6949	Spring	"	1
10-30	8023	Valve, Fuel	"	1
	5189	Spacer	"	1
10-31	100327	Filter Assy. — Fuel	"	1
10-32	9212	Hose—Fuel—Valve to Tank 6.5"	"	1
	9714	Hose—Fuel—Tank to Filter 8.5"	"	1
	102604	Hose—Fuel—Filter to Pump 16"	"	1
	*102713	Hose—Fuel—Pump to Carb. 3"	"	1
	*100088	Hose — Valve to Filter 9.5"	"	1
	*Cut from 6554			
10-33	101349	Clamp, Hose, Adjustable	ALL	1
10-34	950154	Clamp, Corbin $\frac{1}{2}$ "	"	5
10-35	101861	Clamp — Hose	"	1
10-45	943367-4	Nipple, Pipe 1" x $2\frac{1}{2}$ "	ALL	1
	102645	Clamp — Muffler	"	1
10-46	103065	Muffler	9-4	1
10-47	103096	Nipple	"	1
11 000 ELECTRICAL SYSTEM (PLATE 11.1)				
11-01	102732	Harness — Wiring	9-4	1
	102609	Harness — Wiring (Main)	Co B	1
	100371	Tie — Wire Retainer	AR	1
	101446	Insulator (Plastic Shield)	"	1
	3623	Retainer — Clip	"	2
11-02	101971	Grommet, Rubber (Lit. Plate 8.1)	"	1
11-03	3660	Wire, Battery to Ground	"	1
ITEM NO.				
PART NO.				
DESCRIPTION				
MODEL APPLICATION				
NO. REQ'D.				
11-04	9455	Wire, Battery to Solenoid	"	1
11-05	8655	Wire, Solenoid to Starter	"	1
11-06	102250	Wire Assy. — Interlock Switch to Solenoid	"	1
11-07	102251	Wire Assy. — Interlock Switch to Harness	"	1
	103860	Wire	9-4	1
11-20	101917	Switch — Ignition	ALL	1
	101884	Nut — Hex Special $\frac{3}{8}$ "	"	1
	920160-4	Lockwasher, $\frac{3}{8}$ "	"	1
11-21	7262	Key — Ignition Switch	"	2
11-26	8658	Solenoid	"	1
	940131-4	Bolt, $\frac{1}{2}$ " x $\frac{20}{32}$ x $\frac{1}{2}$ " Whitlock	"	2
11-28	101430	Regulator — Rectifier	"	1
	908003-4	Bolt, $\frac{3}{8}$ " x $\frac{3}{4}$ "	"	2
	915111-6	Nut, $\frac{1}{2}$ " Eslak	"	2
11-29	102371	Plate — Call Mounting	"	1
11-30	101845	Switch — Interlock	"	1
	102277	Nut — Switch $\frac{3}{8}$ "	"	1
11-31	101827	Bracket — Switch Mounting	"	1
	908034-4	Bolt — $\frac{3}{8}$ " x $\frac{1}{2}$ "	"	1
	915113-6	Nut — $\frac{3}{8}$ " Eslak	"	1
11-40	100503	Battery	"	1
	908003-4	Bolt, $\frac{1}{2}$ " x $\frac{20}{32}$ x $\frac{3}{4}$ " Bot. Terminal	"	2
	908007-4	Nut, $\frac{1}{2}$ " Bot. Terminal	"	2
	915111-6	Washer, $\frac{3}{4}$ "	"	2
11-41	100438	Cap — Battery Cell	"	4
11-45	4953	Battery Box Assy.	"	1
	915112-6	Nut, $\frac{1}{2}$ " Eslak	"	2
11-46	4958	Link — Battery Clamp	"	1
	915111-6	Nut $\frac{1}{2}$ " x $\frac{20}{32}$ Eslak	"	2
	935109-4	Plug — Button — Lighter	9-4	1
	935090-4	Plug — Button — Switch	"	1
13 000 WHEELS AND TIRES (PLATE 13.1)				
13-01	8117	Wheel & Tire Assy. — Front	ALL	2
13-02	8121	Wheel & Tire Assy. — Rear	"	2
13-03	8118	Wheel & Hub — Front	"	2
13-04	8122	Wheel — Rear	"	2
	5435	Valve — Tubeless Tire	"	4
13-05	8119	Tire 15 x 600-6 Front	"	2
13-06	8123	Tire 20 x 400-10 Rear	"	2
13-07	104079	Tube 15 x 600-6 Front (Service Only)	"	2
13-08	100040	Tube 20 x 8.00 (Service Only)	"	7
13-11	100166	Bearing — Front Wheel	"	2
	908033-6	Bolt, $\frac{3}{8}$ " x $\frac{1}{4}$ "	"	2
	928015-4	Washer, $\frac{3}{4}$ "	"	2
	2844	Washer	"	2
	1278	Washer (.050")	"	2
	5210	Washer (.015")	"	2
13-15	100174	Hub, Wheel (5 Bolt)	"	2
	909554	Set Screw, $\frac{3}{8}$ " x $1\frac{1}{2}$ " x 1 Sq. Hd.	"	2
	915236-4	Nut — Hex $\frac{3}{8}$ " x $1\frac{1}{2}$ " Jam	"	2
	937022	Key — Woodruff #15	"	2
13-16	102600	lug Bolt	"	10
13-21	8120	Hub Cap	"	2
14 000 DRIVE BELTS, PULLEYS (PLATE 14.1)				
14-01	7473	V-Belt — Drive	ALL	1
14-03	101875	Pulley — Engine	"	1
	6507	Key — $\frac{1}{4}$ " x $\frac{1}{4}$ " x $\frac{1}{2}$ "	"	1
	909862-5	Set Screw, $\frac{3}{8}$ " x $\frac{3}{8}$ "	"	2
14-10	100475	Pulley, Trans. Main Drive	"	1
	937014	Key	"	1
	909862-5	Set Screw	"	1

ITEM NO.	PART NO.	DESCRIPTION	MODEL APPLICATION	NO. REQ'D.
14.050 MANUAL P.T.O. (PLATE 14.3)				
14-50	4355	Rod, Clutch Control	ALL	1
14-51	2709	Knob, Clutch Rod	"	1
14-52	4383	Bracket	"	1
	926694-4	Screw, $\frac{3}{16}$ 18 x $\frac{3}{4}$ S.T.	"	2
14-53	6655	Clutch Hair & Faang Assy.	"	1
	6656	Plate - Guide	"	1
	4365	Faang	"	1
	6657	Rivet	"	6
14-54	6935	Race, Bearing	"	1
14-55	6659	Retainer, Bearing Race	"	2
	960151-4	Bolt, $\frac{1}{4}$ 20 x $\frac{1}{2}$ Whitlock	"	4
14-56	6663	Seal	"	1
14-57	6662	Bearing	"	1
14-58	9209	Housing - Clutch & Pulley	"	1
14-59	5196	Bearing, Ball	"	1
14-60	936032	Snap Ring, $1\frac{1}{2}$ Bore	"	1
14-61	933506-4	Hairpin Cotter	"	1
14-62	936125	Snap Ring, $\frac{3}{4}$ Shaft	"	1
14-63	5197	Shaft, Clutch	"	1
14-64	101896	Ret & Male Assy.	"	1
14-65	909034-6	Bolt, $\frac{3}{8}$ 16 x 1	"	1
14-66	920083-4	Lockwasher, $\frac{3}{8}$	"	1
14-67	920080-3	Set Screw, $\frac{3}{8}$ 16 x $\frac{3}{4}$	"	1
14-68	915113-6	Nut, $\frac{3}{8}$ 16 Eslak	"	2
14-69	5194	Hexal - Clutch Adjustment	"	1

14.200 MANUAL PTO (PLATE 14.4)

14-75	102872	Shaft - Clutch	B-4	1
14-76	102938	Rod - Housing	"	1
14-77	933172	Split Pin $\frac{3}{16}$ x $1\frac{1}{2}$	"	2
14-78	102941	Clevis	"	1
14-79	102956	Pin	"	1
14-80	909880-5	Set Screw $\frac{3}{8}$ 16 x $\frac{3}{4}$	"	1
14-81	102967	Bracket - Engine	"	1
14-82	920083-4	Lockwasher $\frac{3}{8}$	"	1
14-83	102943	Plate	"	1
14-84	102704	Spacer	"	1
14-85	906034-4	Bolt - Hex $\frac{3}{8}$ 16 x 1	"	1
14-86	102809	Nut Flange	"	1

ITEM NO.	PART NO.	DESCRIPTION	MODEL APPLICATION	NO. REQ'D.
14-87	102937	Rod - Clutch	"	1
14-88	101161	Trunion	"	1
14-89	932016-4	Center Pin $\frac{1}{8}$ x $\frac{1}{4}$	"	1
14-90	933505-4	Hairpin	"	1
14-91	1230	Spring	"	1
14-92	102944	Clutch Lever Assy	"	1
14-93	102964	Spacer	"	1
14-94	7879	Bushing	"	2
14-95	5701	E-Ring $\frac{1}{2}$ Shaft	"	1
14-96	9038	Grp	"	1
14-97	920011-4	Washer $\frac{3}{8}$	"	1
14-98	3765	Washer - Shim	"	1
14-99	102970	Support	"	1
14-100	908035-4	Bolt - Hex $\frac{3}{8}$ 16 x $1\frac{1}{2}$	"	2
14-101	915113-6	Nut $\frac{3}{8}$ 16	"	2
14-102	9690	Spacer	"	1
14-103	933506-4	Hairpin	"	1

15.000 SEATS, DECALS, MISC. TRIM (PLATE 15.1)

15-01	100780	Cushion - Seat One Piece	C-8	1
	101444	Top - Foam	"	9
	908035-4	Bolt, $\frac{3}{8}$ 18 x $\frac{1}{2}$	"	2
	908014-4	Bolt, $\frac{3}{8}$ 18 x $\frac{3}{8}$	"	2
	920087-4	Lockwasher - $\frac{3}{8}$	"	4
15-20	100000	Decal - Hood Trim	"	2
	107831	Decal - Hood Trim	B-4	2
15-23	101946	Decal - Commando 800 - 3 Speed	"	2
15-25	8138	Decal - Fender	"	1
15-26	100614	Reflector - Fender	"	1
15-32	7472	Decal - Seat Latch	"	1
15-33	7883	Decal - Shift Pattern	"	1
15-34	101226	Decal - Caution (lower Hood Stand)	"	1
15	103028	Decal - 8 H.P.	B-4	2
15	102843	Decal - Caution	ALL	1
15	102844	Decal - Read Operator Manual	"	1
15	102948	Decal - Hand Lift	"	1
15	102847	Decal - 4 Speed	B-4	1
15	102842	Decal - Park Brake	ALL	1
15	102859	Decal - PTO	"	1

Plate 14.4

**PTO CLUTCH
8 4-SPEED**

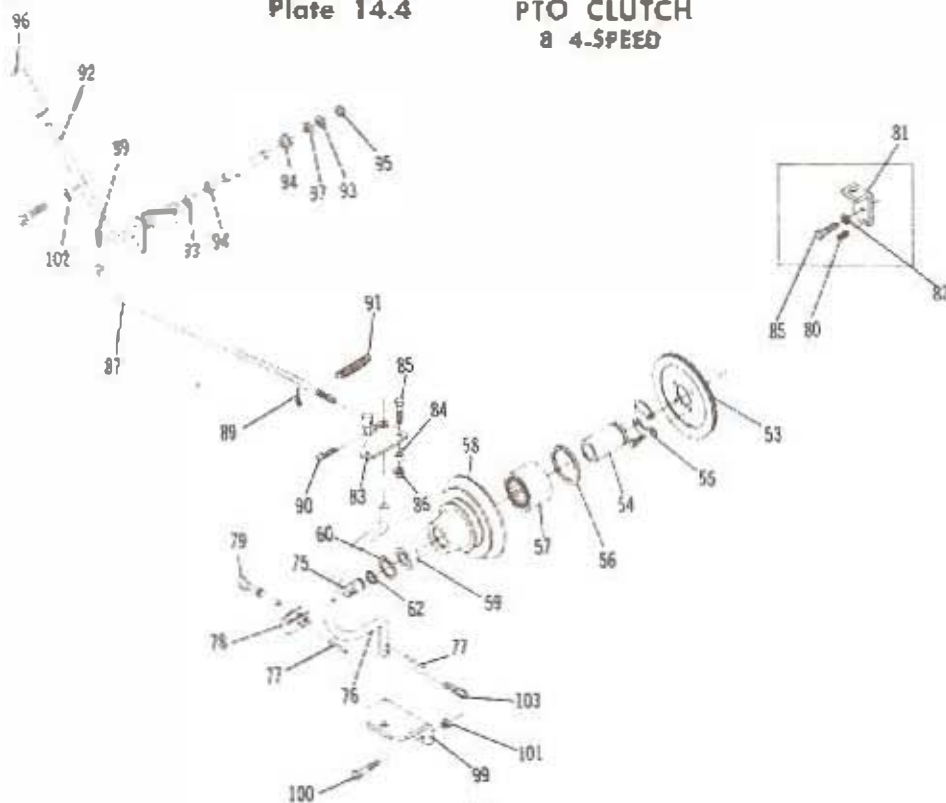


Plate 7.2

LIFT LINKAGE

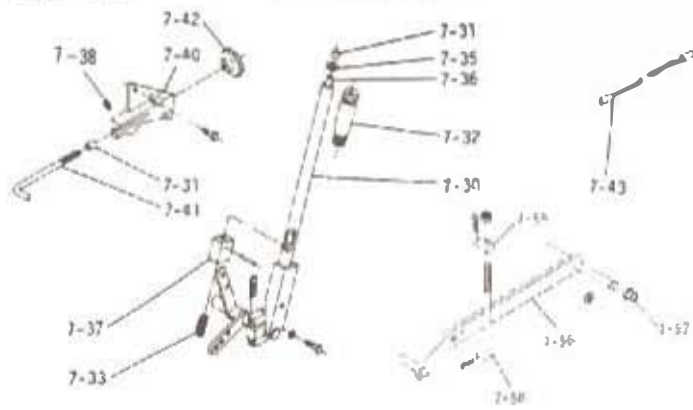


Plate 9.1

ENGINE

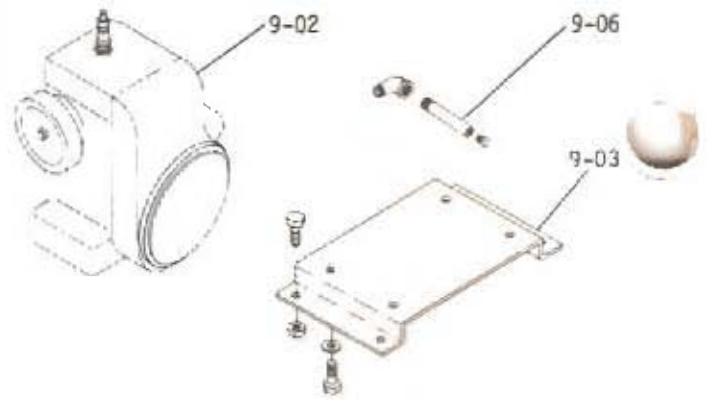


Plate 10.1

FUEL AND EXHAUST SYSTEMS

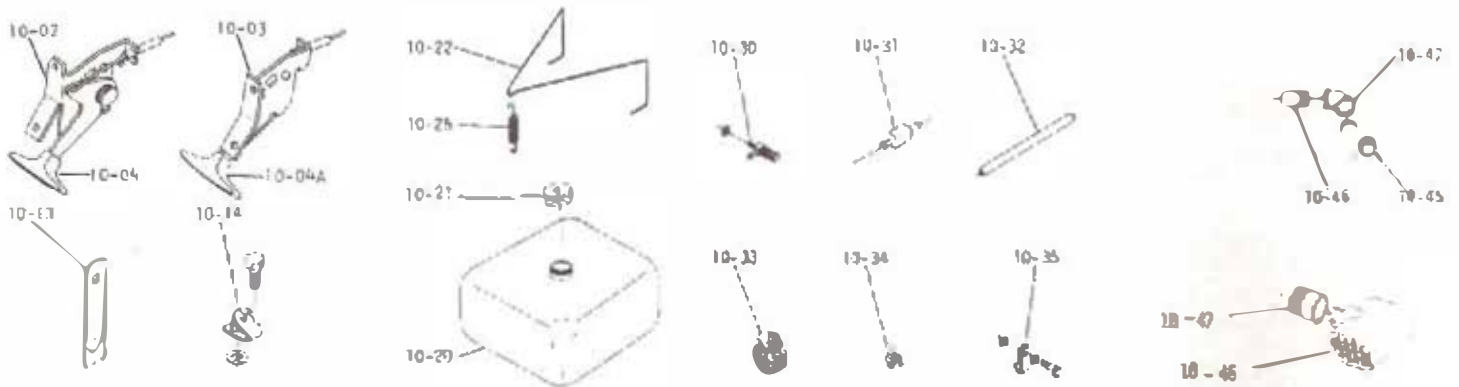
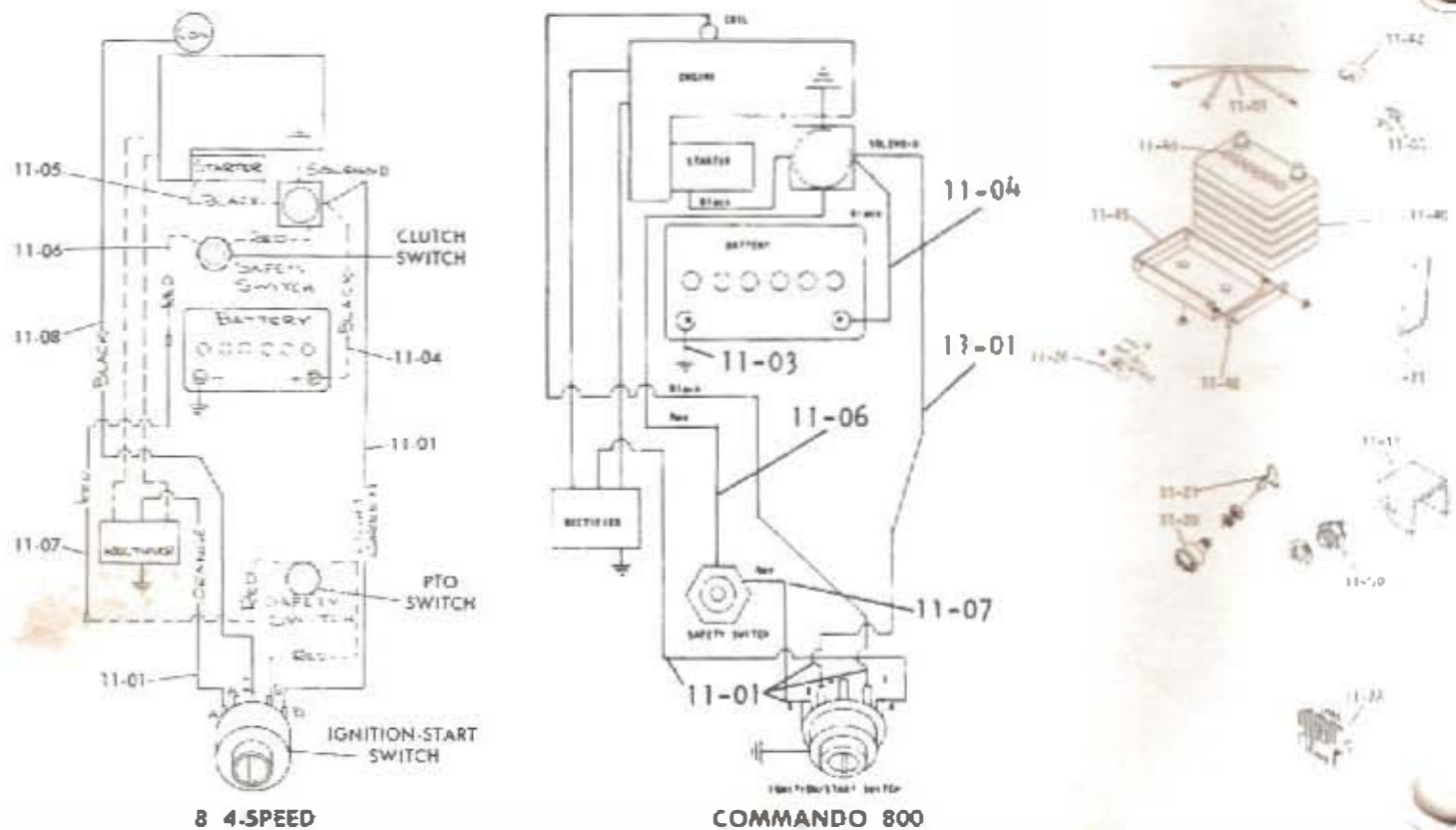


Plate 11.1

ELECTRICAL SYSTEM



8 4-SPEED

COMMANDO 800

Plate 14.1 DRIVE BELTS, PULLEYS

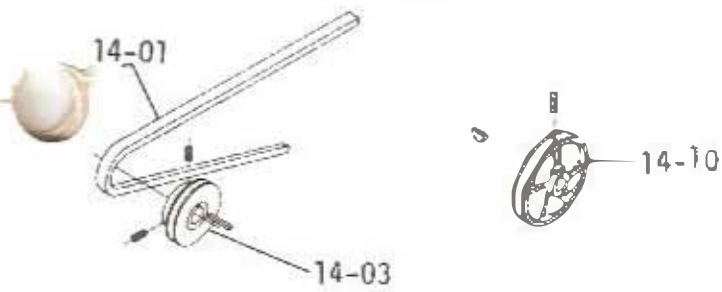


Plate 14.3 P. T. O. CLUTCH
COMMANDO 800

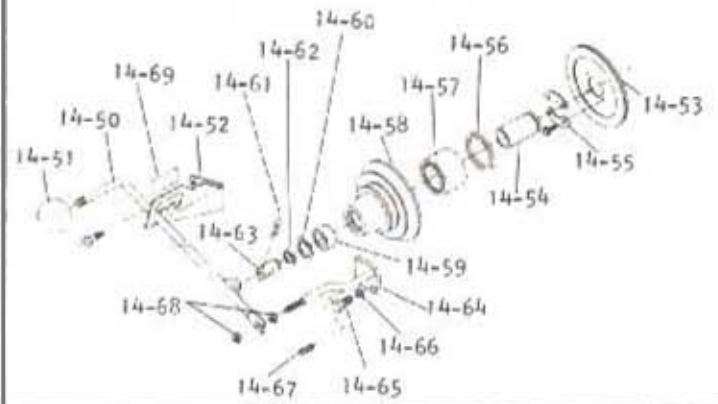


Plate 15.1 SEATS, DECALS, MISC. TRIM

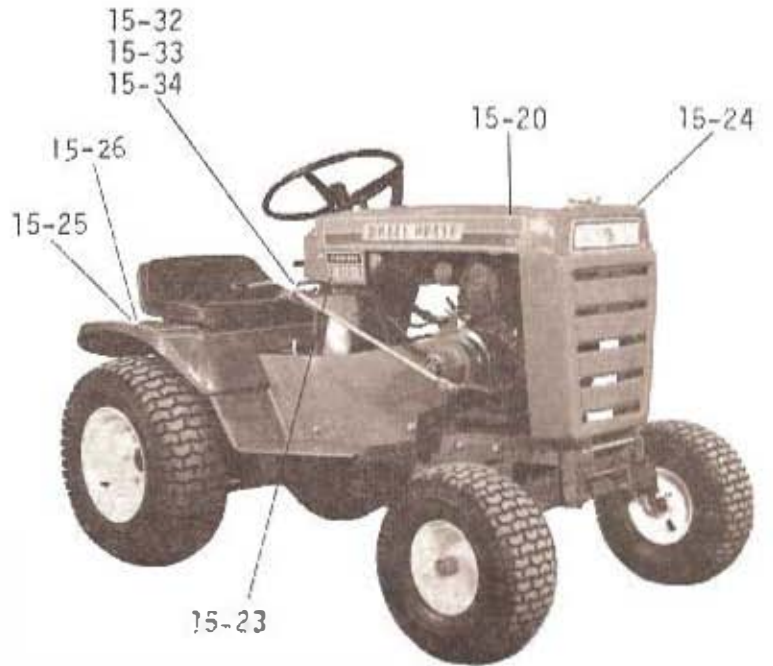
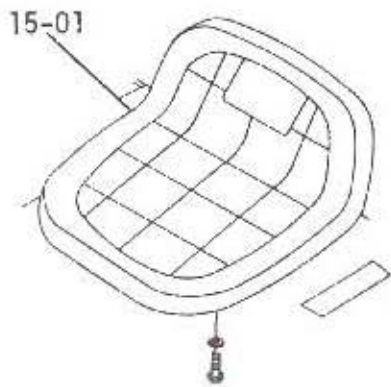
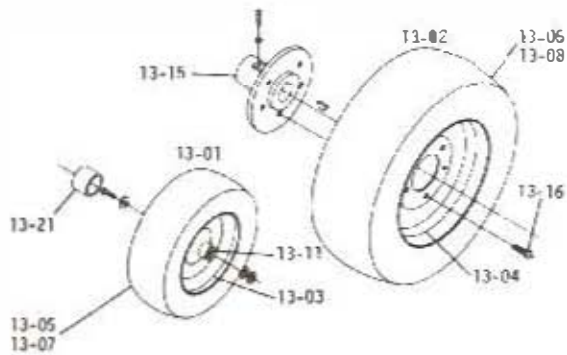


Plate 13.1 WHEELS AND TIRES





WHEEL-HORSE PRODUCTS, INC.

South Bend, Indiana 46614