



Wheel Horse®

Tractors & Riding Mowers

1956-1999 Lubrication Recommendations Drive Belt & Mower Blade Usage Charts

CONTENTS

Mower Spindle Cup Identification	Page 1
Lubrication Recommendations	Pages 2-34
Tractor Drive Belt Chart	Pages 35-42
Mower Blade Kit Chart.....	Pages 43-56
Mower Spindle & Drive Belt Chart.....	Pages 57-69
Drive Belt Chart by P/N Section-Length.....	Pages 70-72
Drive Belt Chart by Section-Length-P/N.....	Pages 73-75
Drive Belt Chart by Type-Section-Dimension	Page 76

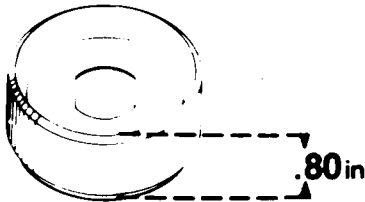
NOTES

1. Charts contained in this booklet are also on Microfiche, Orange Section.
2. Listings and charts are updated every two years.

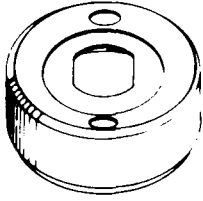
Mower Spindle Cup Identification Chart

1

TOP VIEW



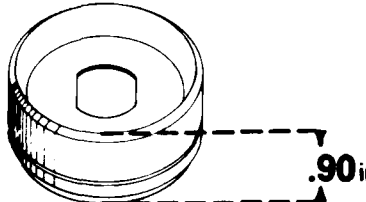
BOTTOM VIEW



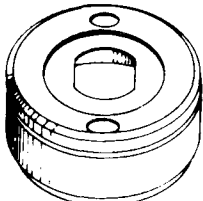
102784

- Used on 1973 and later 42" and 48" Rotary Mowers.
- Completely interchangeable with #104374.

TOP VIEW



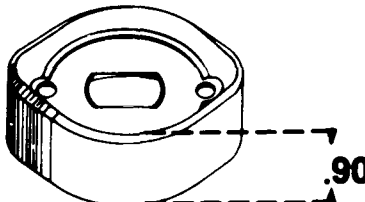
BOTTOM VIEW



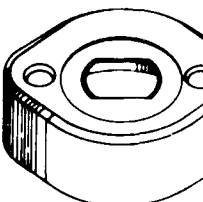
102780 N.L.A.

- Used on 1973 and later 36" mowers.
- Replaced by #104373.

TOP VIEW



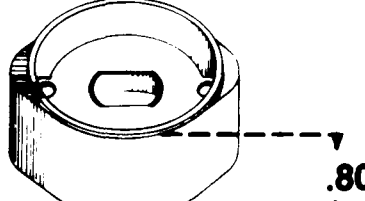
BOTTOM VIEW



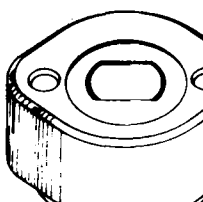
104374 N.L.A.

- Used on 1973 and later 42" and 48" Mowers.
- Replaced by #102784.

TOP VIEW



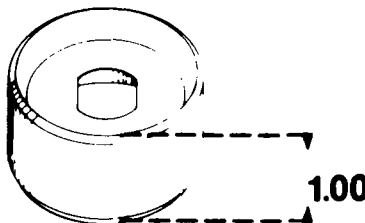
BOTTOM VIEW



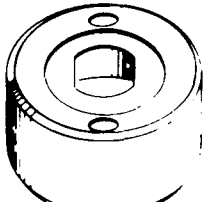
104373

- Used on 1973 and later 36" mowers.
- Completely interchangeable with #102780.

TOP VIEW



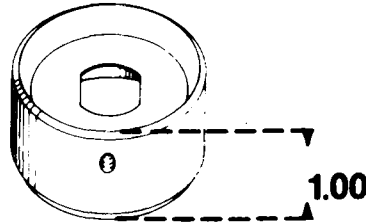
BOTTOM VIEW



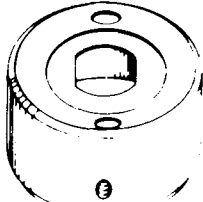
8200

- Used on 1972 and prior 42" and 48" mowers.
- Also used on 1972 and prior 36" 3 bladed mowers.
- Replaced by #3716.

TOP VIEW



BOTTOM VIEW



3716

- Used on "Cross-Shaft" twin blade 36" and 32" mowers.
- Also used on early 42" and 48" mowers.
- Not interchangeable with any other spindle cup.

LUBRICATION RECOMMENDATION CHART

NOTE: Some lubricant recommendations have been up-dated and will not agree with owner's manual.

1960-65 MODEL YEAR									1966 MODEL YEAR			1967 MODEL YEAR				
VEHICLE IDENTIFICATION NUMBER:	32E 32R 502 550 653 654 855 953	33E 33R 551 552 655 701 1045 1054	34E 34R 603 604 702 704 1054A 1055 875	400 401 605 633 753 854 L105 L155 1075						L-106,156; 876	606 656 1076	856 1056 1276	L107,157; 607 657 867 877	857 1057 1067 1077	1257 1267 1277	
MODEL:*	Same As Above 3-Speed				Same As Above Auto.				Same As Above 3-Speed		Same As Above Auto.		Same As Above 3-Speed		Same As Above 6-Speed Auto.	
LUBRICATION CODE:**	C-1,E-1,H-1,T-3				C-1,E-1 T-4B				C-1,E-1 T-3		C-1,E-1 T-4B		C-1,E-1 T-3		C-1,E-1 T-4B	

CAPACITIES WHEN DRY

* Model	Engine	Transmission
32E, 32R 3-Speed.....	3/4 qt.	1 1/2 qts.
33E, 33R 3-Speed.....	3/4 qt.	1 1/2 qts.
34E, 34R 3-Speed.....	3/4 qt.	1 1/2 qts.
400, 401, 502 3-Speed.	3/4 qt.	1 1/2 qts.
550, 551, 552 3-Speed.	3/4 qt.	1 1/2 qts.
603, 604, 605 3-Speed.	3/4 qt.	1 1/2 qts.
606, 607, 633 3-Speed.	3/4 qt.	1 1/2 qts.
653, 654, 655 3-Speed.	3/4 qt.	1 1/2 qts.
656, 657 3-Speed.....	3/4 qt.	1 1/2 qts.
701, 702, 704 3-Speed.	1 1/4 qts.	1 1/2 qts.
753, 854, 855 3-Speed.	1 1/4 qts.	1 1/2 qts.
856, 857 3-Speed.....	1 1/4 qts.	1 1/2 qts.
867 6-Speed.....	1 1/4 qts.	2 qts.
875, 876, 877 Auto....	1 1/4 qts.	4 qts.
953 3-Speed..	1 1/4 qts.	1 1/2 qts.
1045 3-Speed.	1 1/2 qts.	1 1/2 qts.
1054, 1054A 3-Speed..	2 1/2 qts.	1 1/2 qts.
1055 3-Speed.....	1 1/2 qts.	1 1/2 qts.
1056, 1057 3-Speed...	2 1/2 qts.	1 1/2 qts.
1067 6-Speed.....	2 1/2 qts.	2 qts.
1075 Auto.	1 1/2 qts.	4 qts.
1076, 1077 Auto. ...	2 1/2 qts.	4 qts.
1257 3-Speed.....	2 1/2 qts.	1 1/2 qts.
1267 6-Speed.....	2 1/2 qts.	2 qts.
1276, 1277 Auto.. ...	2 1/2 qts.	4 qts.
L105, 106, 107 3-Speed	3/4 qt.	1 1/2 qts.
L155, 156, 157 3-Speed	3/4 qt.	1 1/2 qts.

ENGINE OIL VISCOSITY

Use lowest anticipated temperature before next oil change.

ENGINE TEMPERATURE-VISCOSITY CHART

Air Temperature	Oil Viscosity
Briggs & Stratton	
Above 40°F	SAE 30
0° to 100° F	SAE 10W-30, 10W-40
Below 20°F	SAE 5W-20, 5W-30
Kohler, Onan & Tecumseh	
Above 32°F	SAE 30, 10W-30
Below 32°F	SAE 5W-30
Renault	
Above 85°F	SAE 20W-40
10°F to 85°F	SAE 10W-30
Below 10°F	SAE 5W-20

LUBRICATION RECOMMENDATIONS

- ** CODE
- All Grease Fittings
 - C-1 #2 Multi-Purpose Lithium Base Grease (Service Interval 25 Hrs.)
 - Engine Crankcase
 - E-1 API Service SC, SD, SE, SF Oil (Service Interval 25 Hrs.)
 - Hydraulic System
 - H-1 3 pts. Type "A" Auto. Trans. Oil (Service Interval 500 Hrs.)
 - Current equivalent oil-Dexron II or III Automatic Transmission/Transaxle
 - T-3 SAE 90-140 A.P.I. Service GL-5 Gear Lubricant (No Service Interval)
 - T-4A&B CAUTION: DO NOT MIX TYPES OF OILS. System could have been flushed & converted during overhaul. DETERMINE TYPE OF OIL USED WHEN DRAINED AND REFILL WITH SAME.
 - T-4A SAE 10W-30 or 10W-40 Engine Oil
 - T-4B Dexron II or III Trans. Oil
 - Oil & Filter: Service Interval 100 Hrs. or 1yr.



LUBRICATION RECOMMENDATION CHART

NOTE: Some lubricant recommendations have been up-dated and will not agree with owner's manual.

1960-65 MODEL YEAR										1966 MODEL YEAR			1967 MODEL YEAR																	
VEHICLE IDENTIFICATION NUMBER:	32E	32R	502	550	653	654	855	953			L-106,156;	876	606	656	1076	856	1056	1276	L107,157;	607	657	867	877	857	1057	1067	1077	1257	1267	1277
MODEL:*	Same As Above 3-Speed									Same As Above Auto.			Same As Above 3-Speed			Same As Above 6-Speed			Same As Above Auto.											
LUBRICATION CODE:**	C-1,E-1,H-1,T-3									C-1,E-1 T-4B			C-1,E-1 T-3			C-1,E-1 T-4B			C-1,E-1 T-3			C-1,E-1 T-4B								

CAPACITIES WHEN DRY

* Model	Engine	Transmission
32E,32R 3-Speed.....	3/4 qt.	1 1/2 qts.
33E,33R 3-Speed.....	3/4 qt.	1 1/2 qts.
34E,34R 3-Speed.....	3/4 qt.	1 1/2 qts.
400,401,502 3-Speed.	3/4 qt.	1 1/2 qts.
550,551,552 3-Speed.	3/4 qt.	1 1/2 qts.
603,604,605 3-Speed.	3/4 qt.	1 1/2 qts.
606,607,633 3-Speed.	3/4 qt.	1 1/2 qts.
653,654,655 3-Speed.	3/4 qt.	1 1/2 qts.
656,657 3-Speed.....	3/4 qt.	1 1/2 qts.
701,702,704 3-Speed.	1 1/4 qts.	1 1/2 qts.
753,854,855 3-Speed.	1 1/4 qts.	1 1/2 qts.
856,857 3-Speed.....	1 1/4 qts.	1 1/2 qts.
867 6-Speed.....	1 1/4 qts.	2 qts.
875,876,877 Auto....	1 1/4 qts.	4 qts.
953 3-Speed.....	1 1/4 qts.	1 1/2 qts.
1045 3-Speed.....	1 1/2 qts.	1 1/2 qts.
1054,1054A 3-Speed..	2 1/2 qts.	1 1/2 qts.
1055 3-Speed.....	1 1/2 qts.	1 1/2 qts.
1056,1057 3-Speed...	2 1/2 qts.	1 1/2 qts.
1067 6-Speed.....	2 1/2 qts.	2 qts.
1075 Auto.	1 1/2 qts.	4 qts.
1076,1077 Auto.	2 1/2 qts.	4 qts.
1257 3-Speed.....	2 1/2 qts.	1 1/2 qts.
1267 6-Speed.....	2 1/2 qts.	2 qts.
1276,1277 Auto.	2 1/2 qts.	4 qts.
L105,106,107 3-Speed	3/4 qt.	1 1/2 qts.
L155,156,157 3-Speed	3/4 qt.	1 1/2 qts.

ENGINE OIL VISCOSITY

Use lowest anticipated temperature before next oil change.

ENGINE TEMPERATURE-VISCOSITY CHART

Air Temperature	Oil Viscosity
Briggs & Stratton	
Above 40°F	SAE 30
0° to 100° F	SAE 10W-30,10W-40
Below 20°F	SAE 5W-20,5W-30
Kohler, Onan & Tecumseh	
Above 32°F	SAE 30,10W-30
Below 32°F	SAE 5W-30
Renault	
Above 85°F	SAE 20W-40
10°F to 85°F	SAE 10W-30
Below 10°F	SAE 5W-20

LUBRICATION RECOMMENDATIONS

** CODE	RECOMMENDATION
C-1	All Grease Fittings #2 Multi-Purpose Lithium Base Grease(Service Interval 25 Hrs.)
E-1	Engine Crankcase API Service SC,SD,SE,SF Oil (Service Interval 25 Hrs.)
H-1	Hydraulic System 3 pts. Type "A" Auto. Trans. Oil(Service Interval 500 Hrs.) Current equivalent oil-Dexron II or III Automatic Transmission/Transaxle
T-3	SAE 90-140 A.P.I. Service GL-5 Gear Lubricant (No Service Interval)
T-4A&B	CAUTION: DO NOT MIX TYPES OF OILS. System could have been flushed & converted during overhaul. DETERMINE TYPE OF OIL USED WHEN DRAINED AND REFILL WITH SAME.
T-4A	SAE 10W-30 or 10W-40 Engine Oil
T-4B	Dexron II or III Trans. Oil
	Oil & Filter: Service Interval 100 Hrs. or 1yr.

1968 MODEL YEAR

VEHICLE IDENTIFICATION NUMBER:	1-1631 1-2631 1-3631	1-4631 1-6231 1-4831	1-7231 1-7235 1-7931,32
MODEL:*	Lawn Ranger 500 Special Commando 8 3-Speed	Raider 9,12 Commando 6 6-Speed	Charger 9,12, Electro 12 Auto
LUBRICATION CODES:**	C-1,E-1,T-3	C-1,E-1,T-3	C-1,E-1,T-4B

1969 MODEL YEAR

VEHICLE IDENTIFICATION NUMBER:	1-4741 1-4841 1-8741	1-3741 1-3745 1-8745	1-6041 1-6241	1-7741 1-7841	1-7041 1-7241 1-7245	1-7441	2-1641 2-2641
MODEL:*	Lawn Ranger Commando V7,V8 3-Speed	Workhorse 700 3-Speed	Raider 10,12 6-Speed	Charger V7,V8 Auto.	Charger 10,12, Electro 12 GT-14 Auto.	R-26 Rider	
LUBRICATION CODES:**	C-1,E-1,T-2	C-1,E-1, T-3	C-1,E-1 T-3	C-1,E-1 T-6	C-1,E-1 T-4B	C-1,E-1 T-1	

1970 MODEL YEAR

VEHICLE IDENTIFICATION NUMBER:	1-4751,52 1-4851,52 1-8751,52 1-8755,56	1-6051 1-6251, 52,53	1-7751 1-7851	1-7251,52 53,55 1-7451,52, 53	2-1651 2-2651
MODEL:*	Lawn Ranger Commando V7, V8 3-Speed	Raider 10,12 6-Speed	Charger V7,V8 Auto.	Charger 12 Electro 12 GT-14 Auto.	R-26 Rider
LUBRICATION CODES:**	C-1,E-1,T-2	C-1,E-1 T-3	C-1,E-1 T-6	C-1,E-1, T-4B	C-1,E-1 T-1

1971 MODEL YEAR

VEHICLE IDENTIFICATION NUMBER:	1-0100 1-0150 2-0200 2-0210	1-0200 1-0270 1-0275	1-0300 1-0310	1-0400 1-0420,21 1-0450	1-0500,01	2-0101 2-0111
MODEL:*	Lawn Ranger 800 Special 3-Speed	CG 7,7R,8; Workhorse 800 3-Spd.	Raider 10,12 6-Speed	800 Auto. GT-14 Auto.	Charger 12 Bronco 14 GT-14 Auto.	R-26 Rider
LUBRICATION CODES:**	C-1,E-1,T-2	C-1,E-1, T-3	C-1,E-1 T-3	C-1,E-1 T-6	C-1,E-1, T-4B	C-1,E-1 T-1

1972 MODEL YEAR

VEHICLE IDENTIFICATION NUMBER:	1-0110 1-0201 1-0270,75 2-0211	1-0330 1-0301 1-0311 1-0320	1-0401,02,10 1-0422,23 1-0200 1-0451	1-0502,03 1-7452,53	2-0100 2-0101 2-0110 2-0111	
MODEL:*	Ranger- 800 3-Speed	CG 7,7R,8; Commando- 800 3-Spd.	Raider 8,10,12, 14 6-Spd.	800 CG 8 Auto.	Charger 10,12; Bronco 14 GT-14 Auto.	R-26 Rider
LUBRICATION CODES:**	C-1,E-1, T-2	C-1,E-1, T-3	C-1,E-1, T-3	C-1,E-1 T-6	C-1,E-1,T-4B T-1	

1973 MODEL YEAR

VEHICLE IDENTIFICATION NUMBER:	1-0340, 50,55, 60,65, 70	1-0430,35,40, 60,65,70,75; 1-0502;1-0600, 01,10,20;1-7452	2-0220 2-0230	2-0102 2-0112	
MODEL:*	8 4-Speed	8,10, 12,14 8-Speed	10,12,14,16,18; GT-14 Auto.	Ranger 700,800 4-Speed	R-26 Rider
LUBRICATION CODES:**	C-1,E-1 T-3	C-1,E-1 T-3	C-1,E-1,T-4A, T-4B	C-1,E-1 T-2	C-1,E-1 T-1

CAPACITIES WHEN DRY

* Model	Engine	Transmission
8 4-Speed (Vertical Shaft Engine).....	1 qt.	2 qts.
8 4-Speed (Horizontal Shaft Engine).....	1 1/2 qts.	1 1/2 qts.
8,10,12,14 8-Speed..	2 qts.	2 qts.
10,12,14,16 Auto. ..	2 qts.	5 qts.
18 Auto.	3 qts.	6 qts.
500 Special 3-Speed.	3/4 qt.	1 1/2 qts.
800 Special 3-Speed.	1 1/4 qts.	1 qt.
800 Auto	1 1/4 qts.	Hydro-1 1/3 qts. Gearcase - 1 qt.
CG-8 Auto.....	1 1/2 qts.	
CG-7,7R 3-Speed.....	1 qt.	2 qts.
CG-8 3-Speed.....	1 1/2 qts.	2 qts.
Bronco 14 Auto.	2 qts.	5 qts.
Charger 9 Auto.	1 1/4 qts.	4 qts.
Charger 10,12 Auto (1-0400,01,02, 10;1-7251,52).....	2 qts.	5 qts.
Charger 10,12 Auto. (1-7041;1-7235).....	1 1/4 qts.	4 qts.
Charger 12 Auto. (1-7231,41,45,53)...	2 1/2 qts.	4 qts.
Charger V7 Auto. ...	3/4 qts.	Hydro-1 1/3 qts. Gearcase - 1 qt.
Charger V8 Auto. ...	1 1/4 qts.	
Commando 6 6-Speed..	2 1/2 qts.	2 qts.
Commando 8 3-Speed..	1 1/4 qts.	2 qts.
Commando V-7 3-Speed	3/4 qts.	2 qts.
Commando V-8 3-Speed	1 1/2 qts.	2 qts.
Commando 800 3-Speed	1 1/2 qts.	1 1/2 qts.
Electro12,GT-14 Auto	2 1/2 qts.	5 qts.
Lawn Ranger 3-Speed.	3/4 qt.	1 1/2 qts.
R-26 Rider.....	3/4 qt.	30 oz.
Raider 8,9 6-Speed..	1 1/4 qts.	2 qts.
Raider 10,12 6-Speed (1-0300,01, 10,11;1-6251,52)....	2 qts.	2 qts.
Raider 10 6-Speed (1-6041).....	1 1/4 qts.	2 qts.
Raider 12 6-Speed (1-6051; 1-6231,41,53).....	2 1/2 qts.	2 qts.
Raider 14 6-Speed...	2 qts.	2 qts.
Ranger 700.....	3/4 qt.	1 qt.
Ranger 800.....	1 qt.	1 qt.
Workhorse 700.....	3/4 qt.	1 1/2 qts.
Workhorse 800.....	1 1/2 qts.	2 qts.

ENGINE OIL VISCOSITY

Use lowest anticipated temperature before next oil change.

ENGINE TEMPERATURE-VISCOSITY CHART

Air Temperature	Oil Viscosity
Briggs & Stratton	
Above 40°F	SAE 30
0° to 100°	SAE 10W-30,10W-40
Below 20°F	SAE 5W-20,5W-30
Kohler, Onan & Tecumseh	
Above 32°F	SAE 30,10W-30
Below 32°F	SAE 5W-30
Renault	
Above 85°F	SAE 20W-40
10°F to 85°F	SAE 10W-30
Below 10°F	SAE 5W-20

LUBRICATION RECOMMENDATIONS

- ** CODE
- All Grease Fittings
- C-1..#2 Multi-Purpose Lithium Base Grease(Service Interval 25 Hrs.)
- Peerless Differential
- D-1..1 oz. SAE 90 EP Lithium Grease (No Service Interval)
- Drive Chain
- D-2..Light Machine Oil (Service Interval 25 Hrs.)
- Engine Crankcase
- E-1..API Service SC,SD,SE,SF Oil (Service Interval 25 Hrs.)
- E-2..API Service SE,SF Oil (Service Interval 25 Hrs.);Filter-Service Interval 50 Hrs.
- Engine Governor
- E-3.. 1.7 oz. SAE 10 API Service SC,SD,SE,SF Oil (No Service Interval)

LUBRICATION RECOMMENDATIONS (Con't)

- ** CODE
- Hydraulic System
- H-1..3 qts. HD SAE 10 Oil (Service Interval 500 Hrs.)
- Transmission/Transaxle
- T-1.. Bentonite Grease (Peerless #788067B). Use EP lithium grease for needle bearings. (No service interval.)
- T-2..SAE 90 EP Gear Lubricant (No Service Interval)
- T-3..SAE 90-140 A.P.I. Service GL-5 Gear Lubricant (No Service Interval)
- T-4A&B CAUTION: DO NOT MIX TYPES OF OILS. System could have been flushed & converted during overhaul. DETERMINE TYPE OF OIL USED WHEN DRAINED AND REFILL WITH SAME.
- T-4A SAE 10W-30 or 10W-40 Engine Oil
- T-4B Dexron II or III Trans. Oil Oil & Filter: Service Interval 100 Hrs. or 1yr.
- T-5..EP Lithium Grease; Use N3 UNIREX Special Grease Between Brgs. On Input Shaft, Output Shaft & Cavity Created by Casting & Counter Shaft (No Service Interval)
- T-6..Hydrostatic - Type "F" Auto. Transmission Oil (No Service Interval); Gearcase - See CODE T-2

1974 MODEL YEAR

VEHICLE IDENTIFICATION NUMBER:		1-0280		1-0140		1-0353 1-0380		1-0611
	3-0113	1-0285	2-4300	1-0145	1-0510	1-0354 1-0385	1-0480 1-0490	1-0630
						1-0356 1-0390	1-0485 1-0495	1-0650
MODEL:*	R-26 Rider	A-800 Ranger	A-90 Special	B-80 4-Speed	B-100 Auto.	C-100,120,160 8-Speed	C-120,160 Auto.	D-160,180,200 Auto.
LUBRICATION CODES:**	C-1 E-1, T-1	C-1,E-1, T-2	C-1,E-1, T-3	C-1,E-1, T-3	C-1,E-1, T-4	C-1,E-1,T-3	C-1,E-1,T-4	C-1,E-2,T-4

1975 MODEL YEAR

VEHICLE IDENTIFICATION NUMBER:		3-5001					1-0357 1-0391		1-0612	
	3-0114	3-6000	1-0281				1-0375 1-0395	1-0481	1-0631	
		13-5000	1-0286	1-0141	1-0511	1-0720	1-0381 1-0396	1-0491	1-0651	
MODEL:*	A-50 Rider	A-60,65 ElecTrak	A-80R,80E 4-Speed	B-80 4-Speed	B-100 Auto.	B-145 ElecTrak	C-100,120,160 8-Speed	C-120,160 Auto.	C-185 ElecTrak	D-160,180,200 Auto.
LUBRICATION CODES:**	C-1,E-1, T-1	C-1,D-1, D-2,T-1	C-1,E-1, T-2	C-1,E-1, T-3	C-1,E-1, T-4	C-1,T-3	C-1,E-1,T-3	C-1,E-1, T-4	C-1,T-3	C-1,E-2,T-4

1976 MODEL YEAR

VEHICLE IDENTIFICATION NUMBER:					61-07K801		61-12K801,	61-12KS01,	61-160S01	
		3-5002		62-08BP01	04;61-10K801,02,	1-0700	02,03,04	02,03,04	61-160S02	
	63-05BF01	3-6000	63-08BP01	62-10BP01	03,04	1-0720	61-16K801,	61-16KS01,	61-20KS01	
							02,03,04	02,03,04	61-20KS02	
MODEL:*	A-60 Rider	A-60,65 ElecTrak	A-70 Rider	A-90,100 4-Speed	B-60,80,100 8-Speed	B-145,C-185 ElecTrak	C-120,160 8-Speed	C-120,160 Auto.	D-160,200 Auto.	D-250 10-Speed
LUBRICATION CODES:**	C-1,D-1, D-2,E-1, T-1	C-1,D-1, D-2,T-1	C-1,D-1, D-2,E-1, T-1	C-1,E-1, T-2	C-1,E-1,T-3	C-1,T-3	C-1,E-1, T-3	C-1,E-1, T-4	C-1,E-2, T-4	C-1,E-1, E-3,H-1, T-8

1977 MODEL YEAR

VEHICLE IDENTIFICATION NUMBER:				71-07K801		71-12K801	71-12KS01,02			
		3-5002	72-08BP01	71-08K801		71-16K801	71-16KS01		71-160S01	
	73-05BF01	3-6000	72-10BP01	71-10K801	1-0720	71-16K802	71-16KS02	1-0700	71-20KS01	
									61-20RGO1	
MODEL:*	A-60 Rider	A-60,65 ElecTrak	A-90,100 4-Speed	B-60,80, 100 8-Spd	B-145 ElecTrak	C-120,160 8-Speed	C-120,160 Auto.	C-185 ElecTrak	D-160,200 Auto.	D-250 10-Speed
LUBRICATION CODES:**	C-1,D-1, D-2,E-1, T-1	C-1,D-1, D-2,T-1	C-1,E-1, T-2	C-1,E-1, T-3	C-1,T-3	C-1,E-1, T-3	C-1,E-1, T-4	C-1,T-3	C-1,E-2, T-4	C-1,E-1, E-3,H-1, T-8

CAPACITIES WHEN DRY

* Model	Engine	Transmission
A-50,A-70 Rider.....	3/4 qts.	12 oz.
A-60 Rider.....	3/4 qts.	12 oz.
A-60 Electric Horse.	N/A	12 oz.
A-65 Elec-Trak.....	N/A	12 oz.
A-80E,A-80R,A-800..	1 qt.	1 qt.
A-90,A-100 - 4-Speed	1 1/2 qts.	1 qt.
A-90 Special 3-Speed	1 1/4 qts.	1 qt.
B-80 - 4-Speed.....	1 1/8 qts.	2 qt.
B-100 - Automatic...	2 qts.	6 qts.
B-145 Elec-Trak.....	N/A	1 1/2 qts.
B-60,B-80,B-100,		
C-100 - 8-Speed.....	2 qts.	2 qts.
C-120 - Automatic...	2 qts.	6 qts.
C-120 - 8-Speed.....	2 qts.	2 qts.
C-160 - Automatic...	2 qts.	6 qts.
C-160 - 8-Speed.....	2 qts.	2 qts.
C-185 Elec-Trak.....	N/A	2 qts.
D-160 - Automatic...	2 qts.	6 qts.
D-180 - Automatic...	3 qts.	6 qts.
D-200 - Automatic...	3 qts.***	6 qts.
D-250 - 10-Speed....	2.6 qts.	5.5 qts.
R-26 Rider.....	3/4 qts.	30 oz.

***3 1/2 qts. With Filter Change

ENGINE OIL VISCOSITY

Use lowest anticipated temperature before next oil change.

ENGINE TEMPERATURE-VISCOSITY CHART

Air Temperature	Oil Viscosity
Briggs & Stratton	
Above 40°F	SAE 30
0° to 100°F	SAE 10W-30,10W-40
Below 20°F	SAE 5W-20,5W-30
Kohler, Onan & Tecumseh	
Above 32°F	SAE 30,10W-30
Below 32°F	SAE 5W-30
Renault	
Above 85°F	SAE 20W-40
10°F to 85°F	SAE 10W-30
Below 10°F	SAE 5W-20

LUBRICATION RECOMMENDATIONS

** CODE

All Grease Fittings
C-1..#2 Multi-Purpose Lithium Base Grease(Service Interval 25 Hrs.)

Peerless Differential
D-1..1 oz. SAE 90 EP Lithium Grease (No Service Interval)

Drive Chain
D-2..Light Machine Oil (Service Interval 25 Hrs.)

Engine Crankcase
E-1..API Service SC,SD,SE,SF Oil (Service Interval 25 Hrs.)
E-2..API Service SE,SF Oil (Service Interval 25 Hrs.);Filter-Service Interval 50 Hrs.

Engine Governor
E-3.. 1.7 oz. SAE 10 API Service SC,SD,SE,SF Oil (No Service Interval)

LUBRICATION RECOMMENDATIONS (Con't)

** CODE

Hydraulic System

H-1..3 qts. HD SAE 10 Oil (Service Interval 500 Hrs.)

Transmission/Transaxle

T-1.. Bentonite Grease (Peerless #788067B). Use EP lithium grease for needle bearings. (No service interval.)

T-2..SAE 90 EP Gear Lubricant (No Service Interval)

T-3..SAE 90-140 A.P.I. Service GL-5 Gear Lubricant (No Service Interval)

T-4..SAE 10W-30 or 10W-40 Engine Oil Oil & Filter: Service Interval 100 Hrs. or 1yr.

T-5..EP Lithium Grease; Use N3 UNIREX Special Grease Between Brgs. On Input Shaft, Output Shaft & Cavity Created by Casting & Counter Shaft (No Service Interval)

T-6..Hydrostatic - Type "F" Auto. Transmission Oil (No Service Interval); Gearcase - See CODE T-2

T-7..Hydrostatic - SAE 30 A.P.I. Service SC,SD,SE,SF Oil (No Service Interval); Gearcase - See CODE T-2

Transmission & Steering Gear

T-8..SAE 90/Hypoid Gear Lubricant (Service Interval 200 Hrs. or 1yr. For Transmission Only)

1978 MODEL YEAR

VEHICLE IDENTIFICATION NUMBER:	82-08BPO1 82-11BPO1	81-08K801 81-10K801	81-12K801 81-14K801	81-16K801 81-16B801	81-12KS01 81-14KS01	81-16KS01 81-16BS01	81-16OS01 81-20KS01	81-20RGO1
MODEL:*	B-81,111 4-Spd.		C-81,101,121,141,161, 8-Spd.		C-121,141,161 Auto.		D-160,200 Auto.	D-250 10-Speed
LUBRICATION CODES:**	C-1,E-1,T-2	C-1,E-1,T-3	C-1,E-1,T-4		C-1,E-2,T-4	C-1,E-1,E-3,H-1,T-8		

1979 MODEL YEAR

VEHICLE IDENTIFICATION NUMBER:	93-05BPO1,02 93-08BPO1,02 93-08XPO2 93-11BPO1			91-08K801,02 91-10K801,02 91-11B801 91-12K801,02	91-14K801,02 91-16K801 91-16B801,02	91-12KS01 91-14KS01 91-16KS01	91-16BS01 91-16BS02	91-16OS01 91-20KS01 91-20KS02	91-20RGO1
MODEL:*	A-51R,81R, 81E,111 5-Spd.	B-111 4-Speed	B-81,111 6-Speed	C-81,101,111,121,141,161, 161 TWIN 8-Speed	C-121,141,161, 161 TWIN Auto.	D-160,200 Auto.	D-250 10-Speed		
LUBRICATION CODES:**	C-1,D-1,D-2, E-1,T-1	C-1,E-1, T-2	C-1,E-1, T-5	C-1,E-1,T-3	C-1,E-1,T-4	C-1,E-2, T-4	C-1,E-1,E-3, H-1,T-8		

1980 MODEL YEAR

VEHICLE IDENTIFICATION NUMBER:	03-05BPO1 03-08BPO1 03-08XPO1 03-11BPO1	03-08EPO1	02-08BPO1 02-11BX01	02-11BPO2 02-16BPO1	01-11B803	01-08K801 01-08K802 01-10K801 01-12K801	01-14K801 01-16K801 01-17K802 01-14E801	01-12KS01 01-12KE01 01-14KS01 01-14KE01	01-16KS01 01-16KE01 01-17KS02 01-17KE01	01-16OS01 01-20KS00	91-20RGO1
MODEL:*	A-51R,81R 81E,111 5-Speed	E-81 5-Speed	B-82,112 3-Speed	B-115, 165 TWIN 5-Speed	1100 Special 8-Speed	C-85,105,125,145, 165,175 TWIN; 8-Speed	E-141 175 TWIN Auto.	D-160,200 Auto.	D-250 10-Speed		
LUBRICATRION CODES:**	C-1,D-1&2 E-1,T-1	C-1,D-1, D-2,T-1	C-1,E-1, T-2	C-1,E-1, T-5	C-1,E-1, T-3	C-1,E-1,T-3	C-1,E-1,T-4	C-1, E-2, T-4	C-1,E-1&3, H-1,T-8		

1981 MODEL YEAR

VEHICLE IDENTIFICATION NUMBER:	03-05BPO2 03-08BPO2 03-08EPO1 03-11BPO2	02-08BPO2,03 02-11BX02,03	02-11BPO3,04 02-16BPO2,03	01-11B804	01-08K802 01-10K802 01-12K802 01-14E801	01-14K802 01-16K802 01-17K802	01-12KE02 01-14KE02	01-16KE02 01-17KE01	01-16OS01 01-20KS00	91-20RGO1
MODEL:*	A-51R,81E 111;E-81 5-Speed	B-82,112 3-Speed	B-115, 165 TWIN 5-Speed	GT-2500 8-Speed	C-85,105,125,145, 165,175 TWIN; 8-Speed	E-141 175 TWIN Auto.	D-160,200 Auto.	D-250 10-Speed		
LUBRICATION CODES:**	C-1,D-1&2 E-1,T-1	C-1,E-1,T-2	C-1,E-1,T-5	C-1,E-1, T-3	C-1,E-1,T-3	C-1,E-1,T-4	C-1,E-2, T-4	C-1,E-1&3, 1,T-8		

CAPACITIES WHEN DRY

* Model	Engine	Transmission
A-51R Rider.....	3/4 qt.	12 oz.
A-81E Rider.....	1 1/8 qts.	12 oz.
A-81R Rider.....	1 1/8 qts.	12 oz.
A-111 Rider.....	1 1/2 qts.	12 oz.
B-81 4-Speed.....	1 1/8 qts.	24 oz.
B-81 6-Speed.....	1 1/8 qts.	24 oz.
B-82 3-Speed.....	1 1/8 qts.	24 oz.
B-111 4-Speed.....	1 1/2 qts.	24 oz.
B-111 6-Speed.....	1 1/2 qts.	24 oz.
B-112 3-Speed.....	1 1/2 qts.	24 oz.
B-115 5-Speed.....	1 1/2 qts.	30 oz.
B-165(TWIN) 5-Speed.	1 3/4 qts.	30 oz.
C-81 8-Speed.....	1 1/4 qts.	2 qts.
C-85 8-Speed.....	1 1/4 qts.	2 qts.
C-101 8-Speed.....	1 1/2 qts.	2 qts.
C-105 8-Speed.....	1 1/2 qts.	2 qts.
C-121 8-Speed.....	1 1/2 qts.	2 qts.
C-121 Auto.	1 1/2 qts.	5.5 qts.
C-125 8-Speed.....	1 1/2 qts.	2 qts.
C-125 Auto.	1 1/2 qts.	5.5 qts.
C-141 8-Speed.....	1 1/2 qts.	2 qts.
C-141 Auto.	1 1/2 qts.	5.5 qts.
C-145 8-Speed.....	1 1/2 qts.	2 qts.
C-145 Auto.	1 1/2 qts.	5.5 qts.
C-161 8-Speed.....	1 1/2 qts.	2 qts.
C-161(TWIN) 8-Speed.	1 1/2 qts.	2 qts.
C-161 Auto.	1 1/2 qts.	5.5 qts.
C-161(TWIN) Auto. ..	1 1/2 qts.	5.5 qts.
C-165 8-Speed.....	1 1/2 qts.	2 qts.
C-165 Auto.	1 1/2 qts.	5.5 qts.
C-175(TWIN) 8-Speed.	1 3/4 qts.	2 qts.
C-175(TWIN) Auto. ..	1 3/4 qts.	5.5 qts.
D-160 Auto.	2 qts.***	6 qts.
D-200 Auto.	3 qts.****	6 qts.
D-250 10-Speed.....	2.6 qts.	5.5 qts.
E-81 Rider(Battery Powered).....	N/A	12 oz.
E-141 8-Spd.(Battery Powered).....	N/A	2 qts.
GT-2500 8-Speed.....	1 1/2 qts.	2 qts.
1100 Special.....	1 1/2 qts.	2 qts.

*** 2 1/4 qts. With Filter Change

**** 3 1/2 qts. With Filter Change

ENGINE OIL VISCOSITY

Use lowest anticipated temperature before next oil change.

ENGINE TEMPERATURE-VISCOSITY CHART

Air Temperature	Oil Viscosity
Briggs & Stratton	
Above 40°F	SAE 30
0°F to 100°F	SAE 10W-30, 10W-40
Below 20°F	SAE 5W-20, 5W-30
Kohler, Onan & Tecumseh	
Above 32°F	SAE 30, 10W-30
Below 32°F	SAE 5W-30
Renault	
Above 85°F	SAE 20W-40
10°F to 85°F	SAE 10W-30
Below 10°F	SAE 5W-20

LUBRICATION RECOMMENDATIONS

** CODE

All Grease Fittings

C-1..#2 Multi-Purpose Lithium Base Grease(Service Interval 25 Hrs.)

Differential

D-1..1 oz. SAE 90 EP Lithium Grease (No Service Interval)

Drive Chain

D-2..Light Machine Oil (Service Interval 25 Hrs.)

Engine Crankcase

E-1..API Service SC,SD,SE,SF Oil (Service Interval 25 Hrs.)

E-2..API Service SE,SF Oil (Service Interval 25 Hrs.);Filter-Service Interval 50 Hrs.

Engine Governor

E-3.. 1.7 oz. SAE 10 API Service SC,SD,SE,SF Oil (No Service Interval)

LUBRICATION RECOMMENDATIONS (Con't) ⁸

** CODE

Hydraulic System

H-1..3 qts. HD SAE 10 Oil (Service Interval 500 Hrs.)

Transmission/Transaxle

T-1.. Bentonite Grease (Peerless #788067B). Use EP lithium grease for needle bearings. (No service interval.)

T-2..SAE 90 EP Gear Lubricant (No Service Interval)

T-3..SAE 90-140 A.P.I. Service GL-5 Gear Lubricant (No Service Interval)

T-4..SAE 10W-30 or 10W-40 Engine Oil Oil & Filter: Service Interval 100 Hrs. or 1yr.

T-5..EP Lithium Grease; Use N3 UNIREX Special Grease Between Brgs. On Input Shaft, Output Shaft & Cavity Created by Casting & Counter Shaft (No Service Interval)

T-6..Hydrostatic - Type "F" Auto. Transmission Oil (No Service Interval); Gearcase - See CODE T-2

T-7..Hydrostatic - SAE 30 A.P.I. Service SC,SD,SE,SF Oil (No Service Interval); Gearcase - See CODE T-2

Transmission & Steering Gear

T-8..SAE 90/hypoid Gear Lubricant (Service Interval 200 Hrs. or 1yr. For Transmission Only)

1982 MODEL YEAR

VEHICLE IDENTIFICATION NUMBER:	23-05BPO1	23-08BPO1	03-08EPO1	02-11BHO1	02-08BXO1	A2-1137O1		01-08K8O3	01-16KH01	01-14KEO3		
	23-11BPO1	A3-0532O1	A2-0832O1	02-11BPO5	A2-1637O1	02-11BEO1	01-11BH01	A1-1142O1	01-19KEO1			
	23-11BXO1	A3-0832O1	A2-1032O1	02-16BPO4	A2-1642O1	02-16BEO1	01-12K8O3	A1-1642O1	A1-1848O1	01-14E8O1	01-16OS01	
MODEL:*	A-51,81, 111 5-Speed	RR-532, 832;E-81 5-Speed	SB-371, LT-1032, 832 3-Spd	B-85,115,165 TWIN; LT-1137,1637,1642 5-Speed	B-115, 165 TWIN Auto.	C-85,105,125,175; GT-1142,1642;SB-421 SK-486 8-Speed	GT-1848; C-145,175 195 Auto.	E-141 8-Speed	D-160 Auto.			
LUBRICATION CODES:**	C-1,D-1&2 E-1,T-1	C-1,D-1&2 E-1,T-1	C-1,E-1, T-2	C-1,E-1,T-5	C-1,E-1, T-7	C-1,E-1,T-3	C-1,E-1, T-4	C-1,T-3	C-1,E-2, T-4			

1983 MODEL YEAR

VEHICLE IDENTIFICATION NUMBER:	23-05BPO1	03-08BPO3	23-08BPO2	02-08BXO1	12-11BPO1	12-11BEO1	A2-0832O2	D2-1137O1	11-08K8O1	11-12K8O1		
	23-08BXO1	23-11BPO2	12-16BPO1	12-16BEO1	D2-1136O1	D2-1637O1	A1-1142O2	11-17K8O1	01-14KEO4	D1-1848O1	01-17KEO3	01-19KEO1
MODEL:*	A-51,81,111 5-Speed	B-85,115, 165 5-Spd	B-115,165 Auto.	LT-832,1136,1137, 1637 3-Speed	C-85,105,125,175; GT-1142,1642 8-Spd.	C-145,175,195; GT-1848 Auto.						
LUBRICATION CODES:**	C-1,D-1,D-2,E-1,T-1	C-1,E-1, T-5	C-1,E-1, T-7	C-1,E-1,T-2	C-1,E-1,T-3	C-1,E-1,T-4						

1984 MODEL YEAR

VEHICLE IDENTIFICATION NUMBER:	23-08BPO3	23-11BPO3	12-11BPO2	12-16BEO2	A2-11BPO1	A2-11BXO1	A2-16BPO1	11-10K8O2	A1-11B8O1	A1-16B8O1	11-14KEO1	A1-18BEO1	11-17KEO1	01-19KEO2
MODEL:*	A-81,111 5-Speed	B-115 5-Speed	B-165 Auto.	LT-1100,1600 3 & 5-Speed	C-105,125,165; GT-1100,1600 8-Spd.	C-145,175,195; GT-1800 Auto.								
LUBRICATION CODES:**	C-1,D-1&2 E-1,T-1	C-1,E-1, T-5	C-1,E-1, T-7	C-1,E-1,T-5	C-1,E-1,T-3	C-1,E-1,T-4								

CAPACITIES WHEN DRY

* Model	Engine	Transmission
A-51 Rider.....	3/4 qt.	12 oz.
A-81 Rider.....	1 1/8 qts.	12 oz.
A-111 Rider.....	1 1/2 qts.	12 oz.
B-85 5-Speed.....	1 1/8 qts.	30 oz.
B-115 5-Speed.....	1 1/2 qts.	30 oz.
B-115 Automatic.....	1 1/2 qts.	Hydro-24 oz. Gearcase- 1 3/8 qts.
B-165(TWIN) 5-Speed.	1 1/2 qts.	30 oz.
B-155(TWIN) Auto. ..	1 1/2 qts.	Hydro-24 oz. Gearcase- 1 3/8 qts.
C-85 8-Speed.....	1 1/4 qts.	2 qts.
C-105 8-Speed.....	1 1/2 qts.	2 qts.
C-125 8-Speed.....	1 1/2 qts.	2 qts.
C-145 Automatic.....	1 1/2 qts.	5 qts.
C-165 8-Speed.....	1 1/2 qts.	2 qts.
C-175(TWIN) 8-Speed.	1 3/4 qts.	2 qts.
C-175(TWIN) Auto. ..	1 3/4 qts.	5 qts.
C-195 Automatic.....	1 3/4 qts.	5 qts.
D-160 Automatic.....	3 qts.***	6 qts.
E-81 Rider(Battery Powered).....	N/A	12 oz.
E-141 8-Spd.(Battery Powered).....	N/A	2 qts.
GT-1100,1142 8-Spd..	1 1/2 qts.	2 qts.
GT-1600,1642 8-Spd..	1 1/2 qts.	2 qts.
GT-1800,1848 Auto. .	1 1/2 qts.	5 qts.
LT-832 3-Speed.....	1 1/2 qts.	24 oz.
LT-1032 3-Speed.....	1 qt.	24 oz.
LT-1100 3-Speed....	1 1/2 qts.	24 oz.
LT-1136 3-Speed.....	1 1/2 qts.	24 oz.
LT-1137 3-Speed.....	1 1/2 qts.	24 oz.
LT-1100,1137 5-Spd..	1 1/2 qts.	30 oz.
LT-1637 3-Speed.....	1 1/2 qts.	24 oz.
LT-1600,1637 5-Spd..	1 1/2 qts.	30 oz.
LT-1642 5-Speed.....	1 1/2 qts.	30 oz.
RR-532 Rider.....	3/4 qts.	12 oz.
RR-832 Rider.....	1 1/8 qts.	12 oz.
SB-371 3-Speed.....	1 1/2 qts.	24 oz.
SB-421 8-Speed.....	1 1/2 qts.	2 qts.
SK-486 8-Speed.....	1 1/2 qts.	2 qts.

*** 3 1/2 qts. With Filter Change

ENGINE OIL VISCOSITY

Use lowest anticipated temperature before next oil change.

ENGINE TEMPERATURE-VISCOSITY CHART

Air Temperature	Oil Viscosity
Briggs & Stratton	
Above 40°F	SAE 30
0°F to 100°F	SAE 10W-30,10W-40
Below 20°F	SAE 5W-20,5W-30
Kohler, Onan & Tecumseh	
Above 32°F	SAE 30,10W-30
Below 32°F	SAE 5W-30
Renault	
Above 85°F	SAE 20W-40
10°F to 85°F	SAE 10W-30
Below 10°F	SAE 5W-20

LUBRICATION RECOMMENDATIONS

** CODE

All Grease Fittings
C-1..#2 Multi-Purpose Lithium Base Grease(Service Interval 25 Hrs.)

Differential

D-1..1 oz. SAE 90 EP Lithium Grease (No Service Interval)

Drive Chain

D-2..Light Machine Oil (Service Interval 25 Hrs.)

Engine Crankcase

E-1..API Service SC,SD,SE,SF Oil (Service Interval 25 Hrs.)
E-2..API Service SE,SF Oil (Service Interval 25 Hrs.);Filter-Service Interval 50 Hrs.

Engine Governor

E-3.. 1.7 oz. SAE 10 API Service SC,SD,SE,SF Oil(No Service Interval)

LUBRICATION RECOMMENDATIONS (Con't)

** CODE

Hydraulic System

H-1..3 qts. HD SAE 10 Oil (Service Interval 500 Hrs.)

Transmission/Transaxle

T-1.. Bentonite Grease (Peerless #788067B). Use EP lithium grease for needle bearings. (No service interval.
T-2..SAE 90 EP Gear Lubricant (No Service Interval)
T-3..SAE 90-140 A.P.I. Service GL-5 Gear Lubricant (No Service Interval)
T-4..SAE 10W-30 or 10W-40 Engine Oil Oil & Filter: Service Interval 100 Hrs. or 1yr.

T-5..EP Lithium Grease; Use N3 UNIREX Special Grease Between Brgs. On Input Shaft, Output Shaft & Cavity Created by Casting & Counter Shaft (No Service Interval)

T-6..Hydrostatic - Type "F" Auto. Transmission Oil (No Service Interval); Gearcase - See CODE T-2

T-7..Hydrostatic - SAE 30 A.P.I. Service SC,SD,SE,SF Oil (No Service Interval); Gearcase - See CODE T-2

Transmission & Steering Gear

T-8..SAE 90/Hypoid Gear Lubricant (Service Interval 200 Hrs. or 1yr. For Transmission Only)

1985 MODEL YEAR

VEHICLE IDENTIFICATION NUMBER:	33-08BP01 33-11BP01 33-08X301 33-08B301 33-08B501 33-11B501	22-08B301 22-11B301 22-11B501 22-16B501	22-11BE01	21-10K801 21-12K801 21-14K801 31-16K801 31-17K801	21-14KE01	31-17KE01	08-18BE01
MODEL:*	A-85,115,108-R, 108-3,108-5,111-5 3 & 5-Speed	208-3,211-3,211-5 216-5 3 & 5-Speed	211-A Auto.	310-8,312-8,314-8, 416-8, 417-8 8-Speed	314-A Auto.	417-A Auto.	5018 Auto.
LUBRICATION CODES:**	C-1,E-1,T-5	C-1,E-1,T-5	C-1,E-1, T-2,T-7	C-1,E-1,T-3	C-1,E-1, T-4A,T-7	C-1,E-1, T-4	C-1,D-2 E-2,T-7A T-9

1986 MODEL YEAR

VEHICLE IDENTIFICATION NUMBER:	33-08X303 33-08B303 33-08B502,33-11B502	22-08B302 22-11B302 22-11B502 22-11B602	32-11B301 32-11B501	21-08K801,02 21-10K802,03 21-12K802,03 31-14B801 31-16K802 31-17K802	21-12KE01,02	31-17KE02	Z1-18KE01
MODEL:*	108-R,108-3,108-5 111-5 3 & 5-Speed	208-3,211-3,211-5 211-6 3, 5 & 6-Speed	211-3 211-5 3&5-Speed	308-8,310-8,312-8,414-8 416-8, 417-8 8-Speed	312-A Auto.	417-A Auto.	718-Z Auto.
LUBRICATION CODES:**	C-1,E-1,T-5	C-1,E-1, T-5	C-1,E-1 T-5	C-1,E-1 T-3	C-1,E-1 T-4A,T-7	C-1,E-1 T-4	C-1,D-2 E-2,T-7A T-9

CAPACITIES WHL. DRY

*Model	Engine	Transmission
A-85 Rider.....	1-1/8 qts.	30 oz.
A-115 Rider.....	1-1/2 qts.	30 oz.
108-R Rider.....	1-1/8 qts.	24 oz.
108-3 Rider.....	1-1/8 qts.	24 oz.
108-5 Rider.....	1-1/8 qts.	30 oz.
111-5 Rider.....	1-1/2 qts.	30 oz.
208-3 3-Speed.....	1-1/8 qts.	24 oz.
211-3 3-Speed.....	1-1/8 qts.	24 oz.
211-5 5-Speed.....	1-1/2 qts.	30 oz.
211-6 6-Speed.....	1-1/2 qts.	36 oz.
216-5 5-Speed.....	1-1/2 qts.	30 oz.
211-A Automatic.....	1-1/2 qts.	Hydro-3/4qt Gearcase- 1-3/8 qts.
308-8 8-Speed.....	1 qt.	2 qts.
310-8 8-Speed.....	2-1/2 qts.	2 qts.
312-8 8-Speed.'85-2qts/'86-2-1/2	2 qts.	2 qts.
312-A Automatic.....	2-1/2 qts.	Hydro-3/4qt Gearcase- 3 qts.
314-8 8-Speed.....	2 qts.	2 qts.
314-A Automatic.....	2 qts.	Hydro-3/4qt Gearcase- 3 qts.
414-8 8-Speed.....	2-1/2 qts.	2 qts.
416-8 8-Speed.'85-2qts/'86-2-1/2	2 qts.	2 qts.
417-8 8-Speed.....	1-1/2 qts.	2 qts.
417-A Automatic.....	1-1/2 qts.	Hydro & Transaxle 5 qts.
5018 Automatic.....	2-1/4 qts.	Each Hydro with filter 3/4 qts. and oil cooler
718-Z Automatic.....	1-3/4 qts.	Each Hydro with filter 3/4 qts.

ENGINE OIL VISC.

Use lowest anticipated temperature before next oil change.

ENGINE TEMPERATURE-VISCOSITY CHART

Air Temperature	Oil Viscosity
Briggs & Stratton	
Above 40°F	SAE 30
0°F to 100°F	SAE 10W-30, 10W-40
Below 20°F	SAE 5W-20, 5W-30
Kohler, Onan & Tecumseh	
Above 32°F	SAE 30, 10W-30
Below 32°F	SAE 5W-30
Renault	
Above 85°F	SAE 20W-40
10°F to 85°F	SAE 10W-30
Below 10°F	SAE 5W-20

LUBRICATION RECOMMENDATIONS

- **CODE**
- All Grease Fittings
- C-1..#2 Multi-Purpose Lithium Base Grease (Service Interval 25 Hrs.)
- Differential
- D-1..1 oz. SAE 90 EP Lithium Grease (No Service Interval)
- Drive Chain
- D-2..Light Machine Oil (Service Interval 25 Hrs.)
- Engine Crankcase
- E-1..API Service SC,SD,SE,SF Oil (Service Interval 25 Hrs.)
- E-2..API Service SE,SF Oil (Service Interval 25 Hrs.);Filter- (Service Interval 25 Hrs.)
- Engine Governor
- E-3..1.7 oz. SAE 10 API Service SC, SD,SE,SF Oil (No Service Interval)

LUBRICATION RECOMMENDATIONS (t)

****CODE**

- Hydraulic System
- H-1..3 qts. HD SAE 10 Oil (Service Interval 500 Hrs.)
- Transmission/Transaxle
- T-1.. Bentonite Grease (Peerless #788067B). Use EP lithium grease for needle bearings. (No service interval.)
- T-2..SAE 90 EP Gear Lubricant (No Service Interval)
- T-3..SAE 90-140 A.P.I. Service GL-5 Gear Lubricant (No Service Interval)
- T-4..SAE 10W-30 or 10W-40 Engine Oil Oil & Filter: Service Interval 100 Hrs. or 1yr.
- T-4A..Gearcase-SAE 10W-30 or 10W-40 Engine Oil
- T-5..EP Lithium Grease; Use N3 UNIREX Special Grease Between Brgs. On Input Shaft, Output Shaft & Cavity Created by Casting & Counter Shaft (No Service Interval)
- T-6..Hydrostatic - Type "F" Auto. Transmission Oil (No Service Interval); Gearcase - See CODE T-2
- T-7..Hydrostatic - SAE 30 A.P.I. Service SC,SD,SE,SF Oil (No Service Interval); Gearcase-See CODE T-2 200-Series See CODE T-4A 300-Series
- T-7A.. Hydrostatic - SAE 30 A.P.I. SC, SD, SE, SF Oil
- Transmission & Steering
- T-8..SAE 90/Hypoid Gear Lubricant (Service Interval 200 Hrs. or 1 yr. for Trans. only)
- T-Gearbox
- T-9..SAE 90W - 6oz. (No Service Interval)

1987 MODEL YEAR

VEHICLE IDENTIFICATION NUMBER:	33-08B304 33-08B504 33-08B503 33-11B503 33-11B601 33-12K501	32-08B301 32-11B401 32-11BX01 32-12K601	21-08K803 21-10K804 21-12K804 31-14K802 31-16K803 31-18K801	21-12KE03	31-18KE01 41-18KE01	Z1-18KE02 Z1-20KE01	
MODEL:**	108-3,108-4,108-5 111-5,111-5,112-C 3,4,5 & 6-Speed	208-3,211-4,211-5 212-6 3,4,5 & 6-Speed	308-8,310-8,312-8, 414-8,416-8,418-8 8-Speed	312-A Auto.	418-A 420-LSE Auto.	718-Z 720-Z Auto.	
LUBRICATION CODES:**	C-1,E-1,T-5	C-1,E-1,T-5	C-1,E-1,T-3	C-1,E-1, T-4A,T-7	C-1,E-1, T-4	C-1,D-2 E-3,T-7A T-9	

1988 MODEL YEAR

VEHICLE IDENTIFICATION NUMBER:	33-08B402 33-08B504 33-11B601 33-12K502	32-08B402 32-11B402 32-11BX02 32-12K602		22-13KE01 22-17KE01	21-08K804 21-10K805 21-12K805 31-14K803 31-16K804	31-160E01 31-180E01 31-200E01 C1-200E01	Z1-240E01
MODEL:**	108-4,108-5,111-6 112-C 3,4,5 & 6-Speed	208-4,211-4,211-5 212-6 4, 5 & 6-Speed		252-H 257-H Auto.	308-8,310-8,312-8, 414-8,416-8 8-Speed	516-H,518-H 520-H,520-HC Auto.	724-Z Auto.
LUBRICATION CODES:**	C-1,E-1,E-2 T-5	C-1,E-1,E-2(212) T-5		C-1,E-2 T-2,T-7	C-1,E-1 T-3	C-1,E-1A,T-4 516/518- T-4A,T-7 520'S- T-4	C-1,D-2 E-3,T-7 T-9

CAPACITIES WHEN DRY

*Model	Engine	Transmission
108-3 Rider.....	1-1/8 qts.	24 oz.
108-4 Rider.....	1-1/8 qts.	24 oz.
108-5 Rider.....	1-1/8 qts.	30 oz.
111-5 Rider.....	1-1/2 qts.	30 oz.
111-6 Rider.....	1-1/2 qts.	30 oz.
112-C Rider.....	1-1/2 qts.	30 oz.
208-4 4-Speed.....	1-1/8 qts.	24 oz.
208-5 5-Speed.....	1-1/8 qts.	30 oz.
211-4 4-Speed.....	1-1/2 qts.	24 oz.
211-5 5-Speed.....	1-1/2 qts.	30 oz.
212-6 6-Speed.....	1-1/2 qts.	30 oz.
212-H Automatic.....	1-1/2 qts.	1-3/4 qts.
252-H Automatic.....	1-1/2 qts.	Hydro-3/4qt. 1-3/4w/filter Gearcase- 1-3/8 qts.
257-H Automatic.....	1-3/4 qts.	Hydro-3/4qt. 2qts w/filter Gearcase- 1-3/8 qts.
308-8 8-Speed.....	1 qt.	2 qts.
310-8 8-Speed.....	2-1/2 qts.	2 qts.
312-8 8-Speed.....	2-1/2 qts.	2 qts.
414-8 8-Speed.....	2-1/2 qts.	2 qts.
416-8 8-Speed.....	2-1/2 qts.	2 qts.
516-H 8-Speed.....	1-1/2 qts.	Hydro-3/4qt. Grcase-3qts.
518-H Automatic.....	1-1/2 qts.	Hydro-3/4qt 1-3/4w/filter Grcase-3qts.
520-H Automatic.....	1-1/2 qts.	Hydro. & 1-3/4w/filter Trans.-5qts.
520-HC Automatic....	1-1/2 qts.	Hydro. & 1-3/4w/filter Trans.-5qts.
718-Z Automatic.....	1-1/2 qts.	Each Hydro- 1-3/4w/filter 3/4 qt.
724-Z Automatic.....	2-1/2 qts.	Each Hydro 3qts w/filter 3/4 qts.

ENGINE OIL VISCOSITY

Use lowest anticipated temperature before next oil change.

ENGINE TEMPERATURE-VISCOSITY CHART

Air Temperature	Oil Viscosity
Briggs & Stratton	
Above 40°F	SAE 30
0°F to 100°F	SAE 10W-30, 10W-40
Below 20°F	SAE 5W-20, 5W-30
Kohler, Onan & Tecumseh	
Above 32°F	SAE 30, 10W-30
Below 32°F	SAE 5W-30
Renault	
Above 85°F	SAE 20W-40
10°F to 85°F	SAE 10W-30
Below 10°F	SAE 5W-20
Kawasaki	
Above 32°F	SAE 30, 10W-30
Below 32°F	SAE 5W-20

LUBRICATION RECOMMENDATIONS

**CODE

<u>All Grease Fittings</u>	
C-1..	#2 Multi-Purpose Lithium Base Grease (Service Interval 25 Hrs.)
<u>Differential</u>	
D-1..	1 oz. SAE 90 EP Lithium Grease (No Service Interval)
<u>Drive Chain</u>	
D-2..	Light Machine Oil (Service Interval 25 Hrs.)
<u>Engine Crankcase</u>	
E-1..	API Service SC,SD,SE,SF Oil (Service Interval 25 Hrs.)
E-2..	API Service SD,SE,SF Oil (Service Interval 50 Hrs.); If equipped with Oil Filter- (Service Interval-100Hrs.)
E-3..	API Service SE,SF Oil (Service Interval 25 Hrs.); Filter- (Service Interval 50 Hrs.)

LUBRICATION RECOMMENDATIONS (cont)

**CODE

Hydraulic System

H-1.. 3 qts. HD SAE 10 Oil (Service Interval 500 Hrs.)

Transmission/Transaxle

- T-1.. Bentonite Grease (Peerless #788067B). Use EP lithium grease for needle bearings. (No service interval.)
- T-2.. SAE 90 EP Gear Lubricant (No Service Interval)
- T-3.. SAE 90-140 A.P.I. Service GL-5 Gear Lubricant (No Service Interval)
- T-4.. SAE 10W-30 or 10W-40 Engine Oil Oil Filter: Service Interval 100 Hrs. or 1 Yr.
- T-4A. Gearcase - SAE 10W-30 or 10W-40 Engine Oil
- T-5.. EP Lithium Grease; Use N3 UNIREX Special Grease Between Brgs. On Input Shaft, Output Shaft & Cavity Created by Casting & Counter Shaft (No Service Interval)
- T-6.. Hydrostatic - Type "F" Auto. Transmission Oil (No Service Interval); Gearcase - See CODE T-2
- T-7.. Hydrostatic - SAE 30 A.P.I. Service SC,SD,SE,SF Oil (No Service Interval); Gearcase-See CODE T-2 250-Series See CODE T-4A 300 or 500-Series
- T-7A.. Hydrostatic - SAE 30 A.P.I. SC, SD, SE, SF Oil

Transmission & Steering

- T-8.. SAE 90/Hypoid Gear Lubricant (Service Interval 200 Hrs. or 1 yr. for Trans. only).
- T-Gearbox
- T-9.. SAE 90W - 6oz. (No Service Interval).

		1989 MODEL YEAR					
VEHICLE IDENTIFICATION NUMBER:	42-08B401; 42-11B501; 32-11B403; 32-12B501; 32-12BE01	22-13KE02 22-17KE02	21-10K806; 21-12K806; 31-14K804; 31-16O801	31-18OE02; 31-20OE02; C1-20OE02	Y1-16OE01	Z1-24OE02	
MODEL: *	208-4SB; 211-4; 211-5SB; 212-5; 212-H 4-5 SPEED & HYDROSTATIC	252-H 257-H HYDROSTATIC	310-8; 312-8; 414-8; 416-8 8-SPEED	518-H; 520-H; 520-HC HYDROSTATIC	616-Z HYDROSTATIC	724-Z HYDROSTATIC	
LUBRICATION CODES: **	C-1,E-1, 5-SPD (T-5) HYDRO (T-7)	C-1, E-2, T-2,T-7	C-1,E-1,T-3	C-1,E-2, 518 (T-4A,T-7) 520's (T-4)	C-1,E-2,T-7	C-1,D-2,E-3, T-7,T-9	

		1990 MODEL YEAR					
VEHICLE IDENTIFICATION NUMBER:	56123; 56128; 56145; 56165; 56175	55600;55620	32-10B501; 32-10BE01; 32-12O501; 32-12OE01; 32-16BE01	31-10K801; 31-12K801; 31-12KE01; 31-16O802; 41-16OE01	41-20O801; 41-20OE01	Y1-12OE01; Y1-16OE02	Z1-24OE03
MODEL: *	8-25R,8-25 8-32,10-32 12-32 5-SPEED	1200-HMR 1600-HMR 5-SPEED	210-5,210-H *212-5,*212-H 216-H 5-SPEED & HYDRO- STATIC	310-8,312-8 312-H,416-8 416-H 8-SPEED & HYDRO- STATIC	520-8,520-H 8-SPEED & HYDRO- STATIC	612-Z,616-Z HYDRO- STATIC	724-Z HYDRO- STATIC
LUBRICATION CODES: **	C-1,D-2, E-1,T-1	C-1,D-2, E-1,T-1	C-1,E-1,*E-2 5-SPD (T-5) HYDRO (T-7)	C-1,E-1(300), E-2 (400), 8-SPD (T-3) HYDRO (T-4)	C-1,E-2 8-SPD (T-3) HYDRO (T-4)	C-1,E-2,T-7	C-1,D-2,E-3, T-7,T-9

CAPACITIES WHEN DRY

ENGINE OIL VISCOSITY

LUBRICATION RECOMMENDATIONS (CON'T)

*Model	Engine	Transmission	Use lowest anticipated temperature before next oil change.	**CODE
8-25 Rider	4 Pints	12 oz.	change.	<u>Hydraulic System</u>
8-25R Rider	4 Pints	12 oz.	ENGINE TEMPERATURE-VISCOSITY CHART	H-1--3 qts. HD SAE 10 Oil
8-32 Rider	4 Pints	12 oz.	<u>Air Temperature</u> <u>Oil Viscosity</u>	(Service Interval 500 hrs.)
10-32 Rider	3 Pints	12 oz.	Briggs&Stratton & 16hpToro Power Plus (200-Series)	<u>Transmission/Transaxle</u>
12-32 Rider	3 Pints	12 oz.	Above 40°F	T-1.. Bentonite Grease (Peerless #788067B). Use EP lithium grease for needle bearings. (No service interval.)
1200-HMR	3 Pints	12 oz.	0°F to 100°F	T-2--SAE 90 EP Gear Lubricant
1600-HMR	3 1/2 Pints	12 oz.	Below 20°F	(No Service Interval)
208-4SB	1-1/8 qts.	24 oz.		T-3--SAE 90-140 A.P.I. Service GL-5 Gear Lub
210-5	1-1/2 qts.	30 oz.	Above 32°F	(No Service Interval)
210-H	1-1/2 qts.	1-3/4 qts.	Below 32°F	T-4--SAE 10W-30 or 10W-40 Engine Oil
211-4	1-1/2 qts.	24 oz.		(Oil & Filter Service Interval 100 hrs.)
211-5SB	1-1/2 qts.	30 oz.	Above 32°F	T-4A--Gearcase - SAE 10W-30 or 10W-40
212-5(Briggs)	1-1/2 qts.	30 oz.	Below 32°F	Engine Oil
212-5(Toro)	1-1/2 qts.(w/o Filter)		Onan & Toro Power Plus (200-12.5hp,400,500, 600,700-Series)	(Service Interval 100 hrs.)
	1.65 qts.(w/Filter)	30 oz.		T-5--EP Lithium Grease on Input Shaft, Output Shaft & Cavity Created by Casting & Counter Shaft. Use N3 UNIREX Special Grease Between Bearings.
212-H(Briggs)	1-1/2 qts.	1-3/4 qts.	Above 80°F	(No Service Interval)
212-H(Toro)	1-1/2 qts.(w/o Filter)		Above 60°F	T-6--Hydrostatic - Type "F" Automatic Transmission Oil.
	1.65 qts.(w/Filter)	1-3/4 qts.	32°F to100°F	(No Service Interval)
216-H	1-1/2 qts.(w/o Filter)		Below 32°F	Gearcase - See Code T-2.
	1.60 qts.(w/Filter)	1-3/4 qts.	Below 20°F	T-7.. Hydrostatic - SAE 30 A.P.I. Service SC, SD, SE, SF Oil.
252-H	1-1/2 qts.(w/o Filter) Hydro 3/4 qt.			(No Service Interval)
	1-3/4 qts. (w/Filter) Gearcase 1-3/8 qts.		LUBRICATION RECOMMENDATIONS	Gearcase - See Code T-2 for 250-Series
257-H	1-3/4 qts.(w/o Filter)Hydro 3/4 qt.		**CODE	See Code T-4A for 300,400 or 500-Series.
	1-3/4 qts.(w/Filter) Gearcase 1-3/8 qts.		<u>All Grease Fittings</u>	T-7A.. Hydrostatic - SAE 30 A.P.I. SC, SD, SE, SF Oil
310,312&414-8	2-1/2 qts.	2 qts.	C-1--#2 Multi-Purpose Lithium Base Grease	<u>Transmission & Steering</u>
312-H	2-1/2 qts.	5 qts.	(Service Interval 25 Hrs.)	T-8--SAE 90/Hypoid Gear Lubricant
416-8(Kohler)	2-1/2 qts.	2 qts.	<u>Differential</u>	(Service Interval 200 hrs. or 1 yr. for Transmission only).
416-8(Toro)	1.5 qts.(w/o Filter)		D-1--1 oz. SAE 90 EP Lithium Grease	<u>T-Gearbox</u>
	1.7 qts.(w/Filter)	2qts.	(No Service Interval)	T-9--SAE 90W - 6 oz.
416,520-H &	1.5 qts.(w/o Filter)		<u>Drive Chain</u>	(No Service Interval)
520-HC	1.7 qts.(w/Filter)	5 qts.	D-2--Light Machine Oil	
518-H	1.5 qts.(w/oFilter) Hydro 3/4 qt.		(Service Interval 25 hrs.)	
	1.7 qts.(w/Filter) Gearcase 1-3/8 qts.		<u>Engine Crankcase</u>	
520-8	1.5 qts.(w/oFilter)		E-1--API Service SC,SD,SE,SF Oil	
	1.7 qts.(w/Filter)	2 qts.	(Service Interval 25 hrs.)	
612-Z	1 1/2 qts.(w/oFilter)		E-2--API Service SD,SE,SF Oil	
	1.65 qts.(w/Filter)	1.5 qts.Each	(Oil Service Interval 50 hrs.)	
616-Z	1.7 qts.(w/oFilter)		(Filter Service Interval 100 hrs.)	
	2.0 qts.(w/Filter)	1.5 qts. Each	E-3--API Service SE,SF Oil	
724-Z	2.5 qts.(w/oFilter)		(Oil Service Interval 25 Hrs.)	
	3.0 qts.(w/Filter)	3/4 qt. Each	(Filter Interval 50 Hrs.)	

1991 Model Year						
Name	Model	Engine Oil	Engine Oil	Transmission	Transmission	Chassis
	Number/VIN	Capacity	Code	Capacity	Lube Code	Lube Code
8-25	56132	1 quart	E-1	12 ounces	T-10	C-1, D-2
8-32	56185	1 quart	E-1	12 ounces	T-10	C-1, D-2
10-32	56190	1½ quarts	E-1	12 ounces	T-10	C-1, D-2
12-32	56195	1½ quarts	E-1	12 ounces	T-10	C-1, D-2
210-5	32-10B502	1½ quarts	E-1	30 ounces	T-10	C-1
210-H	32-10BE02	1½ quarts	E-1	1 quart	T-12	C-1
212-5	32-12O502	1½ qt (1¼ w/ filter)	E-2	30 ounces	T-10	C-1
212-H	32-12OE02	1½ qt (1¼ w/ filter)	E-2	1 quart	T-12	C-1
244-5	22-14O501	1½ qt (1¼ w/ filter)	E-2	36 ounces	T-10	C-1
244-H	22-14OE01	1½ qt (1¼ w/ filter)	E-2	1 quart	T-12	C-1
310-8	31-10K802	2½ quarts	E-1	2 quarts	T-3	C-1
312-8	31-12K802	2½ quarts	E-1	2 quarts	T-3	C-1
312-H	51-12KE01	2½ quarts	E-1	5 quarts	T-4	C-1
416-8	31-16O803	1½ qt (1¼ w/ filter)	E-2	2 quarts	T-3	C-1
416-H	51-16OE01	1½ qt (1¼ w/ filter)	E-2	5 quarts	T-4	C-1
520-H	41-20OE02	1½ qt (1¼ w/ filter)	E-2	5 quarts	T-4	C-1

ENGINE TEMPERATURE-VISCOSITY CHARTS

Briggs & Stratton-Gasoline

Air Temperature

Above 40°

Below 40°

Oil Viscosity

SAE 30

SAE 5W-30, 10W-30,
Synthetic 5W-20, 5W-30

Briggs & Stratton-Diesel

Air Temperature

Above 32°

Above 0°

Below 50°

Oil Viscosity

SAE 30

SAE 10W-30, 10W-40, 10W-50
SAE 5W-30, Synthetic 5W-30

Kawasaki-Water Cooled

Air Temperature

Above 68°

32° to 90°

-4° to 90°

Below 32°

Oil Viscosity

SAE 40

SAE 30

SAE 10W-30, 10W-40

SAE 5W-20

Kohler-M-Series "L" Head

Air Temperature

Above 32°

Below 32°

0°-32°

Oil Viscosity

SAE 30 (recommended), 10W-30

SAE 5W-20, 5W-30

SAE 10W-30

Kohler-Command OHV

Air Temperature

Above 0°

Below 32°

Oil Viscosity

SAE 10W-30

SAE 5W-20, 5W-30

LUBRICATION RECOMMENDATIONS

Lube Code

All Grease Fittings

C-1--#2 Multi-purpose Lithium Grease
Service Interval 25 hrs

Drive Chain

D-2--Light Machine Oil
Service Interval 25 hrs

Engine Crankcase

E-1--API Service SG, SH, SJ Oil
Service Interval 25 hrs

E-2--API Service SG, SH, SJ Oil
Oil Service Interval 50 hrs
Filter Service Interval 100 hrs

E-3--API Service SG, SH, SJ Oil
Oil Service Interval 25 hrs
Filter Service Interval 50 hrs

E-4--API Service SG, SH, SJ Oil
Oil Service Interval 100 hrs
Filter Service Interval 200 hrs

E-5--API Service SE/CD
Service Interval 100 hrs
Filter Interval 200 hrs

Transmission/Transaxle

T-3--SAE 90-140 API Service GL-5 Gear Oil
No Service Interval

T-4--SAE 10W-30 or 10W-40 API Service SG, SH, SJ
Oil & Filter Service Interval 100 hrs

T-10--Bentonite Grease (Peerless P/N 788067B)
Use EP Lithium Grease to Lube Needle Bearings
No Service Interval

T-11--SAE EP 80W/90 Gear Oil (Peerless P/N 730229A)
No Service Interval

T-12--SAE 30 API Service SG, SH, SJ
No Service Interval

Transmission/Transaxle, cont.

T-13--SAE 20W-50 API Service SH, SJ
Alternate-Synthetic 5W-50
No Service Interval

T-14--SAE 10W-30 API Service CD
Alternate-Synthetic 5W-50
No Service Interval

T-15--SAE 10W-30 or SAE 10W-40
API Service SG, SH, SJ
Oil & Filter Service Interval 100 hrs

1992 Model Year						
Name	Model	Engine Oil	Engine Oil	Transmission	Transmission	Chassis
	Number/VIN	Capacity	Code	Capacity	Lube Code	Lube Code
8-25	56132	1 quart	E-1	12 ounces	T-10	C-1, D-2
8-32	56185	1 quart	E-1	12 ounces	T-10	C-1, D-2
10-32	56190	1½ quarts	E-1	12 ounces	T-10	C-1, D-2
12-32	56195	1½ quarts	E-1	12 ounces	T-10	C-1, D-2
210-5	32-10B503	1½ quarts	E-1	30 ounces	T-10	C-1
210-H	32-10BE03	1½ quarts	E-1	1 quart	T-12	C-1
212-5	32-12O503	1½ qt (1¾ w/ filter)	E-2	30 ounces	T-10	C-1
212-H	32-12OE03	1½ qt (1¾ w/ filter)	E-2	1 quart	T-12	C-1
244-5	22-14O502	1½ qt (1¾ w/ filter)	E-2	36 ounces	T-10	C-1
244-H	22-14OE02	1½ qt (1¾ w/ filter)	E-2	1 quart	T-12	C-1
246-H	42-16BE01	¾ qt (7/8 w/ filter)	E-3	1 quart	T-12	C-1
310-8	31-10K803	2½ quarts	E-1	2 quarts	T-3	C-1
312-8	31-12K804	2½ quarts	E-1	2 quarts	T-3	C-1
312-H	51-12KE02	2½ quarts	E-1	5 quarts	T-4	C-1
416-8	31-16O804	1½ qt (1¾ w/ filter)	E-2	2 quarts	T-3	C-1
416-H	51-16OE02	1½ qt (1¾ w/ filter)	E-2	5 quarts	T-4	C-1
520-H	41-20OE03	1½ qt (1¾ w/ filter)	E-2	5 quarts	T-4	C-1

ENGINE TEMPERATURE-VISCOSITY CHARTS

Briggs & Stratton-Gasoline

Air Temperature

Above 40°
Below 40°

Oil Viscosity

SAE 30
SAE 5W-30, 10W-30,
Synthetic 5W-20, 5W-30

Briggs & Stratton-Diesel

Air Temperature

Above 32°
Above 0°
Below 50°

Oil Viscosity

SAE 30
SAE 10W-30, 10W-40, 10W-50
SAE 5W-30, Synthetic 5W-30

Kawasaki-Water Cooled

Air Temperature

Above 68°
32° to 90°
-4° to 90°
Below 32°

Oil Viscosity

SAE 40
SAE 30
SAE 10W-30, 10W-40
SAE 5W-20

Kohler-M-Series "L" Head

Air Temperature

Above 32°
Below 32°
0°-32°

Oil Viscosity

SAE 30 (recommended), 10W-30
SAE 5W-20, 5W-30
SAE 10W-30

Kohler-Command OHV

Air Temperature

Above 0°
Below 32°

Oil Viscosity

SAE 10W-30
SAE 5W-20, 5W-30

LUBRICATION RECOMMENDATIONS

Lube Code

All Grease Fittings

C-1--#2 Multi-purpose Lithium Grease
Service Interval 25 hrs

Drive Chain

D-2--Light Machine Oil
Service Interval 25 hrs

Engine Crankcase

E-1--API Service SG, SH, SJ Oil
Service Interval 25 hrs
E-2--API Service SG, SH, SJ Oil
Oil Service Interval 50 hrs
Filter Service Interval 100 hrs
E-3--API Service SG, SH, SJ Oil
Oil Service Interval 25 hrs
Filter Service Interval 50 hrs
E-4--API Service SG, SH, SJ Oil
Oil Service Interval 100 hrs
Filter Service Interval 200 hrs
E-5--API Service SE/CD
Service Interval 100 hrs
Filter Interval 200 hrs

Transmission/Transaxle

T-3--SAE 90-140 API Service GL-5 Gear Oil
No Service Interval
T-4--SAE 10W-30 or 10W-40 API Service SG, SH, SJ
Oil & Filter Service Interval 100 hrs
T-10--Bentonite Grease (Peerless P/N 788067B)
Use EP Lithium Grease to Lube Needle Bearings
No Service Interval
T-11--SAE EP 80W/90 Gear Oil (Peerless P/N 730229A)
No Service Interval
T-12--SAE 30 API Service SG, SH, SJ
No Service Interval

Transmission/Transaxle, cont.

T-13--SAE 20W-50 API Service SH, SJ
Alternate-Synthetic 5W-50
No Service Interval
T-14--SAE 10W-30 API Service CD
Alternate-Synthetic 5W-50
No Service Interval
T-15--SAE 10W-30 or SAE 10W-40
API Service SG, SH, SJ
Oil & Filter Service Interval 100 hrs

1993 Model Year						
Name	Model Number	Engine Oil Capacity	Engine Oil Code	Transmission Capacity	Transmission Lube Code	Chassis Lube Code
8-25	70040	1 quart	E-1	12 ounces	T-10	C-1, D-2
8-32	70042	1 quart	E-1	10 ounces	T-10	C-1
10-32	70080	1½ quarts	E-1	10 ounces	T-10	C-1
12-32	70120	1½ quarts	E-1	10 ounces	T-10	C-1
10-32XL	71140	1½ quarts	E-1	10 ounces	T-10	C-1
12-38XL	71180	1½ quarts	E-1	10 ounces	T-10	C-1
12-38HXL	71181	1½ quarts	E-1	2½ quarts	T-13	C-1
244-5	72040	1½ qt (1¾ w/ filter)	E-2	36 ounces	T-10	C-1
244-H	72041	1½ qt (1¾ w/ filter)	E-2	1 quart	T-12	C-1
246-H	72081	¾ qt (7/8 w/ filter)	E-3	1 quart	T-12	C-1
310-8	73320	2½ quarts	E-1	2 quarts	T-3	C-1
314-8	73400	2½ quarts	E-1	2 quarts	T-3	C-1
314-H	73401	2½ quarts	E-1	5 quarts	T-4	C-1
416-8	73420	1½ qt (1¾ w/ filter)	E-2	2 quarts	T-3	C-1
416-H	73421	1½ qt (1¾ w/ filter)	E-2	5 quarts	T-4	C-1
520-H	73501	1½ qt (1¾ w/ filter)	E-2	5 quarts	T-4	C-1

Briggs & Stratton-GasolineAir Temperature

Above 40°

Below 40°

Oil Viscosity

SAE 30

SAE 5W-30, 10W-30,
Synthetic 5W-20, 5W-30**Briggs & Stratton-Diesel**Air Temperature

Above 32°

Above 0°

Below 50°

Oil Viscosity

SAE 30

SAE 10W-30, 10W-40, 10W-50
SAE 5W-30, Synthetic 5W-30**Kawasaki-Water Cooled**Air Temperature

Above 68°

32° to 90°

-4° to 90°

Below 32°

Oil Viscosity

SAE 40

SAE 30

SAE 10W-30, 10W-40

SAE 5W-20

Kohler-M-Series "L" HeadAir Temperature

Above 32°

Below 32°

0°-32°

Oil Viscosity

SAE 30 (recommended), 10W-30

SAE 5W-20, 5W-30

SAE 10W-30

Kohler-Command OHVAir Temperature

Above 0°

Below 32°

Oil Viscosity

SAE 10W-30

SAE 5W-20, 5W-30

Lube CodeAll Grease FittingsC-1--#2 Multi-purpose Lithium Grease
Service Interval 25 hrsDrive ChainD-2--Light Machine Oil
Service Interval 25 hrsEngine CrankcaseE-1--API Service SG, SH, SJ Oil
Service Interval 25 hrs
E-2--API Service SG, SH, SJ Oil
Oil Service Interval 50 hrs
Filter Service Interval 100 hrs
E-3--API Service SG, SH, SJ Oil
Oil Service Interval 25 hrs
Filter Service Interval 50 hrs
E-4--API Service SG, SH, SJ Oil
Oil Service Interval 100 hrs
Filter Service Interval 200 hrs
E-5--API Service SE/CD
Service Interval 100 hrs
Filter Interval 200 hrsTransmission/TransaxleT-3--SAE 90-140 API Service GL-5 Gear Oil
No Service Interval
T-4--SAE 10W-30 or 10W-40 API Service SG, SH, SJ
Oil & Filter Service Interval 100 hrs
T-10--Bentonite Grease (Peerless P/N 788067B)
Use EP Lithium Grease to Lube Needle Bearings
No Service Interval
T-11--SAE EP 80W/90 Gear Oil (Peerless P/N 730229A)
No Service Interval
T-12--SAE 30 API Service SG, SH, SJ
No Service IntervalTransmission/Transaxle, cont.T-13--SAE 20W-50 API Service SH, SJ
Alternate-Synthetic 5W-50
No Service Interval
T-14--SAE 10W-30 API Service CD
Alternate-Synthetic 5W-50
No Service Interval
T-15--SAE 10W-30 or SAE 10W-40
API Service SG, SH, SJ
Oil & Filter Service Interval 100 hrs

1994 Model Year						
Name	Model	Engine Oil	Engine Oil	Transmission	Transmission	Chassis
	Number	Capacity	Code	Capacity	Lube Code	Lube Code
8-25	70040	1 quart	E-1	12 ounces	T-10	C-1, D-2
10-32	70080	1½ quarts	E-1	10 ounces	T-10	C-1
12-32	70120	1½ quarts	E-1	10 ounces	T-10	C-1
12-32XL	71182	1½ quarts	E-1	10 ounces	T-10	C-1
12-38XL	71184	1½ quarts	E-1	10 ounces	T-10	C-1
13-38HXL	71191	1½ quarts	E-1	2½ quarts	T-13	C-1
264-6	72042	2 quarts	E-4	36 ounces	T-10	C-1
264-H	72043	2 quarts	E-4	3½ quarts	T-14	C-1
266-H	72083	2 quarts	E-4	3½ quarts	T-14	C-1
312-8	73362	2½ quarts	E-1	2 quarts	T-3	C-1
314-8	73400	2½ quarts	E-1	2 quarts	T-3	C-1
314-H	73401	2½ quarts	E-1	5 quarts	T-4	C-1
416-8	73420	1½ qt (1¾ w/ filter)	E-2	2 quarts	T-3	C-1
416-H	73421	1½ qt (1¾ w/ filter)	E-2	5 quarts	T-4	C-1
520-H	73501	1½ qt (1¾ w/ filter)	E-2	5 quarts	T-4	C-1

ENGINE TEMPERATURE-VISCOSITY CHARTS

Briggs & Stratton-Gasoline

Air Temperature

Above 40°

Below 40°

Oil Viscosity

SAE 30

SAE 5W-30, 10W-30,
Synthetic 5W-20, 5W-30

Briggs & Stratton-Diesel

Air Temperature

Above 32°

Above 0°

Below 50°

Oil Viscosity

SAE 30

SAE 10W-30, 10W-40, 10W-50
SAE 5W-30, Synthetic 5W-30

Kawasaki-Water Cooled

Air Temperature

Above 68°

32° to 90°

-4° to 90°

Below 32°

Oil Viscosity

SAE 40

SAE 30

SAE 10W-30, 10W-40

SAE 5W-20

Kohler-M-Series "L" Head

Air Temperature

Above 32°

Below 32°

0°-32°

Oil Viscosity

SAE 30 (recommended), 10W-30

SAE 5W-20, 5W-30

SAE 10W-30

Kohler-Command OHV

Air Temperature

Above 0°

Below 32°

Oil Viscosity

SAE 10W-30

SAE 5W-20, 5W-30

LUBRICATION RECOMMENDATIONS

Lube Code

All Grease Fittings

C-1--#2 Multi-purpose Lithium Grease
Service Interval 25 hrs

Drive Chain

D-2--Light Machine Oil
Service Interval 25 hrs

Engine Crankcase

E-1--API Service SG, SH, SJ Oil
Service Interval 25 hrs
E-2--API Service SG, SH, SJ Oil
Oil Service Interval 50 hrs
Filter Service Interval 100 hrs
E-3--API Service SG, SH, SJ Oil
Oil Service Interval 25 hrs
Filter Service Interval 50 hrs
E-4--API Service SG, SH, SJ Oil
Oil Service Interval 100 hrs
Filter Service Interval 200 hrs
E-5--API Service SE/CD
Service Interval 100 hrs
Filter Interval 200 hrs

Transmission/Transaxle

T-3--SAE 90-140 API Service GL-5 Gear Oil
No Service Interval
T-4--SAE 10W-30 or 10W-40 API Service SG, SH, SJ
Oil & Filter Service Interval 100 hrs
T-10--Bentonite Grease (Peerless P/N 788067B)
Use EP Lithium Grease to Lube Needle Bearings
No Service Interval
T-11--SAE EP 80W/90 Gear Oil (Peerless P/N 730229A)
No Service Interval
T-12--SAE 30 API Service SG, SH, SJ
No Service Interval

Transmission/Transaxle, cont.

T-13--SAE 20W-50 API Service SH, SJ
Alternate-Synthetic 5W-50
No Service Interval
T-14--SAE 10W-30 API Service CD
Alternate-Synthetic 5W-50
No Service Interval
T-15--SAE 10W-30 or SAE 10W-40
API Service SG, SH, SJ
Oil & Filter Service Interval 100 hrs

1995 Model Year						
Name	Model Number	Engine Oil Capacity	Engine Oil Code	Transmission Capacity	Transmission Lube Code	Chassis Lube Code
8-25	70040	1 quart	E-1	12 ounces	T-10	C-1, D-2
10-32	70080	1½ quarts	E-1	10 ounces	T-10	C-1
12-32	70120	1½ quarts	E-1	10 ounces	T-10	C-1
12-32XL	71182	1½ quarts	E-1	10 ounces	T-10	C-1
12-38XL	71184	1½ quarts	E-1	10 ounces	T-10	C-1
13-38HXL	71191	1½ quarts	E-1	2½ quarts	T-13	C-1
15-44HXL	71192	¾ qt (7/8 w/ filter)	E-2	2½ quarts	T-13	C-1
264-6	72042	2 quarts	E-4	36 ounces	T-10	C-1
264-H	72043	2 quarts	E-4	3½ quarts	T-14	C-1
266-H	72083	2 quarts	E-4	3½ quarts	T-14	C-1
266-H	72084	2 quarts	E-4	3½ quarts	T-14	C-1
312-8	73362	2½ quarts	E-1	2 quarts	T-3	C-1
314-8	73400	2½ quarts	E-1	2 quarts	T-3	C-1
314-H	73401	2½ quarts	E-1	5 quarts	T-4	C-1
416-8	73420	1½ qt (1¾ w/ filter)	E-2	2 quarts	T-3	C-1
416-H	73421	1½ qt (1¾ w/ filter)	E-2	5 quarts	T-4	C-1
520-H	73501	1½ qt (1¾ w/ filter)	E-2	5 quarts	T-4	C-1

ENGINE TEMPERATURE-VISCOSITY CHARTS

Briggs & Stratton-Gasoline

Air Temperature

Above 40°

Below 40°

Oil Viscosity

SAE 30

SAE 5W-30, 10W-30,
Synthetic 5W-20, 5W-30

Briggs & Stratton-Diesel

Air Temperature

Above 32°

Above 0°

Below 50°

Oil Viscosity

SAE 30

SAE 10W-30, 10W-40, 10W-50
SAE 5W-30, Synthetic 5W-30

Kawasaki-Water Cooled

Air Temperature

Above 68°

32° to 90°

-4° to 90°

Below 32°

Oil Viscosity

SAE 40

SAE 30

SAE 10W-30, 10W-40

SAE 5W-20

Kohler-M-Series "L" Head

Air Temperature

Above 32°

Below 32°

0°-32°

Oil Viscosity

SAE 30 (recommended), 10W-30

SAE 5W-20, 5W-30

SAE 10W-30

Kohler-Command OHV

Air Temperature

Above 0°

Below 32°

Oil Viscosity

SAE 10W-30

SAE 5W-20, 5W-30

LUBRICATION RECOMMENDATIONS

Lube Code

All Grease Fittings

C-1--#2 Multi-purpose Lithium Grease
Service Interval 25 hrs

Drive Chain

D-2--Light Machine Oil
Service Interval 25 hrs

Engine Crankcase

E-1--API Service SG, SH, SJ Oil
Service Interval 25 hrs
E-2--API Service SG, SH, SJ Oil
Oil Service Interval 50 hrs
Filter Service Interval 100 hrs
E-3--API Service SG, SH, SJ Oil
Oil Service Interval 25 hrs
Filter Service Interval 50 hrs
E-4--API Service SG, SH, SJ Oil
Oil Service Interval 100 hrs
Filter Service Interval 200 hrs
E-5--API Service SE/CD
Service Interval 100 hrs
Filter Interval 200 hrs

Transmission/Transaxle

T-3--SAE 90-140 API Service GL-5 Gear Oil
No Service Interval
T-4--SAE 10W-30 or 10W-40 API Service SG, SH, SJ
Oil & Filter Service Interval 100 hrs
T-10--Bentonite Grease (Peerless P/N 788067B)
Use EP Lithium Grease to Lube Needle Bearings
No Service Interval
T-11--SAE EP 80W/90 Gear Oil (Peerless P/N 730229A)
No Service Interval
T-12--SAE 30 API Service SG, SH, SJ
No Service Interval

Transmission/Transaxle, cont.

T-13--SAE 20W-50 API Service SH, SJ
Alternate-Synthetic 5W-50
No Service Interval
T-14--SAE 10W-30 API Service CD
Alternate-Synthetic 5W-50
No Service Interval
T-15--SAE 10W-30 or SAE 10W-40
API Service SG, SH, SJ
Oil & Filter Service Interval 100 hrs

1996 Model Year						
Name	Model Number	Engine Oil Capacity	Engine Oil Code	Transmission Capacity	Transmission Lube Code	Chassis Lube Code
8-25	70040	1 quart	E-1	12 ounces	T-10	C-1, D-2
11-32	70081	1½ quarts	E-1	10 ounces	T-10	C-1
13-32	70131	1½ quarts	E-1	10 ounces	T-10	C-1
12-32XL	71188	1½ quarts	E-1	16 ounces	T-11	C-1
13-38XL	71185	1½ quarts	E-1	16 ounces	T-11	C-1
14-38HXL	71193	1½ quarts	E-1	2½ quarts	T-13	C-1
16-44HXL	71196	¾ qt (⅞ w/ filter)	E-2	2½ quarts	T-13	C-1
265-6	72045	2 quarts	E-4	36 ounces	T-10	C-1
265-H	72046	2 quarts	E-4	3½ quarts	T-14	C-1
267-H	72085	2 quarts	E-4	3½ quarts	T-14	C-1
269-H	72102	2 quarts	E-4	3½ quarts	T-14	C-1
312-8	73363	2½ quarts	E-1	2 quarts	T-3	C-1
314-8	73402	2½ quarts	E-1	2 quarts	T-3	C-1
314-H	73403	2½ quarts	E-1	5 quarts	T-4	C-1
416-8	73422	1½ qt (1¼ w/ filter)	E-2	2 quarts	T-3	C-1
416-H	73423	1½ qt (1¼ w/ filter)	E-2	5 quarts	T-4	C-1
520-H	73502	1½ qt (1¼ w/ filter)	E-2	5 quarts	T-4	C-1

ENGINE TEMPERATURE-VISCOSITY CHARTS

Briggs & Stratton-Gasoline

Air Temperature

Above 40°

Below 40°

Oil Viscosity

SAE 30

SAE 5W-30, 10W-30,
Synthetic 5W-20, 5W-30

Briggs & Stratton-Diesel

Air Temperature

Above 32°

Above 0°

Below 50°

Oil Viscosity

SAE 30

SAE 10W-30, 10W-40, 10W-50
SAE 5W-30, Synthetic 5W-30

Kawasaki-Water Cooled

Air Temperature

Above 68°

32° to 90°

-4° to 90°

Below 32°

Oil Viscosity

SAE 40

SAE 30

SAE 10W-30, 10W-40

SAE 5W-20

Kohler-M-Series "L" Head

Air Temperature

Above 32°

Below 32°

0°-32°

Oil Viscosity

SAE 30 (recommended), 10W-30

SAE 5W-20, 5W-30

SAE 10W-30

Kohler-Command OHV

Air Temperature

Above 0°

Below 32°

Oil Viscosity

SAE 10W-30

SAE 5W-20, 5W-30

LUBRICATION RECOMMENDATIONS

Lube Code

All Grease Fittings

C-1--#2 Multi-purpose Lithium Grease
Service Interval 25 hrs

Drive Chain

D-2--Light Machine Oil
Service Interval 25 hrs

Engine Crankcase

E-1--API Service SG, SH, SJ Oil
Service Interval 25 hrs

E-2--API Service SG, SH, SJ Oil
Oil Service Interval 50 hrs
Filter Service Interval 100 hrs

E-3--API Service SG, SH, SJ Oil
Oil Service Interval 25 hrs
Filter Service Interval 50 hrs

E-4--API Service SG, SH, SJ Oil
Oil Service Interval 100 hrs
Filter Service Interval 200 hrs

E-5--API Service SE/CD
Service Interval 100 hrs
Filter Interval 200 hrs

Transmission/Transaxle

T-3--SAE 90-140 API Service GL-5 Gear Oil
No Service Interval

T-4--SAE 10W-30 or 10W-40 API Service SG, SH, SJ
Oil & Filter Service Interval 100 hrs

T-10--Bentonite Grease (Peerless P/N 788067B)
Use EP Lithium Grease to Lube Needle Bearings
No Service Interval

T-11--SAE EP 80W/90 Gear Oil (Peerless P/N 730229A)
No Service Interval

T-12--SAE 30 API Service SG, SH, SJ
No Service Interval

Transmission/Transaxle, cont.

T-13--SAE 20W-50 API Service SH, SJ
Alternate-Synthetic 5W-50
No Service Interval

T-14--SAE 10W-30 API Service CD
Alternate-Synthetic 5W-50
No Service Interval

T-15--SAE 10W-30 or SAE 10W-40
API Service SG, SH, SJ
Oil & Filter Service Interval 100 hrs

1997 Model Year						
Name	Model Number	Engine Oil Capacity	Engine Oil Code	Transmission Capacity	Transmission Lube Code	Chassis Lube Code
8-25	70040	1 quart	E-1	12 ounces	T-10	C-1, D-2
11-32	70081	1½ quarts	E-1	10 ounces	T-10	C-1
13-32	70131	1½ quarts	E-1	10 ounces	T-10	C-1
12-32XL	71188	1½ quarts	E-1	16 ounces	T-11	C-1
13-38XL	71185	1½ quarts	E-1	16 ounces	T-11	C-1
14-38HXL	71193	1½ quarts	E-1	2½ quarts	T-13	C-1
16-44HXL	71196	¾ qt (7/8 w/ filter)	E-2	2½ quarts	T-13	C-1
265-6	72045	2 quarts	E-4	36 ounces	T-10	C-1
265-H	72046	2 quarts	E-4	3½ quarts	T-14	C-1
267-H	72085	2 quarts	E-4	3½ quarts	T-14	C-1
269-H	72102	2 quarts	E-4	3½ quarts	T-14	C-1
312-8	73363	2½ quarts	E-1	2 quarts	T-3	C-1
314-8	73402	2½ quarts	E-1	2 quarts	T-3	C-1
314-H	73403	2½ quarts	E-1	5 quarts	T-4	C-1
416-8	73422	1½ qt (1¾ w/ filter)	E-2	2 quarts	T-3	C-1
416-H	73423	1½ qt (1¾ w/ filter)	E-2	5 quarts	T-4	C-1
520-H	73502	1½ qt (1¾ w/ filter)	E-2	5 quarts	T-4	C-1

ENGINE TEMPERATURE-VISCOSITY CHARTS

Briggs & Stratton-Gasoline

Air Temperature

Above 40°

Below 40°

Oil Viscosity

SAE 30

SAE 5W-30, 10W-30,
Synthetic 5W-20, 5W-30

Briggs & Stratton-Diesel

Air Temperature

Above 32°

Above 0°

Below 50°

Oil Viscosity

SAE 30

SAE 10W-30, 10W-40, 10W-50
SAE 5W-30, Synthetic 5W-30

Kawasaki-Water Cooled

Air Temperature

Above 68°

32° to 90°

-4° to 90°

Below 32°

Oil Viscosity

SAE 40

SAE 30

SAE 10W-30, 10W-40
SAE 5W-20

Kohler-M-Series "L" Head

Air Temperature

Above 32°

Below 32°

0°-32°

Oil Viscosity

SAE 30 (recommended), 10W-30

SAE 5W-20, 5W-30

SAE 10W-30

Kohler-Command OHV

Air Temperature

Above 0°

Below 32°

Oil Viscosity

SAE 10W-30

SAE 5W-20, 5W-30

LUBRICATION RECOMMENDATIONS

Lube Code

All Grease Fittings

C-1--#2 Multi-purpose Lithium Grease
Service Interval 25 hrs

Drive Chain

D-2--Light Machine Oil
Service Interval 25 hrs

Engine Crankcase

E-1--API Service SG, SH, SJ Oil
Service Interval 25 hrs

E-2--API Service SG, SH, SJ Oil
Oil Service Interval 50 hrs
Filter Service Interval 100 hrs

E-3--API Service SG, SH, SJ Oil
Oil Service Interval 25 hrs
Filter Service Interval 50 hrs

E-4--API Service SG, SH, SJ Oil
Oil Service Interval 100 hrs
Filter Service Interval 200 hrs

E-5--API Service SE/CD
Service Interval 100 hrs
Filter Interval 200 hrs

Transmission/Transaxle

T-3--SAE 90-140 API Service GL-5 Gear Oil
No Service Interval

T-4--SAE 10W-30 or 10W-40 API Service SG, SH, SJ
Oil & Filter Service Interval 100 hrs

T-10--Bentonite Grease (Peerless P/N 788067B)
Use EP Lithium Grease to Lube Needle Bearings
No Service Interval

T-11--SAE EP 80W/90 Gear Oil (Peerless P/N 730229A)
No Service Interval

T-12--SAE 30 API Service SG, SH, SJ
No Service Interval

Transmission/Transaxle, cont.

T-13--SAE 20W-50 API Service SH, SJ
Alternate-Synthetic 5W-50
No Service Interval

T-14--SAE 10W-30 API Service CD
Alternate-Synthetic 5W-50
No Service Interval

T-15--SAE 10W-30 or SAE 10W-40
API Service SG, SH, SJ
Oil & Filter Service Interval 100 hrs

1998 Model Year						
Name	Model Number	Engine Oil Capacity	Engine Oil Code	Transmission Capacity	Transmission Lube Code	Chassis Lube Code
8-25	70041	1 quart	E-1	12 ounces	T-10	C-1, D-2
12-32	70082	1½ quarts	E-1	10 ounces	T-10	C-1
12-32XL	71189	1½ quarts	E-1	16 ounces	T-11	C-1
13-38XL	71190	1½ quarts	E-1	16 ounces	T-11	C-1
14-38HXL	71215	1½ quarts	E-1	2½ quarts	T-13	C-1
16-44HXL	71196	¾ qt (7/8 w/ filter)	E-2	2½ quarts	T-13	C-1
265-6	72045	2 quarts	E-4	36 ounces	T-10	C-1
265-H	72046	2 quarts	E-4	3½ quarts	T-14	C-1
267-H	72085	2 quarts	E-4	3½ quarts	T-14	C-1
269-H	72102	2 quarts	E-4	3½ quarts	T-14	C-1
312-8	73428	2 quarts	E-4	2 quarts	T-3	C-1
314-8	73448	2 quarts	E-4	2 quarts	T-3	C-1
518xi	73470	2 quarts	E-4	6 qt (4.5 refill)	T-15	C-1
520xi	73540	2 quarts	E-4	6 qt (4.5 refill)	T-15	C-1
522xi	73560	2 quarts	E-4	7 qt (4.5 refill)	T-15	C-1
520Lxi	73545	1½ qt (1¼ w/ filter)	E-2	7 qt (4.5 refill)	T-15	C-1
523Dxi	73550	3½ quarts	E-5	7 qt (4.5 refill)	T-15	C-1

ENGINE TEMPERATURE-VISCOSITY CHARTS

Briggs & Stratton-Gasoline

Air Temperature

Above 40°

Below 40°

Oil Viscosity

SAE 30

SAE 5W-30, 10W-30,

Synthetic 5W-20, 5W-30

Briggs & Stratton-Diesel

Air Temperature

Above 32°

Above 0°

Below 50°

Oil Viscosity

SAE 30

SAE 10W-30, 10W-40, 10W-50

SAE 5W-30, Synthetic 5W-30

Kawasaki-Water Cooled

Air Temperature

Above 68°

32° to 90°

-4° to 90°

Below 32°

Oil Viscosity

SAE 40

SAE 30

SAE 10W-30, 10W-40

SAE 5W-20

Kohler-M-Series "L" Head

Air Temperature

Above 32°

Below 32°

0°-32°

Oil Viscosity

SAE 30 (recommended), 10W-30

SAE 5W-20, 5W-30

SAE 10W-30

Kohler-Command OHV

Air Temperature

Above 0°

Below 32°

Oil Viscosity

SAE 10W-30

SAE 5W-20, 5W-30

LUBRICATION RECOMMENDATIONS

Lube Code

All Grease Fittings

C-1--#2 Multi-purpose Lithium Grease

Service Interval 25 hrs

Drive Chain

D-2--Light Machine Oil

Service Interval 25 hrs

Engine Crankcase

E-1--API Service SG, SH, SJ Oil

Service Interval 25 hrs

E-2--API Service SG, SH, SJ Oil

Oil Service Interval 50 hrs

Filter Service Interval 100 hrs

E-3--API Service SG, SH, SJ Oil

Oil Service Interval 25 hrs

Filter Service Interval 50 hrs

E-4--API Service SG, SH, SJ Oil

Oil Service Interval 100 hrs

Filter Service Interval 200 hrs

E-5--API Service SE/CD

Service Interval 100 hrs

Filter Interval 200 hrs

Transmission/Transaxle

T-3--SAE 90-140 API Service GL-5 Gear Oil

No Service Interval

T-4--SAE 10W-30 or 10W-40 API Service SG, SH, SJ

Oil & Filter Service Interval 100 hrs

T-10--Bentonite Grease (Peerless P/N 788067B)

Use EP Lithium Grease to Lube Needle Bearings

No Service Interval

T-11--SAE EP 80W/90 Gear Oil (Peerless P/N 730229A)

No Service Interval

T-12--SAE 30 API Service SG, SH, SJ

No Service Interval

Transmission/Transaxle, cont.

T-13--SAE 20W-50 API Service SH, SJ

Alternate-Synthetic 5W-50

No Service Interval

T-14--SAE 10W-30 API Service CD

Alternate-Synthetic 5W-50

No Service Interval

T-15--SAE 10W-30 or SAE 10W-40

API Service SG, SH, SJ

Oil & Filter Service Interval 100 hrs

1999 Model Year						
Name	Model Number	Engine Oil Capacity	Engine Oil Code	Transmission Capacity	Transmission Lube Code	Chassis Lube Code
8-25	70044	1 quart	E-1	12 ounces	T-10	C-1, D-2
12-32	70089	1½ quarts	E-1	10 ounces	T-10	C-1
12-32XL	71199	1½ quarts	E-1	16 ounces	T-11	C-1
14-38XL	71198	1½ quarts	E-1	16 ounces	T-11	C-1
15-38HXL	71221	1½ quarts	E-1	2½ quarts	T-13	C-1
17-44HXL	71197	¾ qt (7/8 w/ filter)	E-2	2½ quarts	T-13	C-1
265-6	72047	2 quarts	E-4	36 ounces	T-10	C-1
265-H	72048	2 quarts	E-4	3½ quarts	T-14	C-1
268-H	72086	2 quarts	E-4	3½ quarts	T-14	C-1
270-H	72106	2 quarts	E-4	3½ quarts	T-14	C-1
312-8	73429	2 quarts	E-4	2 quarts	T-3	C-1
314-8	73449	2 quarts	E-4	2 quarts	T-3	C-1
518xi	73471	2 quarts	E-4	6 qt (4.5 refill)	T-15	C-1
520xi	73542	2 quarts	E-4	6 qt (4.5 refill)	T-15	C-1
522xi	73561	2 quarts	E-4	7 qt (4.5 refill)	T-15	C-1
520Lxi	73547	1½ qt (1¾ w/ filter)	E-2	7 qt (4.5 refill)	T-15	C-1
523Dxi	73552	3½ quarts	E-5	7 qt (4.5 refill)	T-15	C-1

ENGINE TEMPERATURE-VISCOSITY CHARTS

Briggs & Stratton-Gasoline

Air Temperature

Above 40°

Below 40°

Oil Viscosity

SAE 30

SAE 5W-30, 10W-30,
Synthetic 5W-20, 5W-30

Briggs & Stratton-Diesel

Air Temperature

Above 32°

Above 0°

Below 50°

Oil Viscosity

SAE 30

SAE 10W-30, 10W-40, 10W-50

SAE 5W-30, Synthetic 5W-30

Kawasaki-Water Cooled

Air Temperature

Above 68°

32° to 90°

-4° to 90°

Below 32°

Oil Viscosity

SAE 40

SAE 30

SAE 10W-30, 10W-40

SAE 5W-20

Kohler-M-Series "L" Head

Air Temperature

Above 32°

Below 32°

0°-32°

Oil Viscosity

SAE 30 (recommended), 10W-30

SAE 5W-20, 5W-30

SAE 10W-30

Kohler-Command OHV

Air Temperature

Above 0°

Below 32°

Oil Viscosity

SAE 10W-30

SAE 5W-20, 5W-30

LUBRICATION RECOMMENDATIONS

Lube Code

All Grease Fittings

C-1--#2 Multi-purpose Lithium Grease

Service Interval 25 hrs

Drive Chain

D-2--Light Machine Oil

Service Interval 25 hrs

Engine Crankcase

E-1--API Service SG, SH, SJ Oil

Service Interval 25 hrs

E-2--API Service SG, SH, SJ Oil

Oil Service Interval 50 hrs

Filter Service Interval 100 hrs

E-3--API Service SG, SH, SJ Oil

Oil Service Interval 25 hrs

Filter Service Interval 50 hrs

E-4--API Service SG, SH, SJ Oil

Oil Service Interval 100 hrs

Filter Service Interval 200 hrs

E-5--API Service SE/CD

Service Interval 100 hrs

Filter Interval 200 hrs

Transmission/Transaxle

T-3--SAE 90-140 API Service GL-5 Gear Oil

No Service Interval

T-4--SAE 10W-30 or 10W-40 API Service SG, SH, SJ

Oil & Filter Service Interval 100 hrs

T-10--Bentonite Grease (Peerless P/N 788067B)

Use EP Lithium Grease to Lube Needle Bearings

No Service Interval

T-11--SAE EP 80W/90 Gear Oil (Peerless P/N 730229A)

No Service Interval

T-12--SAE 30 API Service SG, SH, SJ

No Service Interval

Transmission/Transaxle. cont.

T-13--SAE 20W-50 API Service SH, SJ

Alternate-Synthetic 5W-50

No Service Interval

T-14--SAE 10W-30 API Service CD

Alternate-Synthetic 5W-50

No Service Interval

T-15--SAE 10W-30 or SAE 10W-40

API Service SG, SH, SJ

Oil & Filter Service Interval 100 hrs

WHEEL HORSE TRACTOR DRIVE BELT USAGE CHART 1956 THRU 1969

YEAR	TRACTOR AND MODEL NUMBER	BELT NUMBER																			
		1552	1553	1556	1564	1567	1569	1592	7473	7478	7927	8005	8133	8334	8911	9691	9714	101137	101142	103522	
1969	1-7441													X							
	1-7041, 1-7241, 1-7245										X										
	1-6041, 1-6241									X											
	1-4741, 1-4841, 1-7741													X							
	1-7841													X							
	1-3741, 1-3745																X				
	1-8741, 1-8745															X					
1968	1-7931, 1-7932, 1-7231, 1-7235																				
	1-6931, 1-6231																				
	1-2631, 1-1631, 1-4631																			X	
	1-4831																			X	
1967	1077, 1277																				
	877																				
	1057, 1067, 1257, 1267																				X
	L-107, L-157, 607, 657, 857, 867																				X
1966	1076, 1276																				
	1056																				X
	876																				
	L-106, L-156, 606, 656, 856																				X
1965	1054A																				
	875, 1075																				
	L-105, L-155, 605, 655																				X
	855, 1045, 1055																				X
1964	1054																				
	34R, 34E, 604, 654, 704																				X
	854																				X
1963	953																				
	33R, 33E, 603, 633, 653, 753																				X
1962	32R, 32E, 502, 552, 702																				X
1961	701																				X
	401, 551																				
1960	ST-400, ST-550																				
1958 & 1959	RJ-58, RJ-59																				
1956 & 1957	RJ-35																				
	Drive — Jackshaft 7" Pulley	X				X															
	Drive — Jackshaft 6½" Pulley																				
	Drive — Jackshaft 6" Pulley																				

Kohler Engine Generator Drive Belt: 6, 7, 8 H.P. - 1583; 10, 12 H.P. - 1593
Hydraulic Lift Drive Belt Models 953, 1054, 1054A - 1591

**WHEEL HORSE TRACTOR
DRIVE BELT USAGE CHART 1977 THRU 1981**

YEAR	TRACTOR MODEL NUMBER	BELT NUMBER															
		7473	7478	9430	103322	104290	106496	106518	107120	107769	107939	108427	108501	108502	225282	517433	517440
1981	01-17KE01													X			
	01-17K802										X						
	01-16KE02, 01-14KE02, 01-12KE02											X					
	01-16K802, 01-14K802, 01-12K802	X															
	01-11B804, 01-10K802, 01-08K802	X															
	01-14E801								X								
	02-16BP02, 03; 02-11BP03, 04												X				
	02-11BX02, 03; 02-08BP02, 03							X									
	03-11BP02, 03-08BP02, 03-05BP02			X													
03-08EP01					X												
1980	01-17KS02							X									
	01-17KE01													X			
	01-17K802										X						
	01-16KS01, 01-14KS01, 01-12KS01		X														
	01-16KE01, 01-14KE01, 01-12KE01												X				
	01-16K801, 01-14K801, 01-12K801	X															
	01-11B803; 01-10K801; 01-08K801, 02	X															
	01-14E801								X								
	02-16BP01, 02-11BP02												X				
	02-11BX01, 02-08BP01							X									
	03-11BP01, 03-08BP01, 03-08XP01, 03-05BP01			X													
03-08EP01					X												
1979	91-16BS01, 02							X									
	91-16B801, 02										X						
	91-16KS01, 91-14KS01, 91-12KS01		X														
	91-16K801; 91-14K801, 02; 91-12K801, 02	X															
	91-10K801, 02; 91-08K801, 02	X															
	92-11BP01							X									
	92-11BF01, 92-08BF01									X							
	93-11BP01; 93-08BP01, 02; 93-08XP02; 93-05BP01, 02			X													
1978	81-16BS01							X									
	81-16B801										X						
	81-16KS01, 81-14KS01, 81-12KS01		X														
	81-16K801, 81-14K801, 81-12K801	X															
	81-10K801, 81-08K801	X															
	82-11BP01, 82-08BP01							X									
1977	1-0700																X
	71-16KS01, 02; 71-12KS01, 02		X														
	71-16K801, 02; 71-12K801	X															
	1-0720																X
	71-10K801, 71-08K801	X															
	72-10BP01, 72-08BP01				X												
	3-6000																X
	3-5002						X										
73-05BF01														X			

WHEEL HOE TRACTOR DRIVE BELT USAGE CHART 1982 THRU 1984

YEAR	TRACTOR VIN	BELT NUMBER													
		7473	9430	104290	106518	107120	107939	108427	108501	108502	109427	109428	109746		
1982	01-19KE01													X	
	01-17KE02									X					
	01-17K803						X								
	01-14KE03								X						
	01-12K803, 01-10K803, 01-08K803	X													
	01-16KH01, 01-11BH01	X													
	01-14E801					X									
	02-16BE01											X			
	02-16BP04, 02-11BP05, 02-08BX01								X						
	02-11BE01												X		
	02-11BH01				X										
	03-08EP01			X											
	23-05BP01, 23-08BP01, 23-11BP01, 23-11BX01		X												
	A1-184801									X					
	A1-164201							X							
	A1-114201	X													
	A2-164201, A2-163701, A2-113701								X						
	A2-083201				X										
A3-053201, A3-083201		X													
1983	01-19KE01													X	
	01-17KE03									X					
	01-14KE04								X						
	01-14E801					X									
	11-17K801						X								
	11-12K801, 11-10K801, 11-08K801	X													
	02-08BX01, 12-16BP01, 12-11BP01								X						
	12-16BE01											X			
	12-11BE01												X		
	03-08EP01			X											
	03-08BP03, 23-08BP02, 23-08BX01, 23-11BP02		X												
	A1-164202							X							
	A1-114202	X													
	D1-184801										X				
	A2-083202, D2-163701, D2-113701, D2-113601				X										
	1984	01-19KE02													X
		11-17KE01									X				
		11-14KE01									X				
11-16K801, 11-12K802, 11-10K802		X													
12-16BE02													X		
12-11BP02									X						
23-11BP03, 23-08BP03, 23-08BX01			X												
A1-18BE01											X				
A1-16B801								X							
A1-11B801		X													
A2-16BP01, A2-11BP01									X						
A2-11BX01									X						

TORO WHEELHORSE TRACTOR DRIVE BELT USAGE 1989 THRU 1992

YEAR	MODEL NAME	VIN/MODEL#	DRIVE BELT	YEAR	MODEL NAME	VIN/MODEL#	DRIVE BELT
1989	208-4	42-08B401	114860	1990	8-25	56128	67-0900
	211-5	42-11B501	114860		8-25R	56123	67-0900
	211-4	32-11B403	114860		8-32	56145	47-1410
	212-5	32-12B501	114860		10-32	56165	47-1410
	212-H	32-12BE01	114433		12-32	56175	47-1410
	252-H	22-13KE02	109428		1200-HMR	55600	68-0080 [2]
	257-H	22-17KE02	109428		1600-HMR	55620	68-0080 [2]
	310-8	21-10K806	7473		210-5	32-10B501	114860
	312-8	21-12K806	7473		210-H	32-10BE01	114433
	314-8	31-14K804	7473		212-5	32-12O501	114860
	416-8	31-16O801	107939		212-H	32-12OE01	114433
	518-H	31-18OE02	114895		216-H	32-16BE01	114433
	520-H	31-20OE02	114895		310-8	31-10K801	7473
	520-HC	C1-20OE02	114895		312-8	31-12K801	7473
	616-Z	Y1-16OE01	116527		312-H	31-12KE01	108501
					416-8	31-16O802	107939
					416-H	41-16OE01	114895
			520-H	41-20OE01	114895		
			520-8	41-20O801	107939		
1991	8-25	56132	67-0900	1992	8-25	56132	67-0900
	8-32	56185	47-1410		8-32	56185	47-1410
	10-32	56190	47-1410		10-32	56190	47-1410
	12-32	56195	47-1410		12-32	56195	47-1410
	210-5	32-10B502	114860		210-5	32-10B503	114860
	210-H	32-10BE02	114433		210-H	32-10BE03	114433
	212-5	32-12O502	114860		212-5	32-12O503	114860
	212-H	32-12OE02	114433		212-H	32-12OE03	114433
	244-5	22-14O501	111435		244-5	22-14O02	111435
	244-H	22-14OE01	114860		244-H	22-14OE02	114860
	310-8	31-10K802	7473		246-H	42-16BE01	114860
	312-8	31-12K802	7473		310-8	31-10K803	7473
	312-H	51-12KE01	108501		312-8	31-12K804	7473
	416-8	31-16O803	107939		312-H	51-12KE02	108501
	416H	51-16OE01	114895		416-8	31-16O804	107939
520-H	41-20OE02	114895	416-H	51-16OE02	114895		
			520-H	41-20OE03	114895		

TORO WHEELHORSE TRACTOR DRIVE BELT USAGE 1993 THRU 1996

YEAR	MODEL NAME	VIN/MODEL#	DRIVE BELT	YEAR	MODEL NAME	VIN/MODEL#	DRIVE BELT
1993	8-25	70040	67-0900	1994	8-25	70040	67-0900
	8-32	70042	92-0870		10-32	70080	92-0870
	10-32	70080	92-0870		12-32	70120	92-0870
	12-32	70120	92-0870		12-32XL	71182	88-6270
	10-32XL	71140	88-6270		12-38XL	71184	88-6240
	12-38XL	71180	88-6240		13-38HXL	71191	88-6280
	12-38HXL	71181	88-6280		264-6	72042	92-6719
	244-5	72040	111435		264-H	72043	92-6718
	244-H	72041	114860		266-H	72083	92-6718
	246-H	72081	114860		312-8	73362	7473
	310-8	73320	7473		314-8	73400	7473
	314-8	73400	7473		314-H	73401	108501
	314-H	73401	108501		416-8	73420	107939
	416-8	73420	107939		416-H	73421	114895
	416-H	73421	114895		520-H	73501	114895
	520-H	73501	114895				
	1995	8-25	70040		67-0900	1996	8-25
10-32		70080	92-0870	11-32	70081		92-0870
12-32		70120	92-0870	13-32	70131		92-0870
12-32XL		71182	88-6270	12-32XL	71188		94-4291
12-38XL		71184	88-6240	13-38XL	71185		88-6270
13-38HXL		71191	88-6280	14-38HXL	71193		88-6280
15-44HXL		71192	93-3883	16-44HXL	71196		93-3883
264-6		72042	92-6719	265-6	72045		92-6719
264-H		72043	92-6718	265-H	72046		92-6718
266-H		72083	92-6718	267-H	72085		92-6718
266-H		72084	92-6718	269-H	72102		92-6718
312-8		73362	7473	312-8	73363		93-9808
314-8		73400	7473	314-8	73402		93-9808
314-H		73401	108501	314-H	73403		108501
416-8		73420	107939	416-8	73422		93-9809
416-H		73421	114895	416-H	73423		114895
520-H		73501	114895	520-H	73502		114895

TORO WHEELHORSE TRACTOR DRIVE BELT USAGE 1997 THRU 1999

YEAR	MODEL NAME	VIN/MODEL#	DRIVE BELT	YEAR	MODEL NAME	VIN/MODEL#	DRIVE BELT
1997	8-25	70040	67-0900	1998	8-25	70041	67-0900
	11-32	70081	92-0870		12-32	70082	92-0870
	13-32	70131	92-0870		12-32XL	71189	94-4291
	12-32XL	71188	94-4291		13-38XL	71190	88-6270
	13-38XL	71185	88-6270		14-38HXL	71215	88-6280
	14-38HXL	71193	88-6280		16-44HXL	71196	93-3883
	16-44HXL	71196	93-3883		265-6	72045	92-6719
	265-6	72045	92-6719		265-H	72046	92-6718
	265-H	72046	92-6718		267-H	72085	92-6718
	267-H	72085	92-6718		269-H	72102	92-6718
	269-H	72102	92-6718		312-8	73428	93-9808
	312-8	73363	93-9808		314-8	73448	93-9808
	314-8	73402	93-9808				
	314-H	73403	108501				
	416-8	73422	93-9809				
	416-H	73423	114895				
	520-H	73502	114895				
1999	8-25	70044	67-0900				
	12-32	70089	92-0870				
	12-32XL	71199	94-4291				
	14-38XL	71198	88-6270				
	15-38HXL	71221	88-6280				
	17-44HXL	71197	93-3883				
	265-6	72047	92-6719				
	265-H	72048	92-6718				
	268-H	72086	92-6718				
	270-H	72106	92-6718				
	312-8	73429	93-9808				
	314-8	73449	93-9808				

MOWER BLADE USAGE CHART

Year	Description	Model	Blade Kit # 100202	Blade Kit # 100201	Blade Kit # 100200	Blade Kit # 8969	Blade Kit # 101335	Blade Kit # 9819	Blade Kit # 101093	Blade Kit # 101522	Blade Kit # 8014	Blade Kit # 8777	Blade Kit # 100355	Blade Tip Kit # 6005	Blade Kit # 101671	Blade Kit # 101682
1958/1960	32" ROTARY MOWER	RJ-58/RMR-32												X		
1961	32" ROTARY MOWER	RMR-3261										X				
	36" ROTARY MOWER	RMR-3661								X						
1962	LAWN RANGER	32-R											X			
	LAWN RANGER	32-E											X			
	32" ROTARY MOWER	RMR-3262											X			
	36" ROTARY MOWER	RMR-3662									X					
1963	LAWN RANGER	33-R												X		
	LAWN RANGER	33-E												X		
	32" ROTARY MOWER	RM-323												X		
	36" ROTARY MOWER	RM-363										X				
	48" ROTARY MOWER	RM-483	X													
1964	LAWN RANGER	34-R													X	
	LAWN RANGER	34-E													X	
	32" ROTARY MOWER	RM-324													X	
	36" ROTARY MOWER	RM-364										X				
	48" ROTARY MOWER	RM-484	X													
1965	LAWN RANGER	L-105													X	
	LAWN RANGER	L-155													X	
	32" ROTARY MOWER	RM-324													X	
	36" ROTARY MOWER	RM-364										X				
	42" ROTARY MOWER	RM-425				X										
	48" ROTARY MOWER	RM-485	X													
1966	LAWN RANGER	L-106													X	
	LAWN RANGER	L-156													X	
	32" ROTARY MOWER	RM-326													X	
	36" ROTARY MOWER	RM-366										X				
	36" ROTARY MOWER	RL-366										X				
	42" ROTARY MOWER	RL-426				X										
	48" ROTARY MOWER	RL-486	X													
1967	LAWN RANGER	L-107													X	
	LAWN RANGER	L-157													X	
	32" ROTARY MOWER	RM-327													X	
	36" ROTARY MOWER	RM-367											X			
	36" ROTARY MOWER	RL-367										X				
	42" ROTARY MOWER	RL-426				X										
	48" ROTARY MOWER	RL-486	X													
1968	LAWN RANGER	1-1631													X	
	LAWN RANGER	1-2631													X	
	32" ROTARY MOWER	5-2321													X	

MOWER BLADE USAGE CHART

Year	Description	Model	Blade Kit # 100202	Blade Kit # 100201	Blade Kit # 100200	Blade Kit # 8969	Blade Kit # 101335	Blade Kit # 9819	Blade Kit # 101093	Blade Kit # 101522	Blade Kit # 8014	Blade Kit # 8777	Blade Kit # 100355	Blade Tip Kit # 6005	Blade Kit # 101671	Blade Kit # 101682	
1973	RANGER "700"	2-0220											X				
	RANGER "800"	2-0230											X				
	36" REAR DISCHARGE MOWER	5-0621				X											
	36" REAR DISCHARGE MOWER	5-0611						X									
	36" SIDE DISCHARGE MOWER	5-0702							X								
	36" SIDE DISCHARGE MOWER	5-0721						X									
	60" REAR DISCHARGE MOWER	5-0900															X
	42" SIDE DISCHARGE MOWER	5-1010			X												
	48" SIDE DISCHARGE MOWER	5-1202	X														
	48" SIDE DISCHARGE MOWER	5-1210	X														
48" SIDE DISCHARGE MOWER	5-1220	X															
1974	A-800 RANGER	1-0280														X	
	A-800 RANGER	1-0285														X	
	A-90 SPECIAL	2-4300				X											
	36" REAR DISCHARGE MOWER	5-0621				X											
	36" SIDE DISCHARGE MOWER	5-0721						X									
	42" SIDE DISCHARGE MOWER	5-1010			X												
	48" SIDE DISCHARGE MOWER	5-1210	X														
	48" SIDE DISCHARGE MOWER	5-1220	X														
	60" REAR MOUNT MOWER	5-0900															X
1975	A-80 (E) 4-SPEED	1-0281, 2														X	
	A-80 (R) 4-SPEED	1-0286, 7														X	
	36" REAR DISCHARGE MOWER	5-0622				X											
	36" SIDE DISCHARGE MOWER	5-0722						X									
	42" SIDE DISCHARGE MOWER	5-1011			X												
	42" SIDE DISCHARGE MOWER	5-1012			X												
	48" SIDE DISCHARGE MOWER	5-1211	X														
	48" SIDE DISCHARGE MOWER	5-1221	X														
60" REAR MOUNT MOWER	5-0900															X	
1976	36" REAR DISCHARGE MOWER	65-36MR02, 03							X								
	36" REAR DISCHARGE MOWER	65-36XR01				X											
	36" SIDE DISCHARGE MOWER	65-36XS02, 03							X								
	36" SIDE DISCHARGE MOWER	65-36MS01							X								
	42" SIDE DISCHARGE MOWER	65-42MS01			X												
	48" SIDE DISCHARGE MOWER	65-48MS01	X														
	48" SIDE DISCHARGE MOWER	65-48XS01	X														
	60" REAR MOUNT MOWER	5-0900															X
60" SIDE DISCHARGE MOWER 65-60XS01, 02 — Blade Kit Not Available; Order Blade # 105605 (3 Req'd).																	

MOWER BLADE USAGE CHART

Year	Description	Model	Blade Kit # 8969	Blade Kit # 100200	Blade Kit # 100202	Blade Kit # 101335	Blade Kit # 101672	Blade Kit # 106162	Blade Kit # 106163	Blade Kit # 107982	Blade Kit # 107983	Blade Kit # 106586	Blade Kit # 105605	Blade Kit # 106635	Blade Kit # 106636	Blade Kit # 106637	
1977	36" REAR DISCHARGE MOWER	75-36MR01, 02				X											
	36" REAR DISCHARGE MOWER	75-36XR01, 02	X														
	36" SIDE DISCHARGE MOWER	75-36MS01, 02				X											
	36" SIDE DISCHARGE MOWER	75-36XS01, 02				X											
	42" REAR DISCHARGE MOWER	75-42MR01										X					
	42" REAR DISCHARGE MOWER	75-42MR02												X			
	42" SIDE DISCHARGE MOWER	75-42MS01		X													
	42" SIDE DISCHARGE MOWER	75-42MS02														X	
	48" SIDE DISCHARGE MOWER	75-48MS01			X												
	48" SIDE DISCHARGE MOWER	75-48MS02															X
	48" SIDE DISCHARGE MOWER	75-48XS01			X												X
	48" SIDE DISCHARGE MOWER	75-48XS02															X
60" SIDE DISCHARGE MOWER	65-60XS02												X ⁽¹⁾				
1978	36" REAR DISCHARGE MOWER	85-36MR01	X														
	36" REAR DISCHARGE MOWER	85-36XR01					X										
	36" SIDE DISCHARGE MOWER	85-36MS01					X										
	36" SIDE DISCHARGE MOWER	85-36XS01					X										
	42" REAR DISCHARGE MOWER	85-42MR01												X			
	42" REAR DISCHARGE MOWER	85-42XR01												X			
	42" SIDE DISCHARGE MOWER	85-42MS01													X		
	48" SIDE DISCHARGE MOWER	85-48MS01															X
	48" SIDE DISCHARGE MOWER	85-48XS01															X
	60" SIDE DISCHARGE MOWER	85-60XS01												X ⁽¹⁾			
1979	32" SIDE DISCHARGE MOWER	95-32ES01					X										
	32" SIDE DISCHARGE MOWER	95-32MS01							X								
	32" SIDE DISCHARGE MOWER	95-32XS01 (2)															
	36" REAR DISCHARGE MOWER	95-36MR00	X														
	36" REAR DISCHARGE MOWER	95-36MR01									X						
	36" REAR DISCHARGE MOWER	95-36YR01	X														
	36" REAR DISCHARGE MOWER	95-36YR02									X						
	36" REAR DISCHARGE MOWER	95-36XR00					X										
	36" REAR DISCHARGE MOWER	95-36XR01											X				
	36" SIDE DISCHARGE MOWER	95-36MS00															
	36" SIDE DISCHARGE MOWER	95-36MS01												X			
	36" SIDE DISCHARGE MOWER	95-36XS00															
	36" SIDE DISCHARGE MOWER	95-36XS01															
	42" REAR DISCHARGE MOWER	95-42ER01								X							
	42" REAR DISCHARGE MOWER	95-42MR01, 02															X
	42" REAR DISCHARGE MOWER	95-42XR01, 02															X
	42" SIDE DISCHARGE MOWER	95-42MS00, 01															X
48" SIDE DISCHARGE MOWER	95-48MS00, 01															X	
48" SIDE DISCHARGE MOWER	95-48XS00, 01															X	
60" SIDE DISCHARGE MOWER	95-60XS01												X ⁽¹⁾				

(1) Three Used per Mower.

(2) Blade Kit #108040 Contains 2 Standard Blades. When Mower is used with Rear Grass Bagger, RH Blade is replaced with #108684 High-Lift Blade; LH Blade with #109106 High-Lift Blade. Replacement Lift Tab Kit for RH Blade is #108006.

MOWER BLADE USAGE CHART

Year	Description	Model	Blade Kit #101672	Blade Kit #106162	Blade Kit #106163	Blade Kit #107982	Blade Kit #107983	Blade Kit #105605	Blade Kit #106635	Blade Kit #106636	Blade Kit #106637
1980	32" SIDE DISCHARGE MOWER	05-32ES01	X								
	32" SIDE DISCHARGE MOWER	05-32MS01			X						
	32" SIDE DISCHARGE MOWER	05-32XS01 (2)									
	36" REAR DISCHARGE MOWER	05-36MR01				X					
	36" REAR DISCHARGE MOWER	05-36XR01					X				
	36" REAR DISCHARGE MOWER	05-36YR01				X					
	36" SIDE DISCHARGE MOWER	05-36MS01					X				
	36" SIDE DISCHARGE MOWER	05-36XS01					X				
	42" REAR DISCHARGE MOWER	05-42ER01		X							
	42" REAR DISCHARGE MOWER	05-42MR01							X		
	42" REAR DISCHARGE MOWER	05-42XR01							X		
	42" SIDE DISCHARGE MOWER	05-42MS01								X	
	48" SIDE DISCHARGE MOWER	05-48MS01									X
	48" SIDE DISCHARGE MOWER	05-48XS01									X
60" SIDE DISCHARGE MOWER	95-60XS01							X(1)			
1981	32" SIDE DISCHARGE MOWER	05-32ES01	X								
	32" SIDE DISCHARGE MOWER	05-32MS01			X						
	32" SIDE DISCHARGE MOWER	05-32XS02 (2)									
	32" SIDE DISCHARGE MOWER	05-32YS01 (2)									
	36" REAR DISCHARGE MOWER	05-36MR01				X					
	36" REAR DISCHARGE MOWER	05-36XR01					X				
	36" REAR DISCHARGE MOWER	05-36YR01				X					
	36" SIDE DISCHARGE MOWER	05-36MS01					X				
	36" SIDE DISCHARGE MOWER	05-36XS01					X				
	37" SIDE DISCHARGE MOWER	05-37MS01 (3)									
	42" REAR DISCHARGE MOWER	05-42ER01		X							
	42" REAR DISCHARGE MOWER	05-42MR01							X		
	42" REAR DISCHARGE MOWER	05-42XR01							X		
	42" SIDE DISCHARGE MOWER	05-42MS02								X	
	48" SIDE DISCHARGE MOWER	05-48MS02									X
	48" SIDE DISCHARGE MOWER	05-48XS02									X
60" SIDE DISCHARGE MOWER	95-60XS01							X(1)			

(1) Three Used per Mower.

(2) Blade Kit #108040 contains 2 Standard Blades. When Mower is used with Rear Grass Bagger, RH Blade is replaced with #108684 High-Lift Blade; LH Blade with #109106 High-Lift Blade. Replacement Lift Tab Kit for RH Blade is #108006.

(3) Blade Kit #108004 contains 2 Standard Blades. When Mower is used with Rear Grass Bagger, RH Blade is replaced with #108846 High-Lift Blade. Replacement Lift Tab Kit for this Blade is #105194.

MOWER BLADE USAGE CHART

YEAR	DESCRIPTION	Model	Blade Kit #101672	Blade Kit #106162	Blade Kit #106163	Blade Kit #107982	Blade Kit #107983	Blade Kit #106635	Blade Kit #106636	Blade Kit #106637	Blade Kit #109077
1982	A-51 32" SIDE DISCHARGE	23-05BP01			X						
	A-81, A-111 32" SIDE DISCHARGE	23-08BP01, 11BP01 (1)									
	A-111 36" REAR DISCHARGE	23-11BX01				X					
	RR-532 32" SIDE DISCHARGE	A3-053201			X						
	RR-832 32" SIDE DISCHARGE	A3-083201 (1)									
	32" SIDE DISCHARGE	05-32ES01		X							
	32" SIDE DISCHARGE	05-32YS01 (1)									
	36" REAR DISCHARGE	05-36MR01				X					
	36" REAR DISCHARGE	05-36XR01					X				
	36" SIDE DISCHARGE	05-36MS01					X				
	37" SIDE DISCHARGE	05-37MS01 (2)									
	42" REAR DISCHARGE	05-42ER01			X						
	42" REAR DISCHARGE	05-42MR01						X			
	42" REAR DISCHARGE	05-42XR02						X			
	42" SIDE DISCHARGE	05-42MS02							X		
	42" SIDE DISCHARGE	05-42SB01							X		
	48" SIDE DISCHARGE	05-48MS02								X	
	48" SIDE DISCHARGE	05-48SY01								X	
48" SIDE DISCHARGE	05-48XS02								X		
60" SIDE DISCHARGE	05-60SC01									X	
1983	A-81, A-111 32" SIDE DISCHARGE	23-08BP02, 11BP02 (1)									
	A-81 36" REAR DISCHARGE	23-08BX01					X				
	32" SIDE DISCHARGE	A5-32SB02 (1)									
	32" SIDE DISCHARGE	05-32ES01		X							
	32" SIDE DISCHARGE	05-32XS02 (1)									
	32" SIDE DISCHARGE	05-32YS01 (1)									
	36" REAR DISCHARGE	05-36MR02					X				
	36" REAR DISCHARGE	A5/05-36XR02					X				
	36" REAR DISCHARGE	05-36YR01					X				
	36" SIDE DISCHARGE	05-36MS02					X				
	37" SIDE DISCHARGE	A5/05-37MS02 (2)									
	42" REAR DISCHARGE	05-42ER01			X						
	42" REAR DISCHARGE	05-42MR01						X			
	42" REAR DISCHARGE	05-42XR02						X			
	42" SIDE DISCHARGE	A5/05-42MS02							X		
	42" SIDE DISCHARGE	05-42SB01							X		
	48" SIDE DISCHARGE	A5/05-48MS02								X	
	48" SIDE DISCHARGE	05-48SY01								X	
60" SIDE DISCHARGE	05-60SC01									X	
1984	A-81, A-111 32" SIDE DISCHARGE	23-08BP03, 11BP03 (3)									
	32" SIDE DISCHARGE	05-32SB03 (3) (5)									
	36" REAR DISCHARGE	05-36MR02					X				
	36" REAR DISCHARGE	05-36XR02					X				
	37" SIDE DISCHARGE	05-37MS03 (4) (6)									
	42" REAR DISCHARGE	05-42MR02						X			
	42" REAR DISCHARGE	05-42XR03						X			
	42" SIDE DISCHARGE	05-42MS03							X		
	42" SIDE DISCHARGE	05-42SB02							X		
	48" SIDE DISCHARGE	05-48MS03								X	
	48" SIDE DISCHARGE	05-48SY02								X	
	60" SIDE DISCHARGE	05-60SC01									X

(1) Blade Kit #108040 contains 2 Standard Blades. When Mower is used with Rear Grass Bagger, RH Blade is replaced with #108684 High-Lift Blade; LH Blade with #109106 High-Lift Blade. Replacement Lift Tab Kit for RH Blade is #108006.

(3) Blade Kit #109078 contains 2 Standard Blades. When Mower is used with Rear Grass Bagger, RH Blade is replaced with #108684 High-Lift Blade & #109916 Spacer/Bushing "DD" to 3/4" Round; LH Blade with #109106 High-Lift Blade & #109916 Spacer/Bushing. Replacement Lift Tab Kit for RH Blade is #108006.

(4) Blade Kit #112397 contains LH Blade & RH Blade w/Lift Tab Kit.

(2) Blade Kit #108004 contains 2 Standard Blades. When Mower is used with Rear Grass Bagger, RH Blade is replaced with #108846 High-Lift Blade. Replacement Lift Tab Kit for this Blade is #103194.

(4) Blade Kit #109079 contains 2 Standard Blades. When Mower is used with Rear Grass Bagger, RH Blade is replaced with #108846 High-Lift Blade & #109916 Spacer/Bushing ("DD" to 3/4" Round). Replacement Lift Tab Kit for this Blade is #103194.

(6) Bagger Kit #112398 contains LH Blade & RH Blade w/Lift Tab Kit.

MOWER BLADE USAGE CHART

Year	Description	Model	Blade One 112560	Blade One 113579	Blade Kit #107983	Blade Kit #106635	Blade Kit #106636	Blade Kit #106637	Blade Kit #109078	Blade Kit #109079
1985	30" SIDE DISCHARGE	A-85 & A-115	X (1)							
	30" SIDE DISCHARGE	100-SERIES	X (1)							
	32" SIDE DISCHARGE	05-32SB05							X (2) (4)	
	36" REAR DISCHARGE	05-36XR04			X					
	37" SIDE DISCHARGE	05-37MS05								X (3) (5)
	42" SIDE DISCHARGE	05-42SB04					X			
	42" REAR DISCHARGE	05-42XR05				X				
	36" REAR DISCHARGE	05-36MR03			X					
	42" REAR DISCHARGE	05-42MR03				X				
	42" SIDE DISCHARGE	05-42MS04					X			
	48" SIDE DISCHARGE	05-48MS04						X		
50" SIDE DISCHARGE (5018)	STD 08-18BE01		X							
1986	30" SIDE DISCHARGE	100-SERIES	X (1)							
	32" SIDE DISCHARGE	05-32SB06							X (2) (4)	
	36" REAR DISCHARGE	05-36XR05			X					
	36" SIDE DISCHARGE	05-36RL01			X					
	37" SIDE DISCHARGE	05-37MS06								X (3) (5)
	37" SIDE DISCHARGE	05-37SL01								X (3) (5)
	37" SIDE DISCHARGE	05-37SC01								X (3) (5)
	42" SIDE DISCHARGE	05-42SB05					X			
	42" REAR DISCHARGE	05-42XR06				X				
	36" REAR DISCHARGE	05-36MR04			X					
	37" SIDE DISCHARGE	05-37SC01								X
	42" REAR DISCHARGE	05-42MR04				X				
	42" SIDE DISCHARGE	05-42MS05					X			
	48" SIDE DISCHARGE	05-48MS05						X		
50" SIDE DISCHARGE (718-Z)	STD 81-18KE01		X							

(1) When mower is used with Rear Grass Bagger, install Lift Tab Kit #110974 and mower Ring Plates.

(3) Blade Kit #109079 contains 2 Standard Blades. When Mower is used with Rear Grass Bagger, RH Blade is replaced with #115083 High-Lift Blade. Replacement Lift Tab Kit for this Blade is #105194.

(5) Bagger Kit #115084 contains LH Blade and RH Blade with Lift Tab Kit.

(2) Blade Kit #109078 contains 2 Standard Blades. When Mower is used with Rear Grass Bagger, RH Blade is replaced with #108684 High-Lift Blade and LH Blade with #109106 High-Lift Blade. Replacement Lift Tab Kit for RH Blade is #108006.

(4) Bagger Kit #112397 contains LH Blade and RH Blade with Lift Tab Kit.

MOWER BLADE USAGE CHART

Model	Description	Year	Blade (One) 112560	Blade (One) #113579	Blade Kit #107983	Blade Kit #106635	Blade Kit #106636	Blade Kit #106637	Blade Kit #109079	Blade (One) #112947
1987	30" SIDE DISCHARGE	STD 100-SERIES	X (1)							
	30" SIDE DISCHARGE	STD 32-08B501	X (1)							
	36" SIDE DISCHARGE	05-36MR04			X					
	36" SIDE DISCHARGE	35-36RL01			X					
	37" SIDE DISCHARGE	05-37MS06							X (3) (5)	
	37" SIDE DISCHARGE	05-37SC01							X (3) (5)	
	37" SIDE DISCHARGE	35-37SL01							X (3) (5)	
	42" REAR DISCHARGE	05-42MR04				X				
	42" SIDE DISCHARGE	05-42MS05					X			
	48" SIDE DISCHARGE	05-48MS05						X		
	48" SIDE DISCHARGE	05-48SC01						X		
	50" SIDE DISCHARGE	STD Z1-18KE02			X					
60" SIDE DISCHARGE	STD Z1-20KE01								X	
1988	30" SIDE DISCHARGE	STD 100-SERIES	X (1)							
	36" REAR DISCHARGE	05-36MR04			X					
	36" REAR DISCHARGE	35-36RL01			X					
	37" SIDE DISCHARGE	05-37SC01							X (3) (5)	
	37" SIDE DISCHARGE	35-37SL01							X (3) (5)	
	37" SIDE DISCHARGE	05-37SK01							X (3) (5)	
	42" REAR DISCHARGE	05-42MR04				X				
	42" SIDE DISCHARGE	05-42MS05					X			
	42" REAR DISCHARGE	05-42RK01				X				
	42" SIDE DISCHARGE	05-42SK01					X			
	48" SIDE DISCHARGE	05-48MS05						X		
	48" SIDE DISCHARGE	05-48SC01						X		
	50" SIDE DISCHARGE	C5-50ZS01			X					
	60" SIDE DISCHARGE	C5-60SC01								X (6)
60" SIDE DISCHARGE	C5-60ZS01								X (6)	

(1) When mower is used with Rear Grass Bagger, install Lift Tab Kit #110974 and mower Ring Plates.

(3) Blade Kit #109079 contains 2 Standard Blades. When Mower is used with Rear Grass Bagger, RH Blade is replaced with #115083 High-Lift Blade. Replacement Lift Tab Kit for this Blade is #105194.

(5) Bagger Kit #115084 contains LH Blade and RH Blade with Lift Tab Kit.

(6) Wet Grass Blade #78-2480 (one).

(2) Blade Kit #109078 contains 2 Standard Blades. When Mower is used with Rear Grass Bagger, RH Blade is replaced with #108684 High-Lift Blade and LH Blade with #109106 High-Lift Blade. Replacement Lift Tab Kit for RH Blade is #108006.

(4) Bagger Kit #112397 contains LH Blade and RH Blade with Lift Tab Kit.

MOWER BLADE USAGE CHART

Year	Description	Model	Blade (One) #112560	Blade Kit #107983	Blade Kit #109079	Blade Kit #106635	Blade Kit #106636	Blade Kit #106637	Blade Kit #117192	Blade (One) #113579	Blade (One) #112947	Blade (One) #67-0200	Blade (One) #33-4750	Blade (One) #57-4700	Blade (One) #54-0010	Blade (One) #27-0090	Blade Kit #121020
1989	30" SIDE DISCHARGE	STD 200-SERIES	x (1)														
	36" SIDE DISCHARGE	35-36RL01		X													
	37" SIDE DISCHARGE	05-37SC01			X(3)(5)												
	37" SIDE DISCHARGE	35-37SL01			X(3)(5)												
	37" SIDE DISCHARGE	05-37SK01			X(3)(5)												
	42" REAR DISCHARGE	15-42RC01				X											
	42" SIDE DISCHARGE	15-42SC01					X										
	42" REAR DISCHARGE	05-42BK01				X											
	42" SIDE DISCHARGE	05-42SK01					X										
	42" SIDE DISCHARGE	05-42SY01							X								
	48" SIDE DISCHARGE	15-48SC01						X									
	50" SIDE DISCHARGE	C5-50ZS01								X							
	60" SIDE DISCHARGE	C5-60SC01									x (6)						
	60" SIDE DISCHARGE	C5-60ZS01									x (6)						
1990	25" SIDE DISCHARGE	STD 8-25 MODELS										X					
	32" SIDE DISCHARGE	STD 8-32 MODELS											X				
	38" SIDE DISCHARGE	55650												X			
	44" SIDE DISCHARGE	55660													X		
	52" SIDE DISCHARGE	55670														X	
	30" SIDE DISCHARGE	35-30SL01	x (1)														
	36" REAR DISCHARGE	35-36RL02		X													
	37" SIDE DISCHARGE	35-37SL02			x (3)(5)												
	36" REAR DISCHARGE	05-36MR04		X													
	37" SIDE DISCHARGE	05-37SC01			X(3)(5)												
	37" SIDE DISCHARGE	05-37SC02			X(3)(5)												
	42" REAR DISCHARGE	15-42RC01				X											
	42" REAR DISCHARGE	05-42RY01															X
	42" SIDE DISCHARGE	05-42SY01							X								
	42" SIDE DISCHARGE	15-42SC02					X										
	48" SIDE DISCHARGE	15-48SC02						X									
	50" SIDE DISCHARGE	C5-50ZS01								X							
	60" SIDE DISCHARGE	C5-60SC01									x (6)						
	60" SIDE DISCHARGE	C5-60ZS01									x (6)						

(1) When mower is used with Rear Grass Bagger, install Lift Tab #110974 and mower Ring Plates.

(3) Blade Kit #109079 contains 2 Standard Blades. When Mower is used with Rear Grass Bagger, RH Blade is replaced with #115083 High-Lift Blade. Replacement Lift Tab Kit for this Blade is #105194.

(5) Bagger Kit #115084 contains LH Blade and RH Blade with Lift Tab Kit.

(6) Wet Grass Blade #78-2480 (one).

(2) Blade Kit #109078 contains 2 Standard Blades. When Mower is used with Rear Grass Bagger, RH Blade is replaced with #108684 High-Lift Blade and LH Blade with #109106.

(4) Bagger Kit #112397 contains LH Blade and RH Blade with Lift Tab Kit.

MOWER BLADE USAGE CHART 1991-1992

YEAR	DESCRIPTION	VIN/MODEL#	BLADE KIT	YEAR	DESCRIPTION	VIN/MODEL#	BLADE KIT
1991	25" Recycler® Mower	8-25 RER	80-4530 <small>(one)</small>	1992	25" Recycler® Mower	8-25 RER	80-4530 <small>(one)</small>
	32" Recycler® Mower	32" RER's	80-4430 <small>(one)</small>		32" Recycler® Mower	32" RER's	80-4430 <small>(one)</small>
	30" Side Discharge	35-30SL02	112560 <small>(one) 1</small>		30" Side Discharge	35-30SL02	112560 <small>(one)</small>
	36" Side Discharge	35-36RL03	107983		36" Rear Discharge	35-36RL03	107983
	38" Side Discharge	05-38SL01	57-4700 <small>(one)</small>		38" Side Discharge	05-38SL02	57-4700 <small>(one)</small>
	32" Recycler® Mower	R5-38SL01	14-7799		38" Recycler® Mower	R5-38SL02	14-7799
	38" Side Discharge	05-38SS01	57-4700		38" Side Discharge	05-38SS02	57-4700 <small>(one)</small>
	38" Recycler® Mower	R5-38SS01	14-7799 <small>(one)</small>		38" Recycler® Mower	R5-38SS02	14-7799
	42" Side Discharge	05-42SS01	106636		42" Side Discharge	05-42SS02	106636
	36" Rear Discharge	05-36MR05	107983		48" Side Discharge	05-48SS01	106637
	37" Side Discharge	05-37SC03	109079 ^{3,5}		36" Rear Discharge	05-36MR05	107983
	42" Rear Discharge	15-42RC01	106635		37" Side Discharge	05-37SC03	109079 ^{3,5}
	42" Recycler® Mower	R5-42RC01	14-4879		42" Rear Discharge	15-42RC01	106635
	42" Side Discharge	15-42SC03	106636		42" Recycler® Mower	R5-42RC01	14-4879
	48" Side Discharge	15-48SC03	106637		42" Side Discharge	15-42SC03	106636
60" Side Discharge	C5-60SC03	112947 <small>(one) 7</small>	48" Side Discharge	15-48SC03	106637		
			60" Side Discharge	C5-60SC04	112947 <small>(one) 7</small>		

** See Blade Usage Chart 1999 for footnotes.

MOWER BLADE USAGE CHART 1993 - 1994

YEAR	DESCRIPTION	VIN/MODEL#	BLADE KIT	YEAR	DESCRIPTION	VIN/MODEL#	BLADE KIT
1993	25" Recycler® Mower	8-25 RER	80-4530 <small>(one)</small>	1994	25" Recycler® Mower	8-25 RER	80-4530 <small>(one)</small>
	32" Recycler® Mower	32" RER's	80-4430 <small>(one)</small>		32" Recycler® Mower	32" RER's	80-4430 <small>(one)</small>
	32" Side Discharge	XL Tractor	33-4750 <small>(one)</small>		32" Side Discharge	XL Tractor	33-4750 <small>(one)</small>
	38" Recycler® Mower	XL Tractor	14-7799		38" Recycler® Mower	XL Tractor	14-7799
	38" Side Discharge	78215	57-4700 <small>(one)</small>		38" Side Discharge	78215/78216	57-4700 <small>(one)</small>
	38" Recycler® Mower	78225	14-7799		38" Recycler® Mower	78226	14-7799
	42" Side Discharge	78230	106636		42" Side Discharge	78230/78231	106636
	48" Side Discharge	78260	106637		48" Side Discharge	78260	106637
	36" Rear Discharge	05-36MR05	107983 ^{3,5}		36" Rear Discharge	78305	107983
	37" Side Discharge	05-37SC03	109079		37" Side Discharge	78315	109079 ^{3,5}
	42" Rear Discharge	78350	106635		42" Rear Discharge	78350	106635
	42" Recycler® Mower	78355	14-4879		42" Recycler® Mower	78355	14-4879
	42" Side Discharge	78345	106636		42" Side Discharge	78345	106636
	48" Side Discharge	78360	106637		48" Side Discharge	78360	106637
60" Side Discharge	78390	112947 <small>(one) 7</small>	60" Side Discharge	78390	112947 <small>(one) 7</small>		

** See Blade Usage Chart 1999 for footnotes.

MOWER BLADE USAGE CHART 1995 -1996

YEAR	DESCRIPTION	VIN/MODEL#	BLADE KIT	YEAR	DESCRIPTION	VIN/MODEL#	BLADE KIT
1995	25" Recycler® Mower	8-25 RER	80-4530 (one)	1996	25" Recycler® Mower	8-25 RER	80-4530 (one)
	32" Recycler® Mower	32" RER's	80-4430 (one)		32" Recycler® Mower	32" RER's	80-4430 (one)
	32" Side Discharge	XL Tractor	33-4750 (one)		32" Side Discharge	XL Tractor	33-4750
	38" Recycler® Mower	79105	14-7799		38" Recycler® Mower	XL Tractor	14-7799
	44" Recycler® Mower	79108	92-7952 (one) ⁶		44" Recycler Mower	79105	92-7952 (one) ⁶
	38" Side Discharge	78216	57-4700 (one)		38" Side Discharge	78216	57-4700 (one)
	38" Recycler® Mower	78226	14-7799		38" Recycler® Mower	78226	14-7799
	42" Side Discharge	78231	106636		42" Side Discharge	78231	106636
	48" Side Discharge	78260	106637		48" Side Discharge	78260	106637
	36" Rear Discharge	78305	107983 ^{3,5}		52" Side Discharge	78280	27-0990 (one)
	37" Side Discharge	78315	109079		52" Recycler® Mower	78285	92-7961 (one)
	42" Rear Discharge	78350	106635		36" Rear Discharge	78305	107983
	42" Recycler® Mower	78355	14-4879		37" Side Discharge	78315	109079 ^{3,5}
	42" Side Discharge	78345	106636		42" Rear Discharge	78350	106635
	48" Side Discharge	78360	106637		42" Side Discharge	78345	106636
	60" Side Discharge	78390	112947 (one) ⁷		42" Recycler® Mower	78355	14-4879
			48" Side Discharge	78360	106637		
			60" Side Discharge	78390	112947 (one) ⁷		

** See Blade Usage Chart 1999 for footnotes.

MOWER BLADE USAGE CHART 1997-1998

YEAR	DESCRIPTION	VIN/MODEL#	BLADE KIT	YEAR	DESCRIPTION	VIN/MODEL#	BLADE KIT
1997	25" Recycler® Mower	8-25 RER	80-4530 <small>(one)</small>	1998	25" Recycler® Mower	8-25 RER	80-4530 <small>(one)</small>
	32" Recycler® Mower	32" RER's	80-4430 <small>(one)</small>		32" Recycler® Mower	12-32 RER	80-4430 <small>(one)</small>
	32" Side Discharge	XL Tractor	33-4750		32" Side Discharge	XL Tractor	33-4750
	38" Recycler® Mower	XL Tractor	14-7799		38" Recycler® Mower	XL Tractor	14-7799
	44" Recycler Mower	79108	92-7952 <small>(one)</small> ⁶		44" Recycler® Mower	79108	92-7952 <small>(one)</small> ⁶
	38" Side Discharge	78216	57-4700 <small>(one)</small>		38" Side Discharge	78216	57-4700 <small>(one)</small>
	38" Recycler® Mower	78226	14-7799		38" Recycler® Mower	78226	14-7799
	42" Side Discharge	78231	106636		42" Side Discharge	78231	106636
	48" Side Discharge	78260	106637		48" Side Discharge	78261	106637
	48" Recycler® Mower	78265	94-9776		48" Recycler® Mower	78265	94-9776
	52" Side Discharge	78280	27-0990 <small>(one)</small>		52" Side Discharge	78280	27-0990 <small>(one)</small>
	52" Recycler® Mower	78285	92-7961 <small>(one)</small>		52" Recycler® Mower	78285	92-7961 <small>(one)</small>
	36" Rear Discharge	78305	107983		36" Rear Discharge, GT	78305	107983
	37" Side Discharge	78315	109079 ^{3,5}		37" Side Discharge, GT	78315	109079 ^{3,5}
	42" Rear Discharge	78350	106635		42" Rear Discharge, GT	78350	106635
	42" Side Discharge	78345	106636		42" Side Discharge, GT	78345	106636
	42" Recycler® Mower	78355	14-4879		42" Recycler® Mower, GT	78355	14-4879
	48" Side Discharge	78360	106637		48" Side Discharge, GT	78361	106637
	48" Recycler® Mower	78365	94-9776		48" Recycler® Mower, GT	78365	94-9776
	60" Side Discharge	78390	112947 <small>(one)</small> ⁷		42" Rear Discharge, 5xi	78353	106635
			44" Side Discharge, 5xi	78357	54-0010 <small>(one)</small> ⁶		
			44" Recycler® Mower, 5xi	78358	92-7952 <small>(one)</small>		
			48" Side Discharge, 5xi	78363	106637		
			48" Recycler® Mower, 5xi	78364	94-9776		
			52" Side Discharge, 5xi	78370	27-0990 <small>(one)</small>		
			52" Recycler® Mower, 5xi	78375	92-7961 <small>(one)</small>		
			60" Side Discharge, 5xi	78395	112947 <small>(one)</small> ⁷		

** See Blade Usage Chart 1999 for footnotes.

MOWER BLADE USAGE CHART 1999

YEAR	DESCRIPTION	VIN/MODEL#	BLADE KIT
1999	25" Recycler® Mower	8-25 RER	80-4530 (one)
	32" Recycler® Mower	12-32 RER	80-4430 (one)
	32" Side Discharge	XL Tractor	33-4750
	38" Recycler® Mower	XL Tractor	14-7799
	44" Recycler® Mower	79108	92-7952 (one) ⁶
	38" Side Discharge	78216	57-4700 (one)
	42" Side Discharge	78231	106636
	48" Side Discharge	78261	106637
	52" Side Discharge	78280	27-0990 (one)
	36" Rear Discharge, GT	78305	107983
	42" Rear Discharge, GT	78350	106635
	42" Side Discharge, GT	78345	14-4879
	48" Side Discharge, GT	78361	106637
	42" Rear Discharge, 5xi	78353	106635
	44" Side Discharge, 5xi	78357	54-0010 (one) ⁶
	48" Side Discharge, 5xi	78363	106637
	52" Side Discharge, 5xi	78370	27-0990 (one)
	60" Side Discharge, 5xi	78395	112947 (one) ⁷

1. When mower is used with Rear Grass Bagger, install Lift Tab Kit #110974 and mower Ring Plates.

3. Blade kit #109079 contains 2 standard blades. When mower is used with Rear Grass Bagger, RH blade is replaced with #115083 high lift blade.

Replacement lift, tab kit for this blade is #105194.

5. Rear Bagger Blade Kit #115084 contains standard LH blade and high lift RH blade with #105194 lift tab kit.

6. Standard side discharge blade #54-0010 (one). High life blade for Vac/Bagger application #55-4940.

7. Wet grass blade #78-2480 (one).

**MOWER SPINDLE & DRIVE BELT
USAGE CHART
1977 thru 1979**

SPINDLE BELT							ROTARY MOWER YEAR AND MODEL	MOWER DRIVE BELT									
106516	106125	105621	106751	8411	6738	1594		102741	102742	102868	105477	110141	106533	107230	107298	107647	108834
							1979	95-32MS01							X		
								95-32XS01								X	
				X				95-36YR01, 02						X			
			X					95-36XR00, 01; 95-36XS00, 01					X				
				X				95-36MR00, 01; 95-36MS00, 01	X								
X								95-42XR01, 02				X					
	X							95-42MR01, 02									X
					X			95-42MS00, 01		X ⁽¹⁾							
						X		95-48MS00, 01		X							
						X		95-48XS00, 01			X						
		X						95-60XS01									
			X				1978	85-36XR01, 85-36XS01					X				
				X				85-36MR01, 85-36MS01	X								
X								85-42XR01				X					
	X							85-42MR01									X
					X			85-42MS01		X ⁽¹⁾							
						X		85-48MS01		X							
						X		85-48XS01			X						
		X						85-60XS01									
			X				1977	75-36MR01, 02; 75-36XS01, 02				X					
				X				75-36XR01, 02; 75-36MS01, 02	X								
X								75-42MR01, 02	X								
					X			75-42MS01, 02		X							
						X		75-48MS01, 02		X							
						X		75-48XS01, 02			X						
		X						65-60XS02									

(1) If used with Front Mower Carrier:
 Single Cylinder Engine — Use Drive Belt #109956.
 Twin Cylinder Engine — Use Drive Belt #102742.

**MOWER SPINDLE & DRIVE BELT
USAGE CHART
1980 thru 1982**

SPINDLE BELT											ROTARY MOWER YEAR AND MODEL	MOWER DRIVE BELT													
109909	109640	108195	106751	106516	106125	105621	8430	8411	6738	1594		102741	102742	102868	106533	108196	108491	108492	108503	108834	109807	109908	110082	110141	
											1980	05-32MS01						X							
												05-32XS01												X	
								X				05-36MR01, 05-36MS01	X												
		X										05-36XR01, 05-36XS01				X									
								X				05-36YR01						X							
					X							05-42MR01												X	
				X								05-42XR01													X
									X			05-42MS01		X (2)											
										X		05-48MS01		X											
										X		05-48XS01			X										
							X					95-60XS01													
											1981	05-32MS01						X							
												05-32XS02												X	
							X					05-32YS01				X									
								X				05-36MR01, 05-36MS01	X												
		X										05-36XR01, 05-36XS01				X									
								X				05-36YR01						X							
		X										05-37MS01					X (1)								
					X							05-42MR01												X	
				X								05-42XR01													X
									X			05-42MS02		X (2)											
										X		05-48MS02		X											
										X		05-48XS02			X										
							X					95-60XS01													
								X			1982	05-32YS01					X								
												23-05BP01, 23-088P01, 23-11BP01						X							
		X										A2-083201					X								
												A3-053201, A3-083201						X							
								X				05-36MR01, 05-36MS01	X												
			X									05-36XR01				X									
								X				23-11BX01						X							
		X										05-37MS01, A2-113701, A2-163701					X (1)								
					X							05-42MR01												X	
									X			05-42MS02, A1-114201, A1-164201		X (2)											
				X								05-42SB01, 05-42XR02, A2-164201													X
										X		05-48MS02, A1-184801		X											
										X		05-48Y01											X (3)		
										X		05-48XS02			X										
X												05-60SC01												X	

(1) If converted per Service Bulletin #340, use shorter Drive Belt #110082.

(2) If used with Front Mower Carrier:
Single Cylinder Engine — Use Drive Belt #109956.
Twin Cylinder Engine — Use Drive Belt #102742.

(3) If used with Front Mower Carrier, use Drive Belt #110138

MOWER SPINDLE & DRIVE BELT USAGE CHART 1983 & 1984

SPINDLE BELT										ROTARY MOWER YEAR AND MODEL	MOWER DRIVE BELT												
109909	109640	108195	106751	106516	106125	8430	8411	6738	1594		102741	102742	106533	108196	108491	108492	108503	108834	109907	109908	110082	110141	
										1983	05-32XS02						X						
						X					05-32YS01			X									
											23-08BP02, 23-11BP02				X								
X											A5-32SB02			X									
							X				05-36MR02, 05-36MS02	X											
			X								05-36XR02, A5-36XR02			X									
							X				05-36YR01, 23-08BX01					X							
		X									05-37MS02, A5-37MS02											X	
					X						05-42MR01							X					
								X			05-42MS02, A5-42MS02		X (1)										
				X							05-42SB01, 05-42XR02												X
									X		05-48MS02, A5-42MS02		X										
									X		05-48SY01									X (2)			
X											05-60SC01										X		
										1984	23-08BP03, 23-11BP03				X								
X											0532SB03			X									
							X				05-36MR02	X											
			X								05-36XR02			X									
		X									05-37MS03											X	
					X						05-42MS02							X					
								X			05-42MS03		X (1)										
				X							05-42SB02, 05-42XR03												X
									X		05-48MS03		X										
									X		05-48SY02									X (2)			
X											05-60SC01										X		

(1) If used with Front Mower Carrier:
Single Cylinder Engine — Use Drive Belt #109956.
Twin Cylinder Engine — Use Drive Belt #102742.

(2) If used with Front Mower Carrier, use Drive Belt #110138.

MOWER SPINDLE & DRIVE BELT USAGE CHART 1991-1992

YEAR	DESCRIPTION	VIN/MODEL#	SPINDLE DRIVE BELT	MOWER DRIVE BELT	YEAR	DESCRIPTION	VIN/MODEL#	SPINDLE DRIVE BELT	MOWER DRIVE BELT
1991					1992				
	25" Recycler® Mower	8-25 RER	NA	67-1390		25" Recycler® Mower	8-25 RER	NA	67-1390
	32" Recycler® Mower	32" RER's	NA	47-1410		32" Recycler® Mower	32" RER's	NA	47-1410
	30" Side Discharge	35-30SL02	NA	114421		30" Side Discharge	35-30SL02	NA	114421
	36" Side Discharge	35-36RL03	NA	113169		36" Rear Discharge	35-36RL03	NA	113169
	38" Side Discharge	05-38SL01	NA	121330		38" Side Discharge	05-38SL02	NA	121330
	38" Recycler® Mower	R5-38SL01	NA	121330		38" Recycler® Mower	R5-38SL02	NA	121330
	38" Side Discharge	05-38SS01	NA	79-5980		38" Side Discharge	05-38SS02	NA	79-5980
	38" Recycler® Mower	R5-38SS01	NA	79-5980		38" Recycler® Mower	R5-38SS02	NA	79-5980
	42" Side Discharge	05-42SS01	NA	92-6991		42" Side Discharge	05-42SS02	NA	92-6991
	36" Rear Discharge	05-36MR05	8411	102741		48" Side Discharge	05-48SS01	NA	92-6958
	37" Side Discharge	05-37SC03	NA	110265		36" Rear Discharge	05-36MR05	8411	102741
	42" Rear Discharge	15-42RC01	106125	108834		37" Side Discharge	05-37SC03	NA	110265
	42" Recycler® Mower	R5-42RC01	106125	108834		42" Rear Discharge	15-42RC01	106125	108834
	42" Side Discharge	15-42SC03	6738	102742		42" Recycler® Mower	R5-42RC01	106125	108834
	48" Side Discharge	15-48SC03	1594	102742		42" Side Discharge	15-42SC03	6738	102742
	60" Side Discharge	C5-60SC03	112449	113072		48" Side Discharge	15-48SC03	1594	102742
						60" Side Discharge	C5-60SC04	112449	113072

MOWER SPINDLE & DRIVE BELT USAGE CHART 1993-1994

YEAR	DESCRIPTION	VIN/MODEL#	SPINDLE DRIVE BELT	MOWER DRIVE BELT	YEAR	DESCRIPTION	VIN/MODEL#	SPINDLE DRIVE BELT	MOWER DRIVE BELT
1993					1994				
	25" Recycler® Mower	8-25 RER	NA	67-1390		25" Recycler® Mower	8-25 RER	NA	67-1390
	32" Recycler® Mower	32" RER's	NA	47-1420		32" Recycler® Mower	32" RER's	NA	47-1420
	32" Side Discharge	XL Tractor	NA	88-6260		32" Side Discharge	XL Tractor	NA	88-6260
	38" Recycler® Mower	XL Tractor	NA	88-6250		38" Recycler® Mower	XL Tractor	NA	88-6250
	38" Side Discharge	78215	NA	79-5980		38" Side Discharge	78215/78216	NA	79-5980
	38" Recycler® Mower	78225	NA	79-5980		38" Recycler® Mower	78226	NA	79-5980
	42" Side Discharge	78230	NA	92-6991		42" Side Discharge	78230/78231	NA	92-6991
	48" Side Discharge	78260	NA	92-6958		48" Side Discharge	78260	NA	92-6958
	36" Rear Discharge	05-36MR05	8411	102741		36" Rear Discharge	78305	8411	102741
	37" Side Discharge	05-37SC03	NA	110265		37" Side Discharge	78315	NA	110265
	42" Rear Discharge	78350	106125	108834		42" Rear Discharge	78350	106125	108834
	42" Recycler® Mower	78355	106125	108334		42" Recycler® Mower	78355	106125	108334
	42" Side Discharge	78345	6738	102742		42" Side Discharge	78345	6738	102742
	48" Side Discharge	78360	1594	102742		48" Side Discharge	78360	1594	102742
	60" Side Discharge	78390	112449	113072		60" Side Discharge	78390	112449	113072

MOWER SPINDLE & DRIVE BELT USAGE CHART 1995-1996

YEAR	DESCRIPTION	VIN/MODEL#	SPINDLE DRIVE BELT	MOWER DRIVE BELT	YEAR	DESCRIPTION	VIN/MODEL#	SPINDLE DRIVE BELT	MOWER DRIVE BELT
1995					1996				
	25" Recycler® Mower	8-25 RER	NA	67-1390		25" Recycler® Mower	8-25 RER	NA	67-1390
	32" Recycler® Mower	32" RER's	NA	47-1420		32" Recycler® Mower	32" RER's	NA	47-1420
	32" Side Discharge	XL Tractor	NA	88-6260		32" Side Discharge	XL Tractor	NA	88-6260
	38" Recycler® Mower	XL Tractor	NA	88-6250		38" Recycler® Mower	XL Tractor	NA	88-6250
	44" Recycler® Mower	79105	NA	93-3884		44" Recycler® Mower	79105	NA	93-3884
	38" Side Discharge	78216	NA	79-5980		38" Side Discharge	78216	NA	79-5980
	38" Recycler® Mower	78226	NA	79-5980		38" Recycler® Mower	78226	NA	79-5980
	42" Side Discharge	78231	NA	92-6991		42" Side Discharge	78231	NA	92-6991
	48" Side Discharge	78260	NA	92-6958		48" Side Discharge	78260	NA	92-6958
	36" Rear Discharge	78305	8411	102741		52" Side Discharge	78280	102742	94-4399
	37" Side Discharge	78315	NA	110265		52" Recycler® Mower	78285	102742	94-4399
	42" Rear Discharge	78350	106125	108834		36" Rear Discharge	78305	8411	102741
	42" Recycler® Mower	78355	106125	108834		37" Side Discharge	78315	NA	110265
	42" Side Discharge	78345	6738	102742		42" Rear Discharge	78350	106125	108834
	48" Side Discharge	78360	1594	102742		42" Side Discharge	78345	106125	108834
	60" Side Discharge	78390	112449	113072		42" Recycler® Mower	78355	6738	102742
						48" Side Discharge	78360	1594	102742
						60" Side Discharge	78390	112449	113072

MOWER SPINDLE & DRIVE BELT USAGE CHART 1997-1998

YEAR	DESCRIPTION	VIN/MODEL#	SPINDLE DRIVE BELT	MOWER DRIVE BELT	YEAR	DESCRIPTION	VIN/MODEL#	SPINDLE DRIVE BELT	MOWER DRIVE BELT
1997					1998				
	25" Recycler® Mower	8-25 RER	NA	67-1390		25" Recycler® Mower	8-25 RER	NA	67-1390
	32" Recycler® Mower	32" RER's	NA	47-1420		32" Recycler® Mower	12-32 RER	NA	47-1420
	32" Side Discharge	XL Tractor	NA	88-6260		32" Side Discharge	XL Tractor	NA	88-6280
	38" Recycler® Mower	XL Tractor	NA	88-6250		38" Recycler® Mower	XL Tractor	NA	88-6250
	44" Recycler® Mower	79108	NA	93-3884		44" Recycler® Mower	79108	NA	93-3884
	38" Side Discharge	78216	NA	79-5980		38" Side Discharge	78216	NA	79-5980
	38" Recycler® Mower	78226	NA	79-5980		38" Recycler® Mower	78226	NA	79-5980
	42" Side Discharge	78231	NA	92-6991		42" Side Discharge	78231	NA	92-6991
	48" Side Discharge	78260	NA	92-6958		48" Side Discharge	78261	NA	92-6958
	48" Recycler® Mower	78265	NA	92-6958		48" Recycler® Mower	78265	NA	92-6958
	52" Side Discharge	78280	102742	94-4399		52" Side Discharge	78280	102742	94-4399
	52" Recycler® Mower	78285	102742	94-4399		52" Recycler® Mower	78285	102742	94-4399
	36" Rear Discharge	78305	8411	102741		36" Rear Discharge, GT	78305	8411	102741
	37" Side Discharge	78315	NA	110265		37" Side Discharge, GT	78315	NA	110265
	42" Rear Discharge	78350	106125	108834		42" Rear Discharge, GT	78350	106125	108834
	42" Side Discharge	78345	106125	108834		42" Side Discharge, GT	78345	106125	108834
	42" Recycler® Mower	78355	6738	102742		42" Recycler® Mower, GT	78355	6738	102742
	48" Side Discharge	78360	1594	102742		48" Side Discharge, GT	78361	1594	102742
	48" Recycler® Mower	78365	1594	102742		48" Recycler® Mower, GT	78365	1594	102742
	60" Side Discharge	78390	112449	113072		42" Rear Discharge, 5xi	78353	95-4230	95-4093
						44" Side Discharge, 5xi	78357	95-4228	95-4094
						44" Recycler® Mower, 5xi	78358	95-4228	95-4094
						48" Side Discharge, 5xi	78363	95-3878	95-4095
						48" Recycler® Mower, 5xi	78364	95-3878	95-4095
						52" Side Discharge, 5xi	78370	95-2501	95-4094
						52" Recycler® Mower, 5xi	78375	95-2501	95-4094
						60" Side Discharge, 5xi	78395	95-4229	95-4093

MOWER SPINDLE & DRIVE BELT USAGE CHART 1999

YEAR	DESCRIPTION	VIN/MODEL#	SPINDLE DRIVE BELT	MOWER DRIVE BELT
1999				
	25" Recycler® Mower	8-25 RER	NA	67-1390
	32" Recycler® Mower	12-32 RER	NA	47-1420
	32" Side Discharge	XL Tractor	NA	88-6260
	38" Recycler® Mower	XL Tractor	NA	88-6250
	44" Recycler® Mower	79108	NA	93-3884
	38" Side Discharge	78216	NA	79-5980
	42" Side Discharge	78231	NA	92-6991
	48" Side Discharge	78261	NA	92-6958
	52" Side Discharge	78280	102742	94-4399
	36" Rear Discharge, GT	78305	8411	102741
	42" Rear Discharge, GT	78350	106125	108834
	42" Side Discharge, GT	78345	106125	108834
	48" Side Discharge, GT	78361	1594	102742
	42" Rear Discharge, 5xi	78353	95-4230	95-4093
	44" Side Discharge, 5xi	78357	95-4228	95-4094
	48" Side Discharge, 5xi	78363	95-3878	95-4095
	52" Side Discharge, 5xi	78370	94-2501	95-4094
	60" Side Discharge, 5xi	78395	95-4229	95-4093

DRIVE BELT CHART BY PART NUMBER - SECTION - LENGTH

Part Number	Section	Length In Inches	Part Number	Section	Length In Inches
806	AX	28.56	1595	4L	66.95
1550	4L	41.90	1596	4L	51.00
1552	4L	37.00	1597	Use 103345	
1553	4L/A	36.00	1598	4L	22.00
1554	4L/A	24.00	1599	HA	139.00
1555	Use 113912		2539	3L	34.00
1556	4L	20.00	4535	Use 7478	
1558	4L	21.00	5950 *	4L	28.40
1559	4L	27.00	6146	Use 8005	
1560	Use 1589		6489	Use 7927	
1561	4L	30.00	6506	4L	31.91
1562	4L	88.00	6551	3L	30.50
1563	4L	39.00	6552	3L	30.07
1564	4L	18.90	6573	4L	38.00
1566	4L	35.00	6737	Use 9782	
1567	4L	29.00	6738	HA/4L	86.00
1568	4L	29.50	6771	Use 9783	
1569	4L	28.95	6993	4L	22.00
1570	4L/A	69.00	7041	4L	72.00
1571	4L	32.00	7358	4L	65.95
1572	4L	34.00	7430	4L	28.00
1573	Use 1561		7473	HB/5L	81.95
1574	Use 517439		7478	HB/5L	84.22
1575	A	26.00	7776	4L	87.00
1576	Use 9691		7831	3L	26.00
1577	Use 7430		7832	4L	51.65
1578 *	3L	37.00	7927	4L	78.00
1579	Use 1554		8005	4L	72.00
1580 *	4L	31.00	8133	4L	73.80
1581	3L	45.00	8160	B	82.90
1582	4L	74.00	8231	4L	70.00
1583	3L	33.00	8334	B	84.80
1584	3L	51.00	8411	HA/4L	76.94
1585	Use 9714		8412	HA	86.00
1586	Use 9714		8430	4L	59.00
1587	4L	43.00	8687	HA	52.00
1588	A	59.00	8699	HA	103.25
1589	4L	56.50	8911	4L	83.10
1590	3L	43.00	8975	4L	58.00
1591	Use 83-2900		8976	Use 104865	
1592	4L	82.00	9151	5L	90.00
1593	3L	34.40	9360	A	95.63
1594	HA	107.21	9430	4L	36.31

DRIVE BELT CHART BY PART NUMBER - SECTION - LENGTH

Part Number	Section	Length In Inches	Part Number	Section	Length In Inches
9431	4L	39.60	107647	A	69.60
9691	HA	70.00	107662	HA	116.00
9714	HA	76.00	107740	4L	63.00
9750	5L	69.00	107769	HA/4L	89.12
9782	HA	69.00	107813	HA	118.00
9783	HA	71.00	107939	Use 93-9809	
20256	BX	40.80	108195	HA	67.00
30202	5L	79.10	108196	HA	50.30
30203	Use 113625		108427	HA/4L	88.00
50104	5L	31.00	108491	A	67.00
100129	5L	50.00	108492	HA/A	57.50
101137	A	89.00	108501	HB/5L	81.50
101142	HB	79.87	108502	HB/5L	83.00
102607	A	89.12	108503	HA/A	65.25
102741	HA/A	96.60	108834	HA	98.00
102742	HA/A	103.00	108960	HA	88.50
102743	B	66.70	108971	HA	49.50
102868	HA	105.50	109221	Use 115192	
103084	B	37.50	109427	HA	77.00
103345	3L	25.00	109428	HA	76.00
103494	4L	48.20	109640	HA	56.50
103522	HA/A	85.00	109748	HB/5L	87.25
103635	Use 110265		109807	HA	99.10
104290	3L	29.30	109829	HA/4L	151.25
104388	4L	55.00	109908 **	HA	92.12
104496	4L	36.88	109909	HA	117.00
104633	4L	36.00	109956	HA	102.00
104865	4L	54.50	109957	Use 110138	
105476	Use 106751		110037	HB	77.00
105477	4L	40.40	110082	HA	48.50
105621	HB	144.25	110138	HA	111.20
106125	HA	89.03	110141	HA	41.00
106496	HB	85.60	110265	HA	141.00
106516	HA	83.00	110364	Use 113105	
106518	HA/4L	87.12	110376	HA	38.50
106523	Use 110141	41.29	110420	Use 114567	
106533	HA/A	40.06	111178	HA/A	140.50
106751	HA/4L	80.50	111435	A	91.70
107120	B/5L	61.35	111592	HA	116.00
107230	HA	60.10	111624	HA	75.90
107298	4L	72.00	112084	4L	30.00
107636	4L	28.00	112114	HA	40.40
107637	HA	91.00	112448	HA	119.00

DRIVE BELT CHART BY PART NUMBER - SECTION - LENGTH

Part Number	Section	Length In Inches	Part Number	Section	Length In Inches
112449	HB	131.25	79-2500	HB	83.00
112671	HA/A	92.12	79-5980	HA	81.80
113072	A	103.00	79-7480	HA	70.75
113105	A	33.10	79-7490	HA	73.75
113141	Use 121000		83-2900	3L	47.75
113169	HA	116.00	88-6240	4L	95.20
113288	HA	52.60	88-6250	HA	87.20
113303	HA	34.00	88-6260	HA	51.38
113625	5L	105.75	88-6270	4L	96.20
113912	HA	44.00	88-6280	4L	83.94
114200	HA	123.80	92-0870	HA	31.00
114202	HA	125.20	92-6718	Use 92-6954	
114421	HA	53.50	92-6719	Use 92-6955	
114433	HA	83.00	92-6954	HA	88.25
114567	HA	47.91	92-6955	HA	97.50
114718	HA	45.13	92-6958	A	142.70
114833	HA	51.80	92-6991	HA	132.50
114860	HA	93.25	92-7075	A	148.50
114895	HB	82.95	93-3883	HA	88.19
115192	HA	127.00	93-3884	HA	130.00
115968	HA Cog	99.00	93-8007	HA	85.94
116332	HB	64.50	93-9808	HB	82.00
116527	HA	43.25	93-9809	HB	83.50
117950	HA	77.00	94-2501	HA	103.00
121000	HA	75.90	94-2879	HA	131.50
121330	HA	79.25	94-4291	A	99.00
250105 *	HA	40.35	94-4399	HB	74.25
517439	A	33.10	95-3878	HA	102.44
27-1160	AA	103.80	95-3917	B	104.35
47-1410	HA	47.74	95-3918	B	76.50
47-1420	HA	65.56	95-4093	HB	93.98
54-2750	HB	70.00	95-4094	HB	96.72
57-4740	HA	63.35	95-4095	HB	97.54
57-6990	HA	82.04	95-4228	HA	82.04
67-0900	A	40.00	95-4229	HB	131.25
67-1390	Use 98-0710		95-4230	HA	88.85
68-0080	HA	45.00	98-0710	A	51.00
68-2960	HB	72.44	98-3624	A	61.10
78-7100	HB	81.90	98-3674	A	100.10
79-0550	HB	70.00	98-5098	HA	85.94
79-1930	Use 79-5980		98-5098	HA	85.94

Note: * Lengths shown are measured around outside of belt.

* Publication of this chart is NOT authorization for belt substitution.

* Toro Wheel Horse does not warrant or recommend use of any non-Toro Wheel Horse brand belt on any Wheel Horse product.

* Toro Wheel Horse does not warrant any Toro Wheel Horse belt used on any non-Toro Wheel Horse Product.

DRIVE BELT CHART BY SECTION - LENGTH - PART NUMBER

Section	Length In Inches	Part Number	Section	Length In Inches	Part Number
A	26.00	1575	HA	118.00	107813
A	59.00	1588	HA	67.00	108195
A	95.63	9360	HA	50.30	108196
A	89.00	101137	HA	98.00	108834
A	89.12	102607	HA	88.50	108960
A	69.60	107647	HA	49.50	108971
A	67.00	108491	HA	77.00	109427
A	91.70	111435	HA	76.00	109428
A	103.00	113072	HA	56.50	109640
A	33.10	113105	HA	99.10	109807
A	33.10	517439	HA	92.12	109908
A	40.00	67-0900	HA	117.00	109909
A	142.70	92-6958	HA	102.00	109956
A	148.50	92-7075	HA	48.50	110082
A	99.00	94-4291	HA	111.20	110138
A	51.00	98-0710	HA	41.00	110141
A	61.10	98-3624	HA	141.00	110265
A	100.10	98-3674	HA	38.50	110376
AA	103.80	27-1160	HA	116.00	111592
AX	28.56	806	HA	75.90	111624
B	82.90	8160	HA	40.40	112114
B	84.80	8334	HA	119.00	112448
B	66.70	102743	HA	116.00	113169
B	37.50	103084	HA	52.60	113288
B	104.35	95-3917	HA	34.00	113303
B	76.50	95-3918	HA	44.00	113912
B/5L	61.35	107120	HA	123.80	114200
BX	40.80	20256	HA	125.20	114202
HA	107.21	1594	HA	53.50	114421
HA	139.00	1599	HA	83.00	114433
HA	86.00	8412	HA	47.91	114567
HA	52.00	8687	HA	45.13	114718
HA	103.25	8699	HA	51.80	114833
HA	70.00	9691	HA	93.25	114860
HA	76.00	9714	HA	127.00	115192
HA	69.00	9782	HA	43.25	116527
HA	71.00	9783	HA	77.00	117950
HA	105.50	102868	HA	75.90	121000
HA	89.03	106125	HA	79.25	121330
HA	83.00	106516	HA	40.35	250105
HA	60.10	107230	HA	47.74	47-1410
HA	91.00	107637	HA	65.56	47-1420
HA	116.00	107662	HA	63.35	57-4740

DRIVE BELT CHART BY SECTION - LENGTH - PART NUMBER

Section	Length In Inches	Part Number	Section	Length In Inches	Part Number
HA	82.04	57-6990	HB	72.44	68-2960
HA	45.00	68-0080	HB	81.90	78-7100
HA	81.80	79-5980	HB	70.00	79-0550
HA	70.75	79-7480	HB	83.00	79-2500
HA	73.75	79-7490	HB	82.00	93-9808
HA	87.20	88-6250	HB	83.50	93-9809
HA	51.38	88-6260	HB	74.25	94-4399
HA	31.00	92-0870	HB	93.98	95-4093
HA	88.25	92-6954	HB	96.72	95-4094
HA	97.50	92-6955	HB	97.54	95-4095
HA	132.50	92-6991	HB	131.25	95-4229
HA	88.19	93-3883	HB	79.87	101142
HA	130.00	93-3884	HB	77.00	110037
HA	85.94	93-8007	HB/5L	81.95	7473
HA	103.00	94-2501	HB/5L	84.22	7478
HA	131.50	94-2879	HB/5L	81.50	108501
HA	102.44	95-3878	HB/5L	83.00	108502
HA	82.04	95-4228	HB/5L	87.25	109748
HA	88.85	95-4230	3L	37.00	1578
HA	85.94	98-5098	3L	45.00	1581
HA	85.94	98-5098	3L	33.00	1583
HA Cog	99.00	115968	3L	51.00	1584
HA/4L	86.00	6738	3L	43.00	1590
HA/4L	76.94	8411	3L	34.40	1593
HA/4L	87.12	106518	3L	34.00	2539
HA/4L	80.50	106751	3L	30.50	6551
HA/4L	89.12	107769	3L	30.07	6552
HA/4L	88.00	108427	3L	26.00	7831
HA/4L	151.25	109829	3L	25.00	103345
HA/A	96.60	102741	3L	29.30	104290
HA/A	103.00	102742	3L	47.75	83-2900
HA/A	85.00	103522	4L	41.90	1550
HA/A	40.06	106533	4L	37.00	1552
HA/A	57.50	108492	4L	20.00	1556
HA/A	65.25	108503	4L	21.00	1558
HA/A	140.50	111178	4L	27.00	1559
HA/A	92.12	112671	4L	30.00	1561
HB	144.25	105621	4L	88.00	1562
HB	85.60	106496	4L	39.00	1563
HB	131.25	112449	4L	18.90	1564
HB	82.95	114895	4L	35.00	1566
HB	64.50	116332	4L	29.00	1567
HB	70.00	54-2750	4L	29.50	1568

DRIVE BELT CHART BY SECTION - LENGTH - PART NUMBER

Section	Length In Inches	Part Number	Section	Length In Inches	Part Number
4L	28.95	1569	4L	63.00	107740
4L	32.00	1571	4L	30.00	112084
4L	34.00	1572	4L	95.20	88-6240
4L	31.00	1580	4L	96.20	88-6270
4L	74.00	1582	4L	83.94	88-6280
4L	43.00	1587	4L/A	36.00	1553
4L	56.50	1589	4L/A	24.00	1554
4L	82.00	1592	4L/A	69.00	1570
4L	66.95	1595	5L	90.00	9151
4L	51.00	1596	5L	69.00	9750
4L	22.00	1598	5L	79.10	30202
4L	28.40	5950	5L	31.00	50104
4L	31.91	6506	5L	50.00	100129
4L	38.00	6573	5L	105.75	113625
4L	22.00	6993			
4L	72.00	7041			
4L	65.95	7358			
4L	28.00	7430			
4L	87.00	7776			
4L	51.65	7832			
4L	78.00	7927			
4L	72.00	8005			
4L	73.80	8133			
4L	70.00	8231			
4L	59.00	8430			
4L	83.10	8911			
4L	58.00	8975			
4L	36.31	9430			
4L	39.60	9431			
4L	48.20	103494			
4L	55.00	104388			
4L	36.88	104496			
4L	36.00	104633			
4L	54.50	104865			
4L	40.40	105477			
4L	72.00	107298			
4L	28.00	107636			

Note: * Lengths shown are measured around outside of belt.

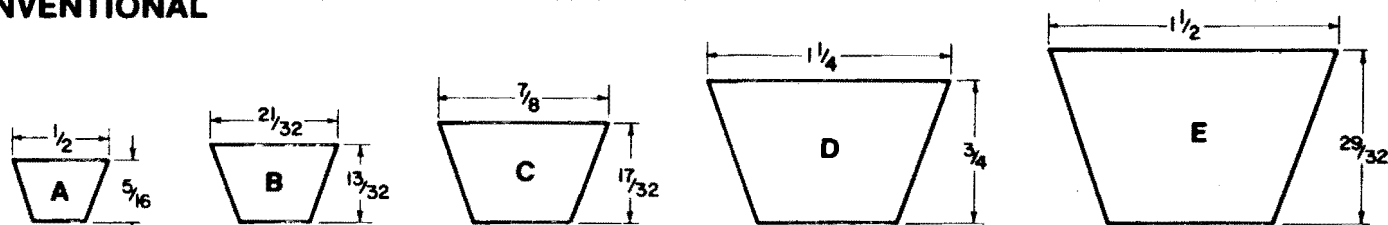
* Publication of this chart is NOT authorization for belt substitution.

* Toro Wheel Horse does not warrant or recommend use of any non-Toro Wheel Horse brand belt on any Wheel Horse product.

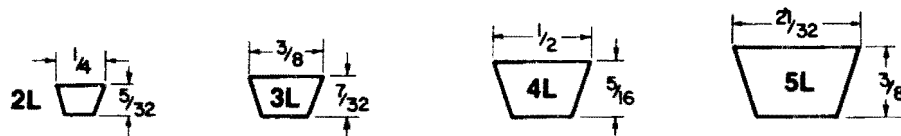
* Toro Wheel Horse does not warrant any Toro Wheel Horse belt used on any non-Toro Wheel Horse Product.

DRIVE BELT CHART
by
TYPE - SECTION - DIMENSION

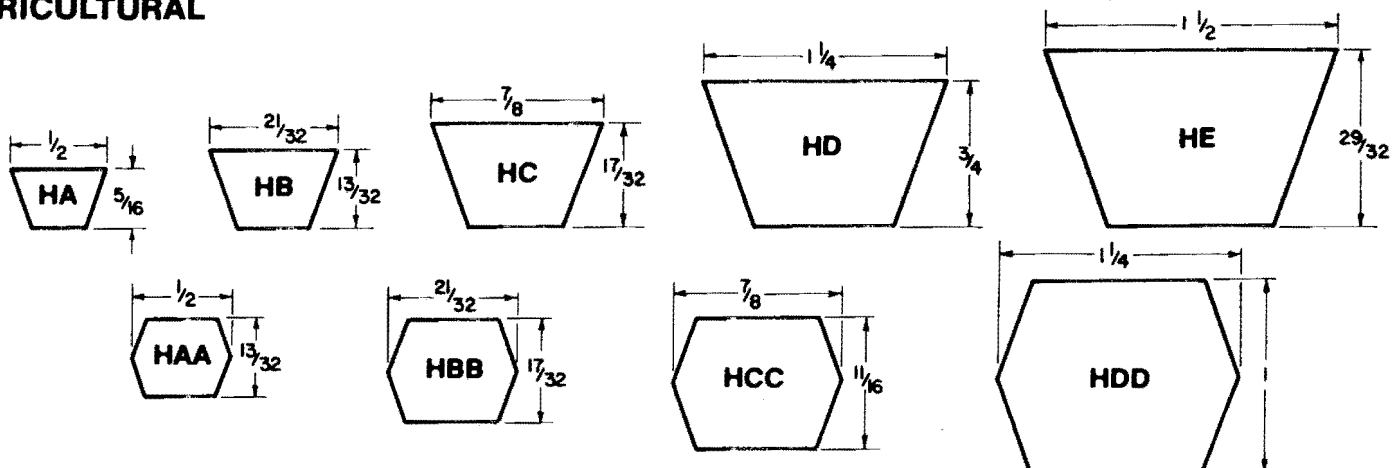
CONVENTIONAL



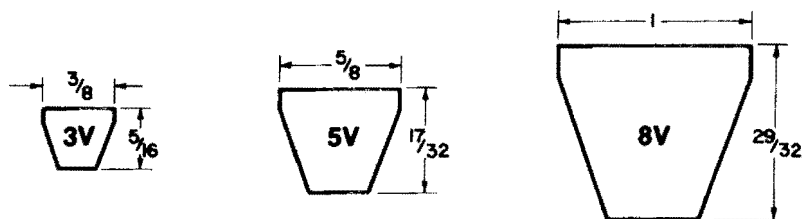
LIGHT DUTY



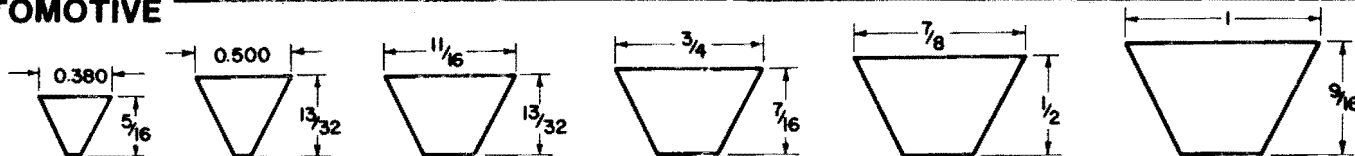
AGRICULTURAL



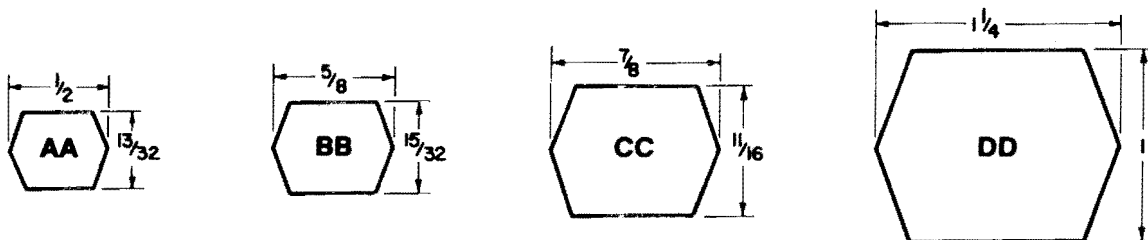
NARROW



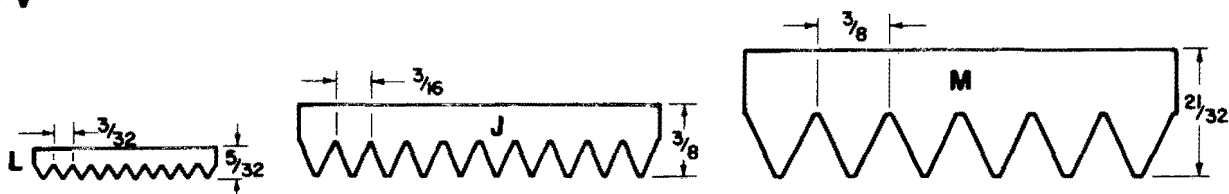
AUTOMOTIVE

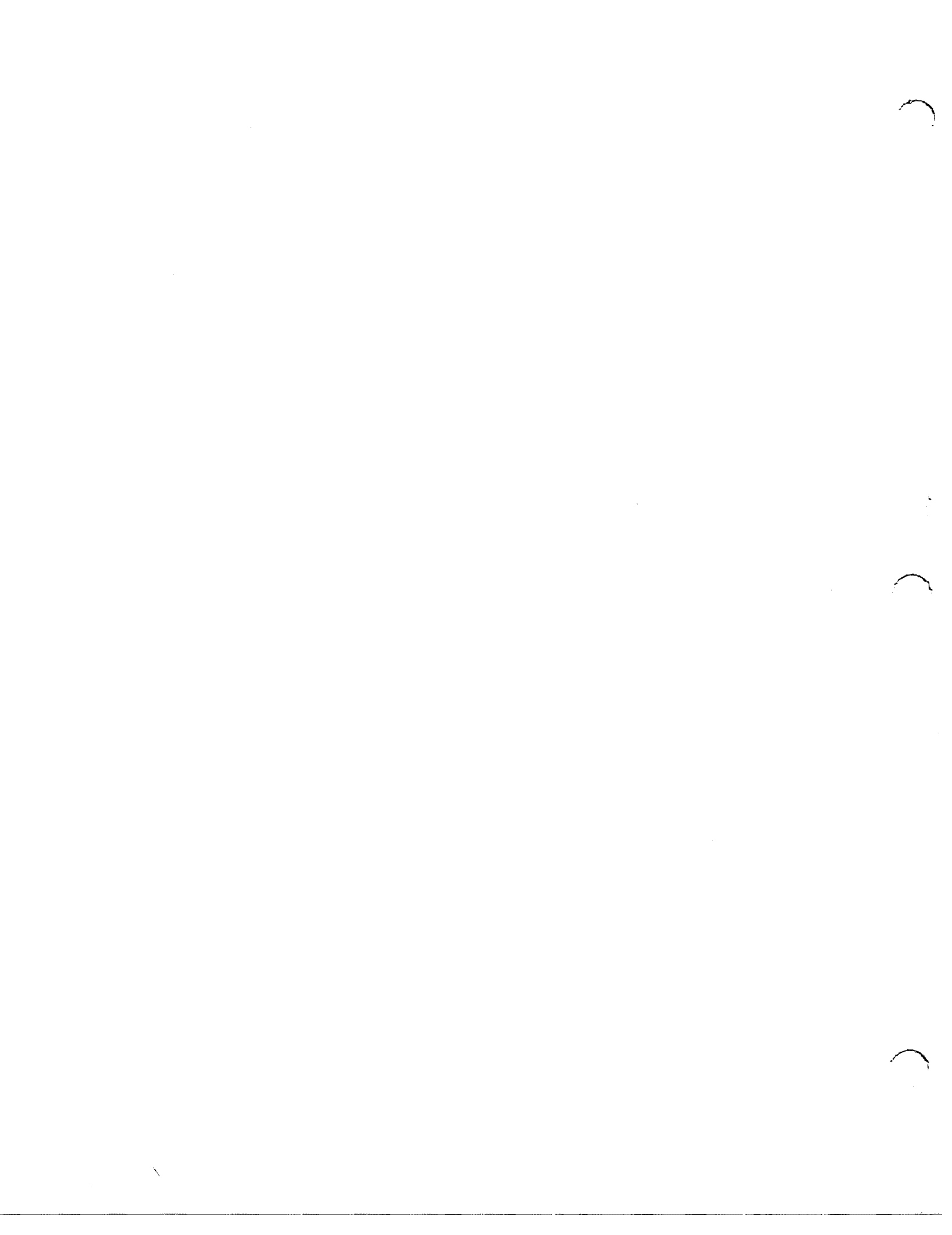


DOUBLE V



RIBBED V





C

C

C

The Toro Company reserves the right
to change product specifications
or this manual without notice.



Wheel Horse.

Tractors & Riding Mowers